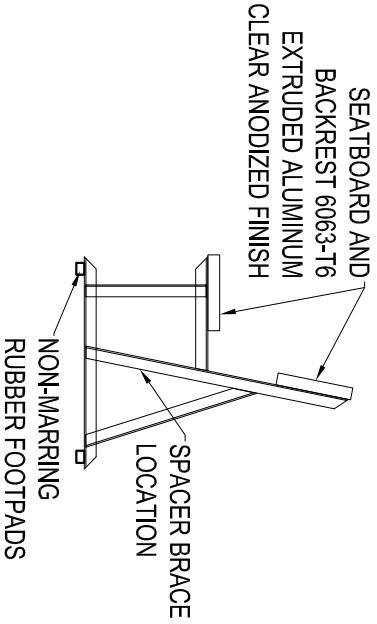


FRONT ELEVATION BL-PB-9BR

SCALE: 1/2" = 1'

1. ALL BENCH SEATS ARE FITTED WITH END CAP CLOSURES AS STANDARD SUPPLY
2. TO BE INSTALLED BY OTHERS

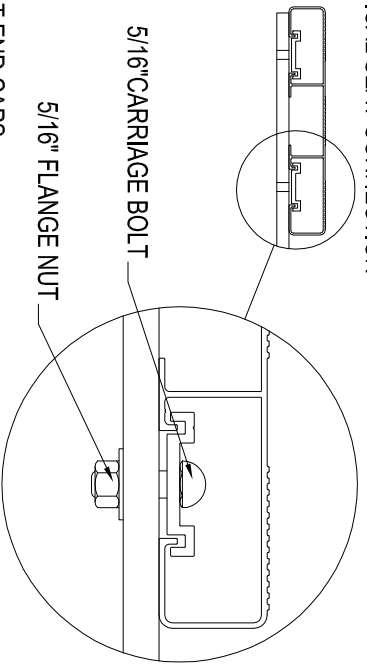


SIDE ELEVATION BL-PB-BR

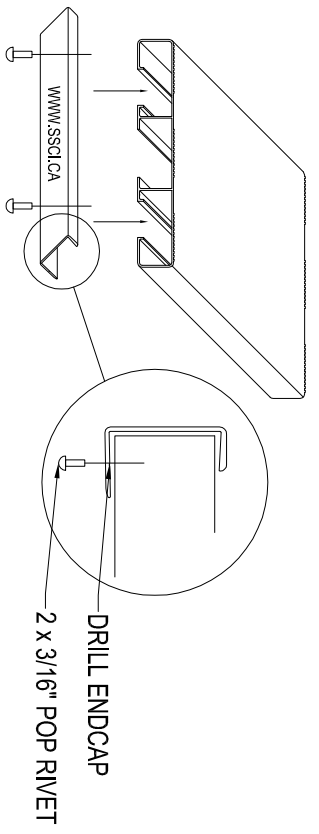
SCALE: 1/2" = 1'

1. INSTALL NON-MARRING RUBBER FOOTPADS ON BENCH POSTS USING 5/16" HARDWARE.
2. INSTALL END CAPS ON BLEACHER PLANKS AS PER DIAGRAM BELOW.
3. SECURE ALUMINUM PLANKS USING 5/16" HARDWARE TO THE STRINGERS. ASSEMBLE BENCHES WITH STRINGERS ON CENTRES AS PER DIAGRAM ABOVE.
4. SECURE BENCH POSTS WITH SPACER BRACES IN LOCATIONS SHOWN USING 3/8" HARDWARE.

A) TYPICAL SEAT CONNECTION



B) SEAT END CAPS



THIS DRAWING AND ALL INFORMATION CONTAINED HEREIN IS THE PROPERTY OF SPORT SYSTEMS CANADA INC. AND IS NOT TO BE REPRODUCED WITHOUT THE WRITTEN PERMISSION OF THIS MANUFACTURER. WE ASSUME NO RESPONSIBILITY FOR UNAUTHORIZED USE OF THIS DRAWING. SPORT SYSTEMS CANADA INC. IS NOT RESPONSIBLE FOR LOCAL PERMITS AND OCCUPANCY REQUIREMENTS.



28 Industrial Drive, Box 940  
 Alton, Ontario, Canada  
 K0A 1A0  
 www.ssci.ca  
 1.877.800.4667  
 T 613.266.1112  
 F 613.266.5876

CLIENT  
**SSCI**

TITLE  
**BL-PB-9BR**

REV. 1 DATE SET 14, 2009

SCALE NOTED DES. TH PAGE 1/1