

SEATBOARD AND FOOTBOARD 6063-T6 EXTRUDED ALUMINUM WITH 10 MICRON CLEAR ANODIZED FINISH

21'

HSS 2"x2" TUBING HOT DIPPED GALVANIZED FINISH

60"

60"

60"

60"

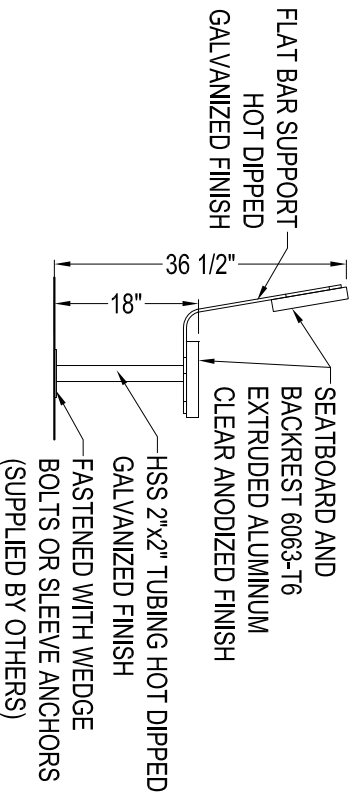
18"

SIDE ELEVATION BL-SM-21BR

SCALE: 1/2" = 1'



1. ALL BENCH SEATS ARE FITTED WITH END CAP CLOSURES AS STANDARD SUPPLY
2. TO BE INSTALLED BY OTHERS



SIDE ELEVATION BL-SM-BR

SCALE: 1/2" = 1'



THIS DRAWING AND ALL INFORMATION CONTAINED HEREIN IS THE PROPERTY OF SPORT SYSTEMS CANADA INC. AND IS NOT TO BE REPRODUCED WITHOUT THE WRITTEN PERMISSION OF THIS MANUFACTURER. WE ASSUME NO RESPONSIBILITY FOR UNAUTHORIZED USE OF THIS DRAWING. SPORT SYSTEMS CANADA INC. IS NOT RESPONSIBLE FOR LOCAL PERMITS AND OCCUPANCY REQUIREMENTS.



28 Industrial Drive, Box 940
 Ancienne, Ontario, Canada
 K0A 1X0

www.ssci.ca
 1.877.200.4667
 1.813.226.1112
 F. 613.226.5876

CLIENT
SSCI

TITLE
BL-SM-21BR

REV. 1 DATE DEC 18, 2009

SCALE NOTED DES. TH PAGE 1/1