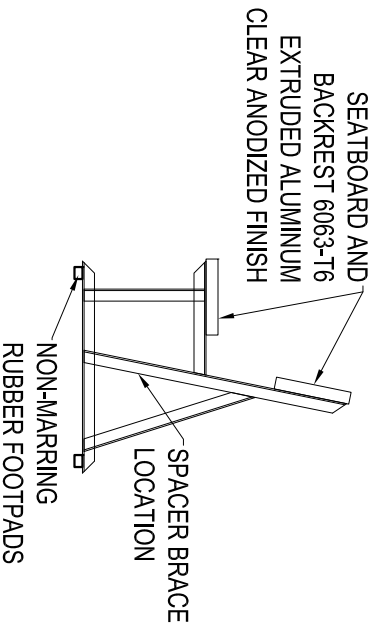


FRONT ELEVATION BL-PB-15BR
SCALE: 1/2" = 1'

1. ALL BENCH SEATS ARE FITTED WITH END CAP CLOSURES AS STANDARD SUPPLY
2. TO BE INSTALLED BY OTHERS



SIDE ELEVATION BL-PB-BR
SCALE: 1/2" = 1'

SEATBOARD AND BACKREST 6063-T6
EXTRUDED ALUMINUM CLEAR
ANODIZED FINISH

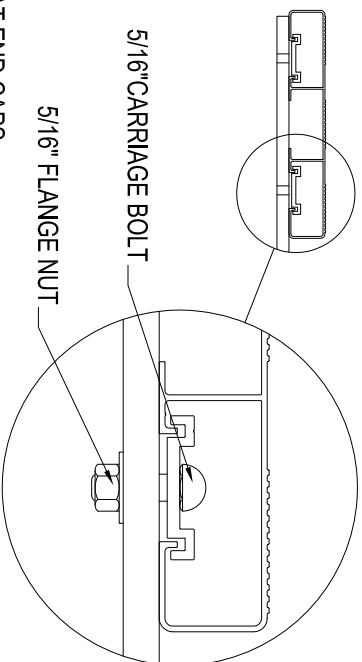
NON-MARRING
RUBBER FOOTPADS

72-SPACER

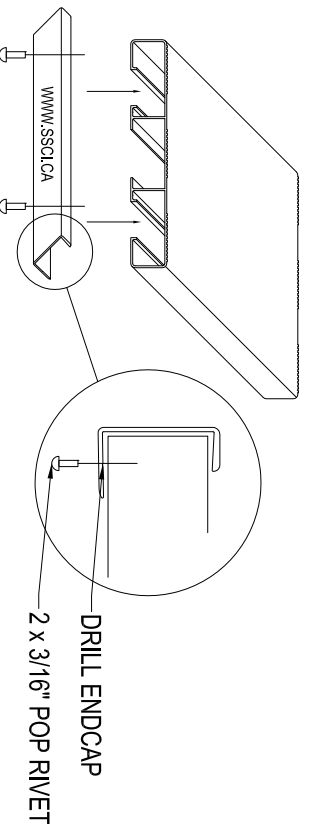
72-SPACER

1. INSTALL NON-MARRING RUBBER FOOTPADS ON BENCH POSTS USING 5/16 HARDWARE.
2. INSTALL END CAPS ON BLEACHER PLANKS AS PER DIAGRAM BELOW.
3. SECURE ALUMINUM PLANKS USING 5/16" HARDWARE TO THE STRINGERS. ASSEMBLE BENCHES WITH STRINGERS ON CENTRES AS PER DIAGRAM ABOVE.
4. SECURE BENCH POSTS WITH SPACER BRACES IN LOCATIONS SHOWN USING 3/8" HARDWARE.

A) TYPICAL SEAT CONNECTION



B) SEAT END CAPS



THIS DRAWING AND ALL INFORMATION CONTAINED HEREIN IS THE PROPERTY OF SPORT SYSTEMS CANADA INC. AND IS NOT TO BE REPRODUCED WITHOUT THE WRITTEN PERMISSION OF THIS MANUFACTURER. WE ASSUME NO RESPONSIBILITY FOR UNAUTHORIZED USE OF THIS DRAWING. SPORT SYSTEMS CANADA INC. IS NOT RESPONSIBLE FOR LOCAL PERMITS AND OCCUPANCY REQUIREMENTS.



Building a Better Game
28 Industrial Drive, Box 940
Aurora, Ontario, Canada
K0A 1A0
www.ssci.ca
1.877.800.4667
T 613.298.1112
F 613.298.5876

CLIENT

SSCI

TITLE

BL-PB-15BR

REV. 1 DATE SET 14, 2009

SCALE NOTED DES. TH PAGE 1/1