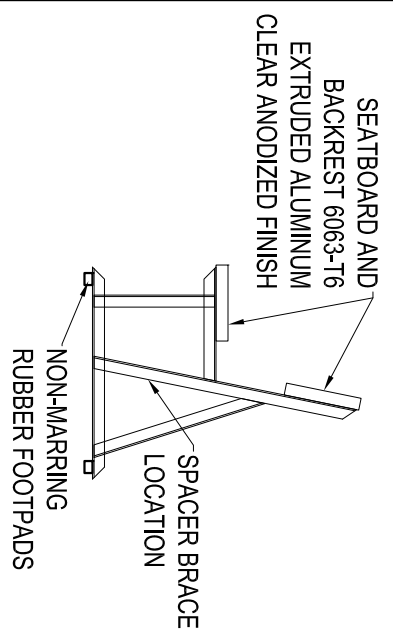


FRONT ELEVATION BL-PB-18BR
SCALE: 1/2" = 1'

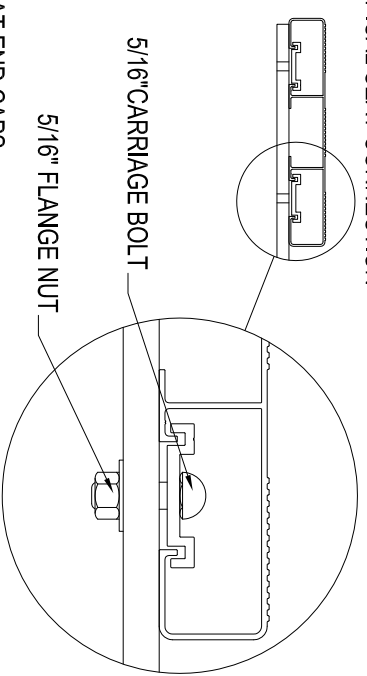
1. ALL BENCH SEATS ARE FITTED WITH END CAP CLOSURES AS STANDARD SUPPLY
2. TO BE INSTALLED BY OTHERS



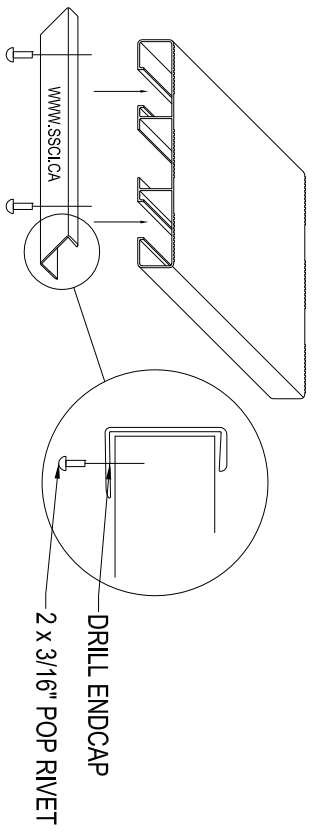
SIDE ELEVATION BL-PB-BR
SCALE: 1/2" = 1'

1. INSTALL NON-MARRING RUBBER FOOTPADS ON BENCH POSTS USING 5/16" HARDWARE.
2. INSTALL END CAPS ON BLEACHER PLANKS AS PER DIAGRAM BELOW.
3. SECURE ALUMINUM PLANKS USING 5/16" HARDWARE TO THE STRINGERS. ASSEMBLE BENCHES WITH STRINGERS ON CENTRES AS PER DIAGRAM ABOVE.
4. SECURE BENCH POSTS WITH SPACER BRACES IN LOCATIONS SHOWN USING 3/8" HARDWARE.

A) TYPICAL SEAT CONNECTION



B) SEAT END CAPS



THIS DRAWING AND ALL INFORMATION CONTAINED HEREIN IS THE PROPERTY OF SPORT SYSTEMS CANADA INC. AND IS NOT TO BE REPRODUCED WITHOUT THE WRITTEN PERMISSION OF THIS MANUFACTURER. WE ASSUME NO RESPONSIBILITY FOR UNAUTHORIZED USE OF THIS DRAWING. SPORT SYSTEMS CANADA INC. IS NOT RESPONSIBLE FOR LOCAL PERMITS AND OCCUPANCY REQUIREMENTS.



Building a Better Game
28 Industrial Drive, Box 940
Aurora, Ontario, Canada
K0A 1A0
www.ssci.ca
1.877.200.4667
T 613.226.1112
F 613.226.5876

CLIENT
SSCI

TITLE
BL-PB-18BR

REV. 1 DATE SET 14, 2009
SCALE NOTED DES. TH PAGE 1/1