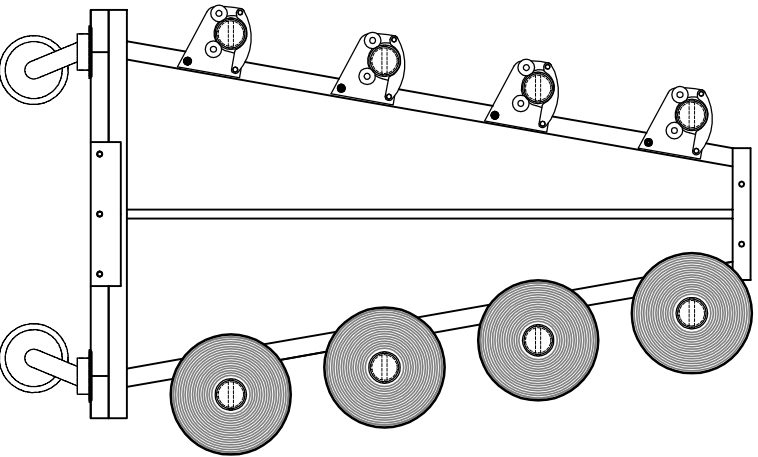




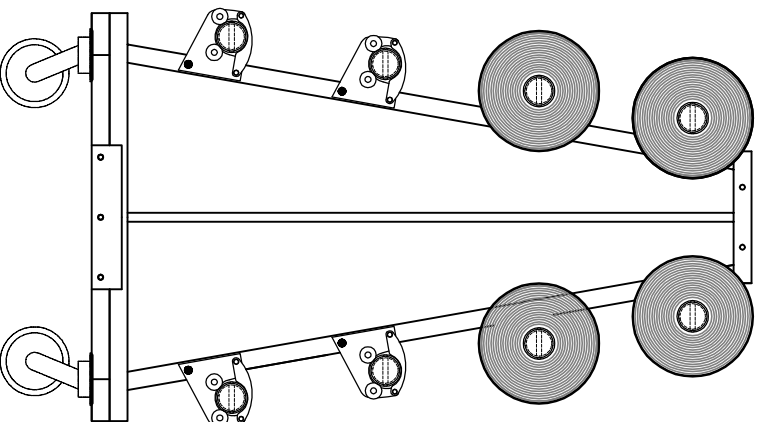
WARNING

UNLOAD AND LOAD RACK EVENLY BY UNLOADING FROM THE TOP DOWN AND LOADING FROM THE BOTTOM UP WHILE ALTERNATING FROM SIDE TO SIDE. EQUIPMENT SHOULD ONLY BE USED BY AUTHORIZED PERSONNEL!



END ELEVATION : UNSTABLE RACK

SCALE: 3/4" = 1'



END ELEVATION : UNSTABLE RACK

SCALE: 3/4" = 1'



IMPORTANT NOTE:

STORING, TRANSPORTING OR USING FLOOR COVER RACK UNDER THE FOLLOWING SCENARIOS WILL REDUCE THE STABILITY OF THE RACK SYSTEM & PROMOTE TIP-OVER.

THIS DRAWING AND ALL INFORMATION CONTAINED HEREIN IS THE PROPERTY OF SPORT SYSTEMS CANADA INC. AND IS NOT TO BE REPRODUCED WITHOUT THE WRITTEN PERMISSION OF THIS MANUFACTURER. WE ASSUME NO RESPONSIBILITY FOR UNAUTHORIZED USE OF THIS DRAWING. SPORT SYSTEMS CANADA INC. IS NOT RESPONSIBLE FOR LOCAL PERMITS AND OCCUPANCY REQUIREMENTS.



Building a Better Game
28 Industrial Drive, Box 940
Aurora, Ontario, Canada
M1A 1A0
www.ssci.ca
1.877.200.4687
T 613.226.1112
F 613.226.3976

CLIENT
SSCI

TITLE
GFC-SR-8
UNSTABLE RACKS

REV. 1
DATE MAR 22, 2011
SCALE N.T.S.
DES. MM
PAGE SK5