

8 7 6 5 4 3 2 1

SPORT SYSTEMS CANADA INC.

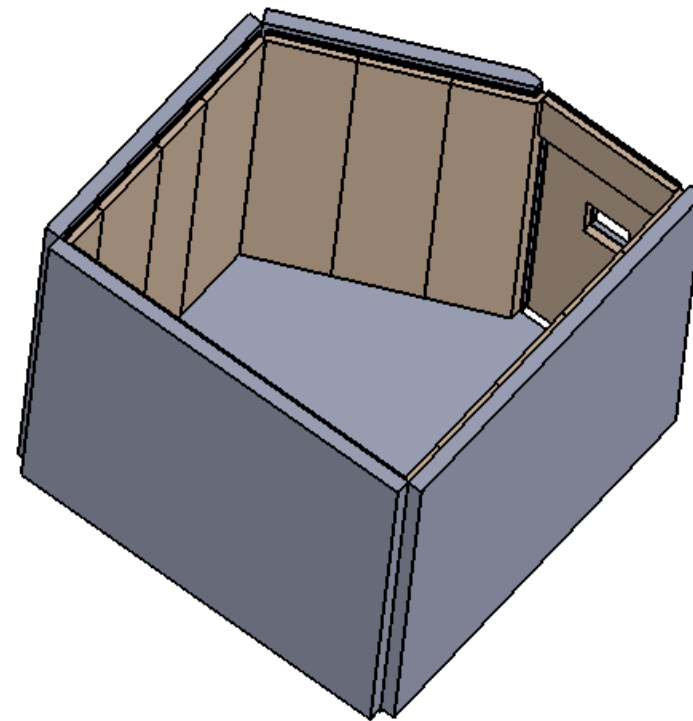
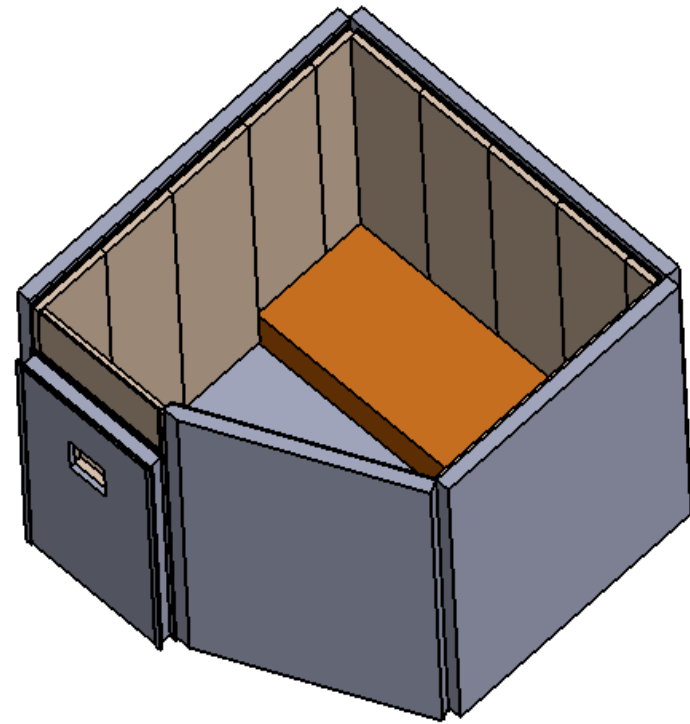
APPROVED

APPROVED AS CORRECTED

REVISE AND RESUBMIT

NAME \_\_\_\_\_ DATE \_\_\_\_\_

**USE CAUTION WHEN HANDLING PANELS  
SUPPORT ALONG LENGTH TO AVOID CRACKING PANELS**



D  
C  
B  
A

D  
C  
B  
A

**PROPRIETARY AND CONFIDENTIAL**  
THE INFORMATION CONTAINED IN THIS DRAWING IS THE SOLE PROPERTY OF <INSERT COMPANY NAME HERE>. ANY REPRODUCTION IN PART OR AS A WHOLE WITHOUT THE WRITTEN PERMISSION OF <INSERT COMPANY NAME HERE> IS PROHIBITED.

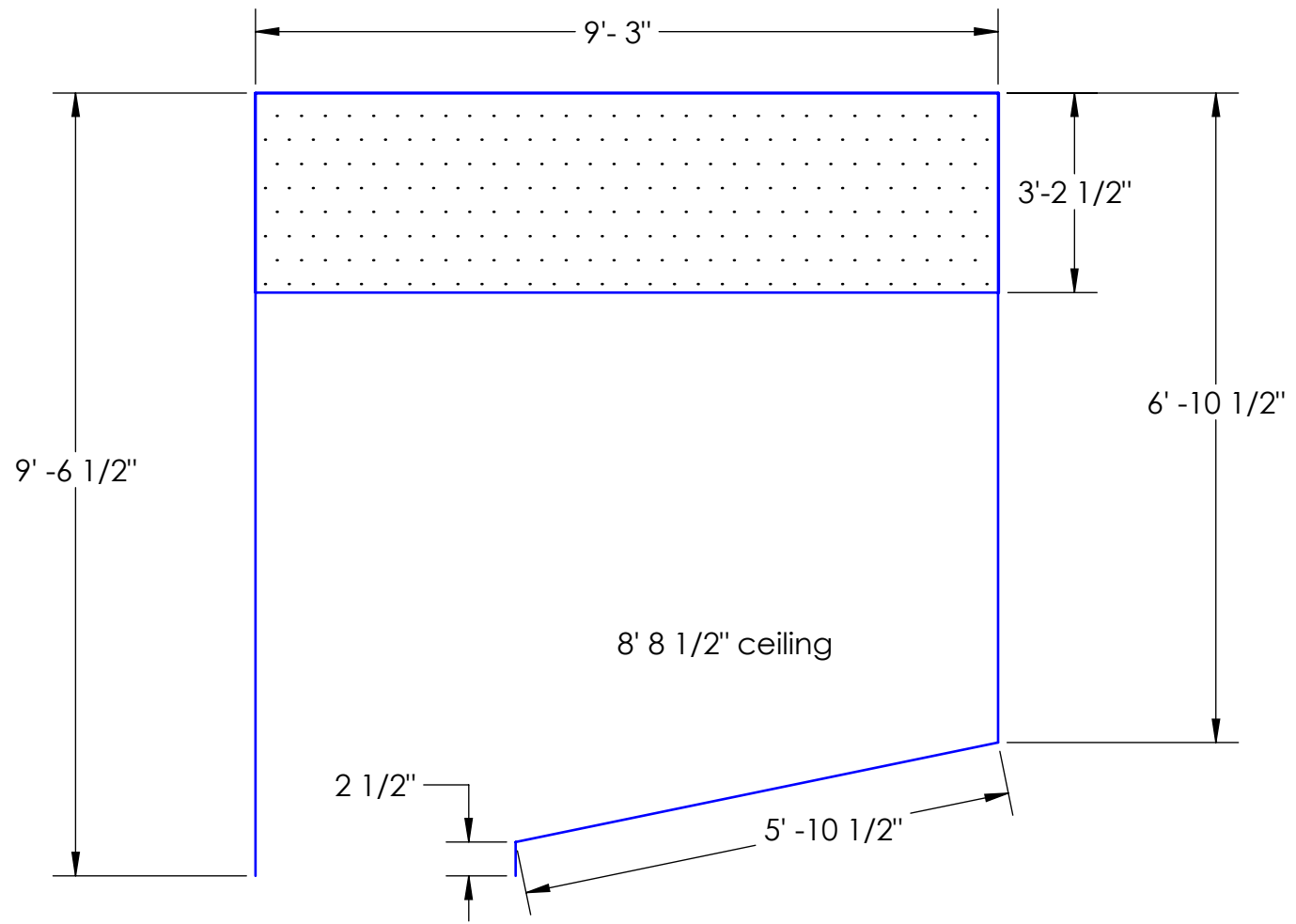
		UNLESS OTHERWISE SPECIFIED:		NAME	DATE	JOB# TITLE:		
		DIMENSIONS ARE IN INCHES		DRAWN		<b>RM 187</b>		
		TOLERANCES:		CHECKED				
		FRACTIONAL ±		ENG APPR.				
		ANGULAR: MACH ± BEND ±		MFG APPR.				
		TWO PLACE DECIMAL ±		Q.A.		SIZE	DWG. NO.	REV
		THREE PLACE DECIMAL ±		COMMENTS:		<b>B</b>	<b>1</b>	<b>-</b>
		INTERPRET GEOMETRIC TOLERANCING PER:				SCALE: 1:30		WEIGHT:
		MATERIAL				SHEET 1 OF 13		
		FINISH						
NEXT ASSY	USED ON	MATERIAL						
APPLICATION		BEIGE						
		DO NOT SCALE DRAWING						

8 7 6 5 4 3 2 1

SPORT SYSTEMS CANADA INC.

APPROVED  
 APPROVED AS CORRECTED  
 REVISE AND RESUBMIT

NAME \_\_\_\_\_ DATE \_\_\_\_\_



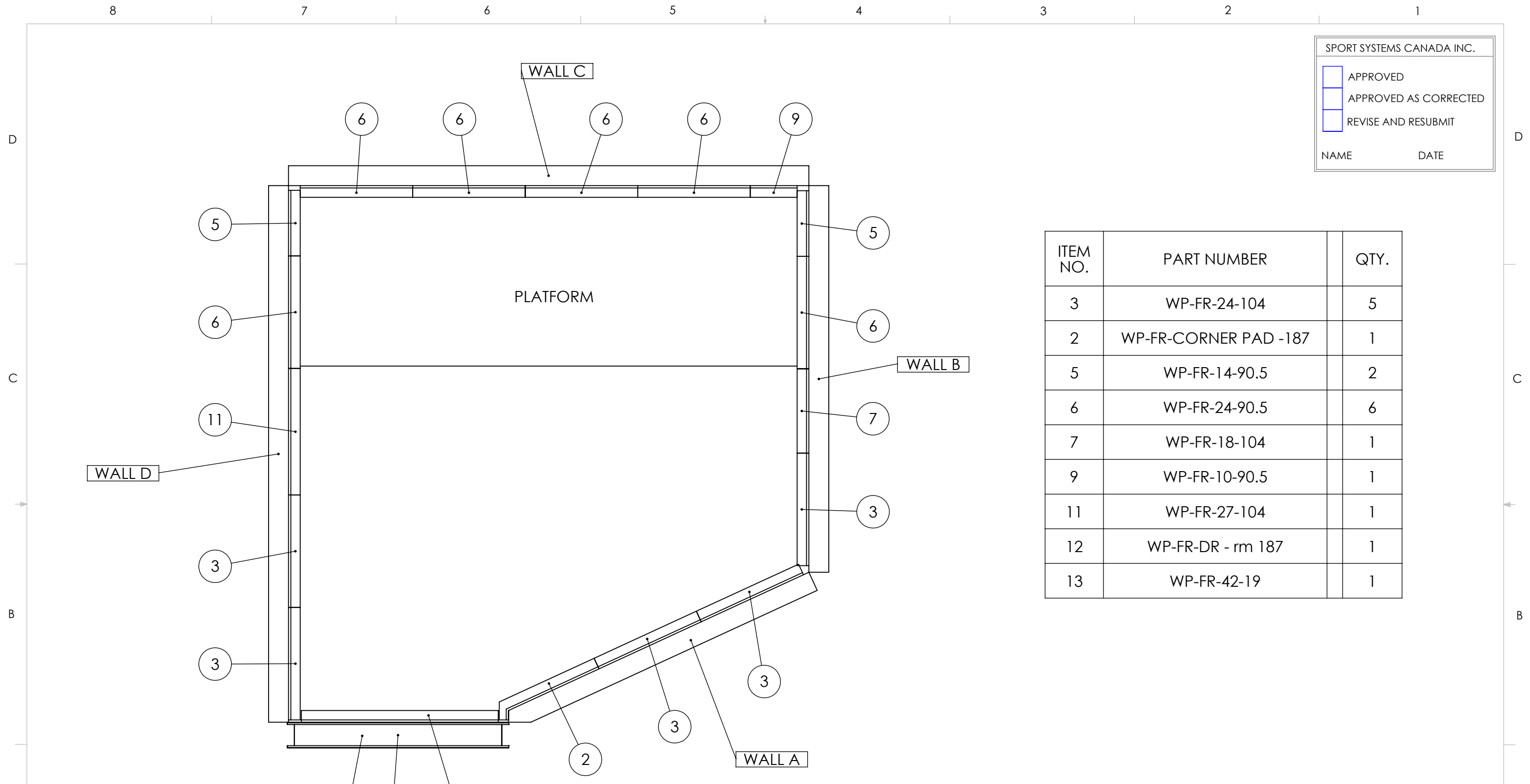
**PROPRIETARY AND CONFIDENTIAL**  
 THE INFORMATION CONTAINED IN THIS DRAWING IS THE SOLE PROPERTY OF <INSERT COMPANY NAME HERE>. ANY REPRODUCTION IN PART OR AS A WHOLE WITHOUT THE WRITTEN PERMISSION OF <INSERT COMPANY NAME HERE> IS PROHIBITED.

		UNLESS OTHERWISE SPECIFIED:		NAME	DATE	JOB#	
		DIMENSIONS ARE IN INCHES		DRAWN	JW	TITLE: RM 187	
		TOLERANCES:		CHECKED		SUPPLIED ROOM DIMENSIONS	
		FRACTIONAL ±		ENG APPR.		SIZE DWG. NO. 2	
		ANGULAR: MACH ± BEND ±		MFG APPR.		REV	
		TWO PLACE DECIMAL ±		Q.A.		SCALE: 1:30 WEIGHT: SHEET 2 OF 13	
		THREE PLACE DECIMAL ±		COMMENTS:			
		INTERPRET GEOMETRIC TOLERANCING PER:					
		MATERIAL					
NEXT ASSY	USED ON	FINISH					
APPLICATION		DO NOT SCALE DRAWING					

SPORT SYSTEMS CANADA INC.

APPROVED  
 APPROVED AS CORRECTED  
 REVISE AND RESUBMIT

NAME \_\_\_\_\_ DATE \_\_\_\_\_



ITEM NO.	PART NUMBER	QTY.
3	WP-FR-24-104	5
2	WP-FR-CORNER PAD -187	1
5	WP-FR-14-90.5	2
6	WP-FR-24-90.5	6
7	WP-FR-18-104	1
9	WP-FR-10-90.5	1
11	WP-FR-27-104	1
12	WP-FR-DR - rm 187	1
13	WP-FR-42-19	1

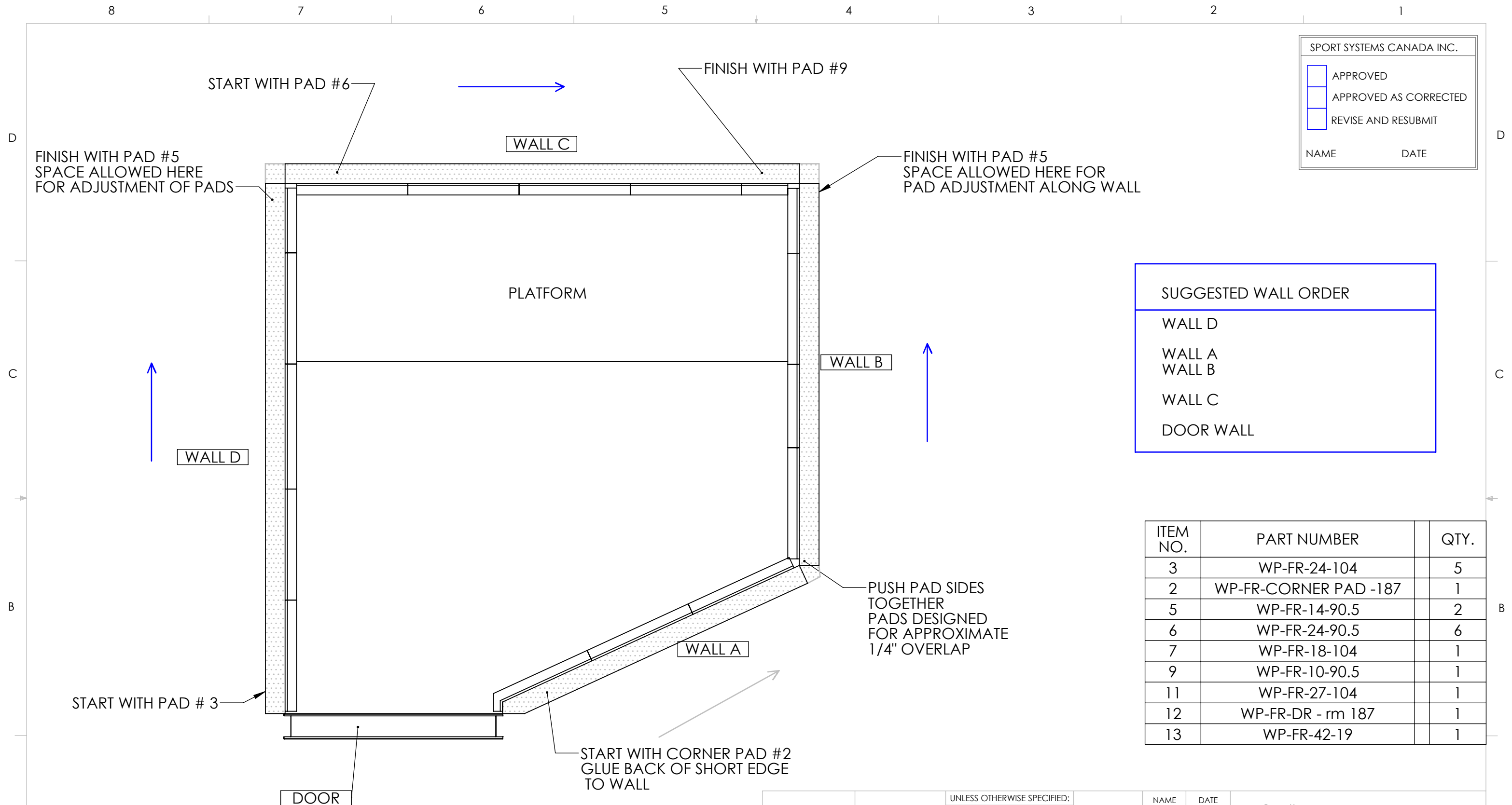
**PROPRIETARY AND CONFIDENTIAL**  
 THE INFORMATION CONTAINED IN THIS DRAWING IS THE SOLE PROPERTY OF <INSERT COMPANY NAME HERE>. ANY REPRODUCTION IN PART OR AS A WHOLE WITHOUT THE WRITTEN PERMISSION OF <INSERT COMPANY NAME HERE> IS PROHIBITED.

UNLESS OTHERWISE SPECIFIED:		NAME	DATE
DIMENSIONS ARE IN INCHES		DRAWN	
TOLERANCES:		CHECKED	
FRACTIONAL ±		ENG APPR.	
ANGULAR: MACH ± BEND ±		MFG APPR.	
TWO PLACE DECIMAL ±		Q.A.	
THREE PLACE DECIMAL ±		COMMENTS:	
INTERPRET GEOMETRIC TOLERANCING PER:			
MATERIAL			
FINISH			
NEXT ASSY	USED ON	TITLE: <b>RM 187</b>	
APPLICATION		SIZE <b>B</b>	DWG. NO. <b>3</b>
DO NOT SCALE DRAWING		REV <b>-</b>	
		SCALE: 1:20	WEIGHT:
		SHEET 3 OF 13	

SPORT SYSTEMS CANADA INC.

APPROVED  
 APPROVED AS CORRECTED  
 REVISE AND RESUBMIT

NAME \_\_\_\_\_ DATE \_\_\_\_\_



SUGGESTED WALL ORDER

WALL D  
 WALL A  
 WALL B  
 WALL C  
 DOOR WALL

ITEM NO.	PART NUMBER	QTY.
3	WP-FR-24-104	5
2	WP-FR-CORNER PAD -187	1
5	WP-FR-14-90.5	2
6	WP-FR-24-90.5	6
7	WP-FR-18-104	1
9	WP-FR-10-90.5	1
11	WP-FR-27-104	1
12	WP-FR-DR - rm 187	1
13	WP-FR-42-19	1

**USE CAUTION WHEN HANDLING PANELS  
SUPPORT ALONG LENGTH TO AVOID CRACKING PANELS**

**PROPRIETARY AND CONFIDENTIAL**  
 THE INFORMATION CONTAINED IN THIS DRAWING IS THE SOLE PROPERTY OF <INSERT COMPANY NAME HERE>. ANY REPRODUCTION IN PART OR AS A WHOLE WITHOUT THE WRITTEN PERMISSION OF <INSERT COMPANY NAME HERE> IS PROHIBITED.

UNLESS OTHERWISE SPECIFIED:		NAME	DATE	JOB # TITLE:
DIMENSIONS ARE IN INCHES TOLERANCES: FRACTIONAL ± ANGULAR: MACH ± BEND ± TWO PLACE DECIMAL ± THREE PLACE DECIMAL ±		DRAWN		
INTERPRET GEOMETRIC TOLERANCING PER:		CHECKED		
MATERIAL		ENG APPR.		
FINISH		MFG APPR.		
NEXT ASSY	USED ON	Q.A.		SIZE DWG. NO. REV
APPLICATION		COMMENTS:		<b>B</b> <b>4</b> -
DO NOT SCALE DRAWING				SCALE: 1:20 WEIGHT: SHEET 4 OF 13

WALL PAD INSTALLATION INSTRUCTIONS

GENERAL

LAY PADS OUT ALONG WALL THE CHECK FIT PRIOR TO INSTALLATION. INSTALL PADS WITH CUTOUTS FIRST AND ADJUST OTHER PADS AS NECESSARY

MARK A LEVEL LINE AROUND ROOM AT TOP EDGE INSTALL HEIGHT

INSTALL EACH WALL PAD USING A LEVEL WITH THE ARROW ON THE BACK OF THE WALL PAD POINTING UPWARDS

IT IS RECOMMENDED THAT A BEAD OF CONSTRUCTION ADHESIVE (FOR EXAMPLE LePAGE PL 2000 ADHESIVE IS PLACED HORIZONATALLY ALONG THE MIDDLE OF THE BACKING BOARD

FASTEN EACH WALL PAD THE THE WALL WITH 2-3 SCREWS IN EACH OF THE TOP AND BOTTOM FASTENING MARGINS

FOR ATTACHMENT TO CONCRETE WALL, USE TAPCON SCREWS (3/16" X 1-3/4") AND PRE DRILL HOLES USING THE DRILL BIT THAT IS PROVIDED IN THE TAPCON BOX

FOR ATTACHMENT TO WOOD STUD WALLS, SCREW INTO STUDS WHERE POSSIBLE OR MOUNT FURRING STRIPS HORIZONTALLY ALONG THE TOP, MIDDLE AND BOTTOM OF WHERE THE PADS WILL BE MOUNTED ON THE WALL

TO REDUCE PAD SIZE REMOVE STAPLES ALONG ONE SIDE AND FOLD BACK TRIM OSB AND FOAM WITH SKIL SAW TO DESIRED WIDTH AND RESTAPLE VINYL

RM  
124/187

**USE CAUTION WHEN HANDLING PANELS  
SUPPORT ALONG LENGTH TO AVOID CRACKING PANELS**

CORNER PAD

USE A BEAD OF GLUE ALONG THE ENTIRE INSIDE LENGTH OF THE SHORT SIDE TO HOLD IN PLACE

**PROPRIETARY AND CONFIDENTIAL**  
THE INFORMATION CONTAINED IN THIS DRAWING IS THE SOLE PROPERTY OF <INSERT COMPANY NAME HERE>. ANY REPRODUCTION IN PART OR AS A WHOLE WITHOUT THE WRITTEN PERMISSION OF <INSERT COMPANY NAME HERE> IS PROHIBITED.

		UNLESS OTHERWISE SPECIFIED:		NAME	DATE	JOB# TITLE:		
		DIMENSIONS ARE IN INCHES TOLERANCES: FRACTIONAL ± ANGULAR: MACH ± BEND ± TWO PLACE DECIMAL ± THREE PLACE DECIMAL ±		DRAWN		WALL PADDING INSTALLATION		
				CHECKED				
				ENG APPR.				
				MFG APPR.				
		INTERPRET GEOMETRIC TOLERANCING PER:		Q.A.				
		MATERIAL		COMMENTS:				
NEXT ASSY	USED ON	FINISH				SIZE <b>B</b>	DWG. NO. <b>5</b>	REV -
APPLICATION		DO NOT SCALE DRAWING				SCALE: 1:16	WEIGHT:	SHEET 5 OF 13

8

7

6

5

4

3

2

1

SPORT SYSTEMS CANADA INC.

APPROVED  
 APPROVED AS CORRECTED  
 REVISE AND RESUBMIT

NAME \_\_\_\_\_ DATE \_\_\_\_\_

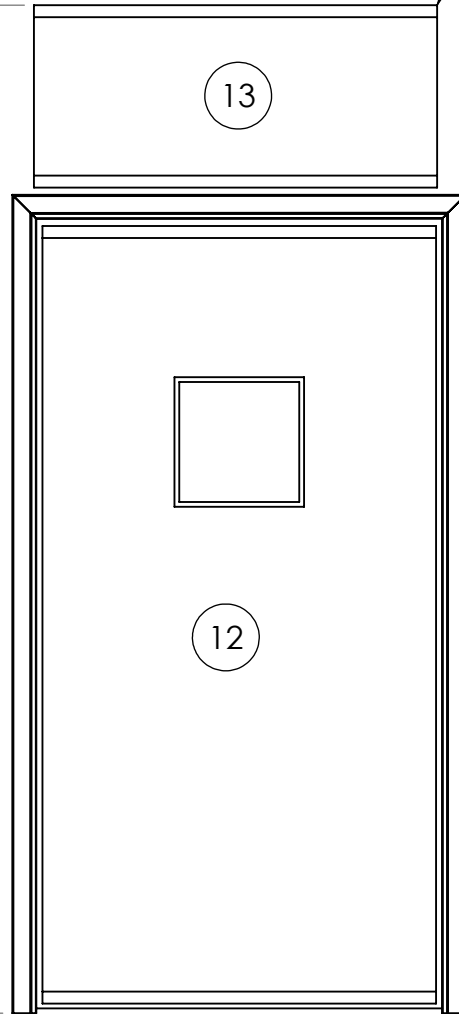
D

C

B

A

105" INSTALLATION HT



PAD SIZED TO FIT BETWEEN PADDED WALLS A&D

CENTER DOOR PAD AROUND WINDOW

SUGGESTED  
INSTALL ORDER

DO WALL PADS FIRST  
THEN DOOR WALL

PAD ABOVE DOOR

DOOR PAD

C

B

A

ITEM NO.	PART NUMBER	QTY.
12	WP-FR-DR - rm 187	1
13	WP-FR-42-19	1

**PROPRIETARY AND CONFIDENTIAL**  
 THE INFORMATION CONTAINED IN THIS DRAWING IS THE SOLE PROPERTY OF <INSERT COMPANY NAME HERE>. ANY REPRODUCTION IN PART OR AS A WHOLE WITHOUT THE WRITTEN PERMISSION OF <INSERT COMPANY NAME HERE> IS PROHIBITED.

		UNLESS OTHERWISE SPECIFIED:		NAME	DATE	JOB# TITLE:			
		DIMENSIONS ARE IN INCHES	DRAWN	JW		DOOR WALL INSTALLATION RM 187			
		TOLERANCES:	CHECKED						
		FRACTIONAL ±	ENG APPR.						
		ANGULAR: MACH ± BEND ±	MFG APPR.						
		TWO PLACE DECIMAL ±	Q.A.			SIZE	DWG. NO.	REV	
		THREE PLACE DECIMAL ±	COMMENTS:			<b>B</b>	6		
INTERPRET GEOMETRIC TOLERANCING PER:	MATERIAL	FINISH					SCALE: 1:20	WEIGHT:	SHEET 6 OF 13
	BEIGE								
NEXT ASSY	USED ON	DO NOT SCALE DRAWING							
APPLICATION									

8

7

6

5

4

3

2

1

SPORT SYSTEMS CANADA INC.

APPROVED  
 APPROVED AS CORRECTED  
 REVISE AND RESUBMIT

NAME \_\_\_\_\_ DATE \_\_\_\_\_

**Wall Padding Tool Checklist**

Job Name: \_\_\_\_\_  
 Job Description: \_\_\_\_\_  
 Departure Date: \_\_\_\_\_

Tool / Part	Checked
General Tool Boxes.	
Hand Stapler	
Staples	
Scissors	
Skil-saw or jig saw	
Vinyl glue	
Caulking gun	
PL Premium	
Spare vinyl	
Tap cons	
3' or 4' Level	
Work table	
Saw horses	
Square (small & large carpenter squares)	
Knee pads or foam kneeling pads	
Regular Tape Measures	
Pencils	
Magic Markers	
Soap stone / chalk	
Cordless Hammer Drill & Impact Guns & Adapters x 2 ea.	
Spare Batteries	
Rags & Spray-Nine for Clean-up	
Regular Extension Cord	
Scrap vinyl or cardboard or foam to lay on	
Hardhats	
Broom	
Vacuum for clean-up	
Chalkline	

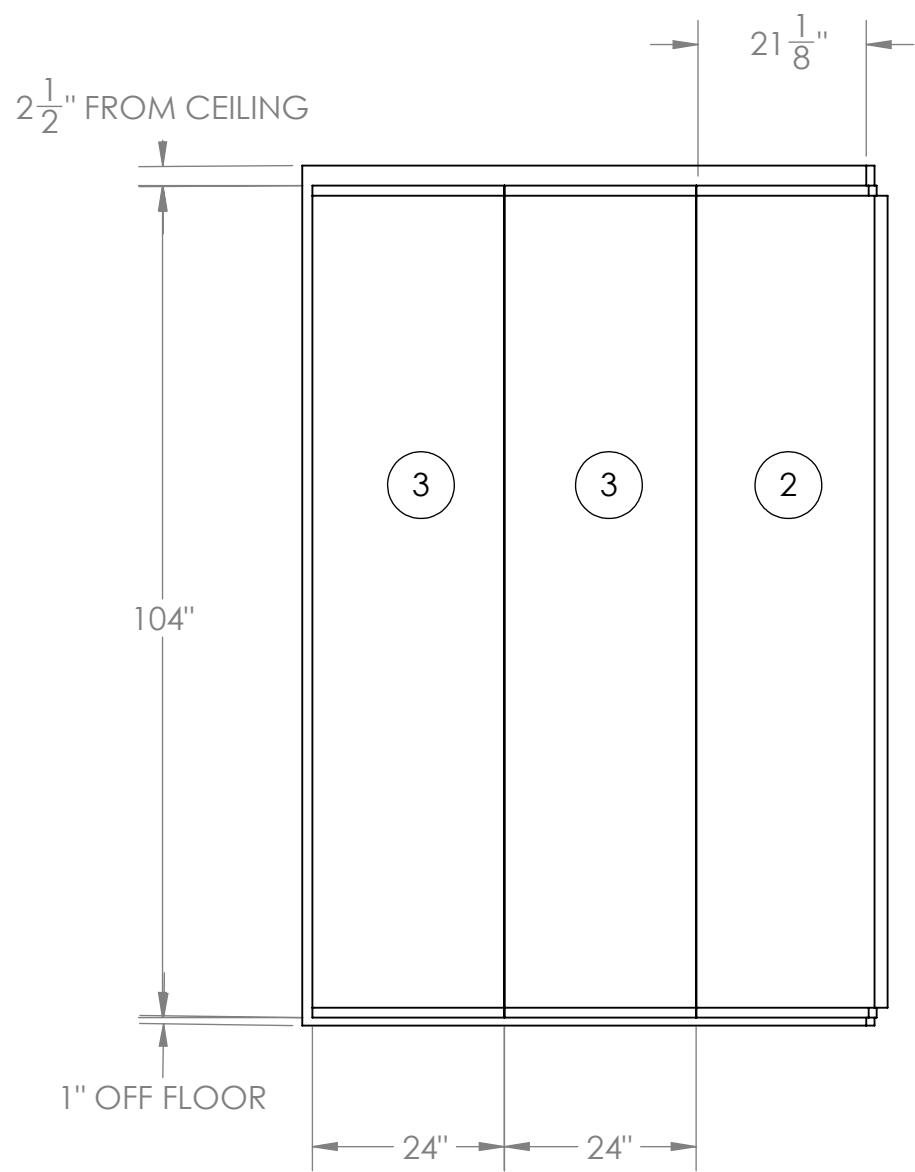
**PROPRIETARY AND CONFIDENTIAL**  
 THE INFORMATION CONTAINED IN THIS DRAWING IS THE SOLE PROPERTY OF <INSERT COMPANY NAME HERE>. ANY REPRODUCTION IN PART OR AS A WHOLE WITHOUT THE WRITTEN PERMISSION OF <INSERT COMPANY NAME HERE> IS PROHIBITED.

		UNLESS OTHERWISE SPECIFIED:		NAME	DATE	JOB# TITLE:		
		DIMENSIONS ARE IN INCHES	DRAWN	JW			SIZE DWG. NO. <b>B</b> 7	
		TOLERANCES:	CHECKED					REV
		FRACTIONAL ±	ENG APPR.					
		ANGULAR: MACH ± BEND ±	MFG APPR.					
		TWO PLACE DECIMAL ±	Q.A.			SCALE: 1:20 WEIGHT: SHEET 7 OF 13		
		THREE PLACE DECIMAL ±	COMMENTS:					
		INTERPRET GEOMETRIC TOLERANCING PER:						
		MATERIAL						
NEXT ASSY	USED ON	FINISH						
APPLICATION		DO NOT SCALE DRAWING						

SPORT SYSTEMS CANADA INC.

APPROVED  
 APPROVED AS CORRECTED  
 REVISE AND RESUBMIT

NAME \_\_\_\_\_ DATE \_\_\_\_\_



ITEM NO.	PART NUMBER	QTY.
3	WP-FR-24-104	2
2	WP-FR-CORNER PAD -187	1

**PROPRIETARY AND CONFIDENTIAL**  
 THE INFORMATION CONTAINED IN THIS DRAWING IS THE SOLE PROPERTY OF <INSERT COMPANY NAME HERE>. ANY REPRODUCTION IN PART OR AS A WHOLE WITHOUT THE WRITTEN PERMISSION OF <INSERT COMPANY NAME HERE> IS PROHIBITED.

		UNLESS OTHERWISE SPECIFIED:		NAME	DATE	JOB# TITLE:	
		DIMENSIONS ARE IN INCHES		DRAWN		WALL A RM 187	
		TOLERANCES:		CHECKED			
		FRACTIONAL ±		ENG APPR.			
		ANGULAR: MACH ± BEND ±		MFG APPR.			
		TWO PLACE DECIMAL ±		Q.A.		SIZE DWG. NO. REV	
		THREE PLACE DECIMAL ±		COMMENTS:		B 8 -	
		INTERPRET GEOMETRIC TOLERANCING PER:				SCALE: 1:48 WEIGHT: SHEET 8 OF 13	
		MATERIAL					
		BEIGE					
		FINISH					
NEXT ASSY	USED ON	DO NOT SCALE DRAWING					
APPLICATION							



8

7

6

5

4

3

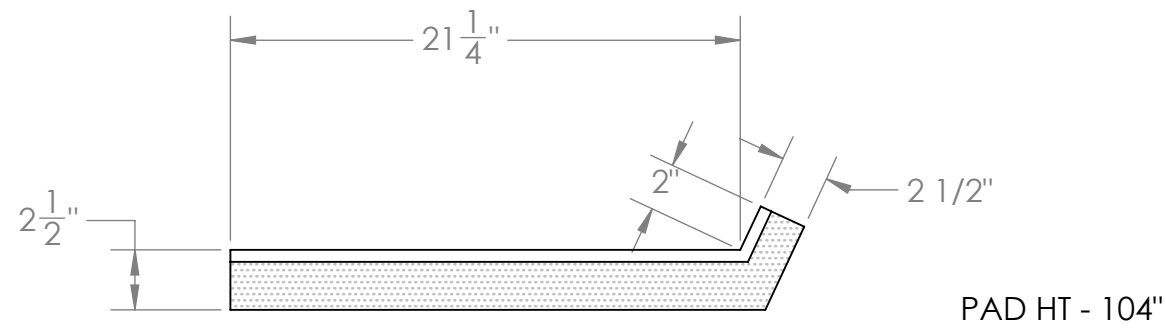
2

1

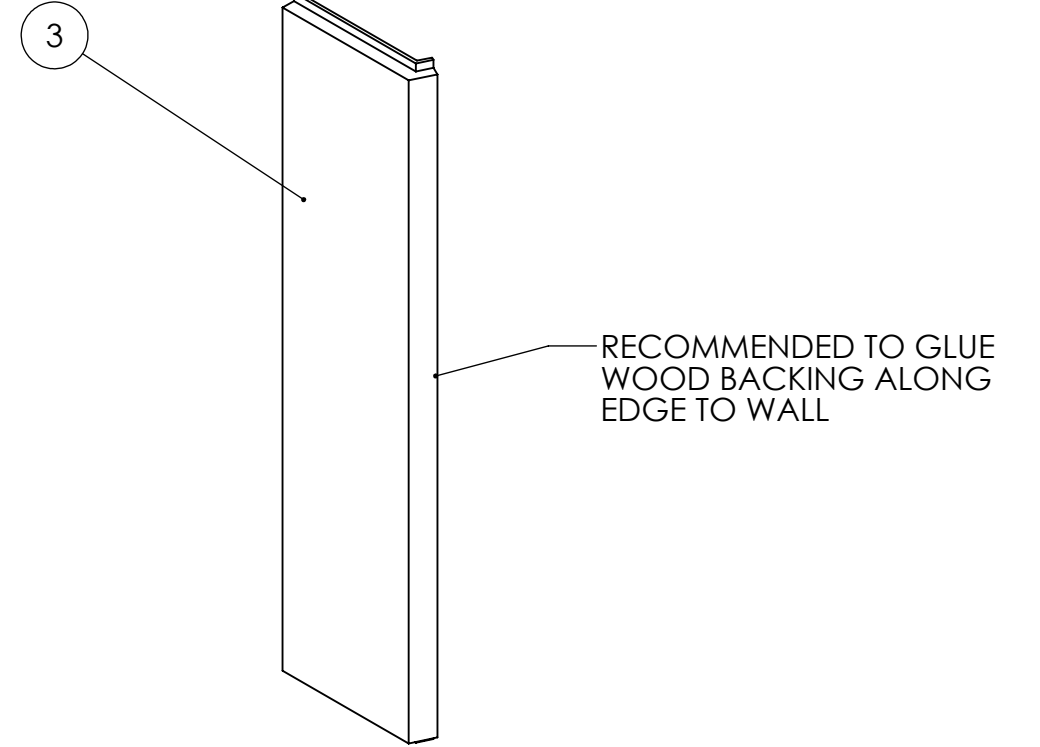
SPORT SYSTEMS CANADA INC.

APPROVED  
 APPROVED AS CORRECTED  
 REVISE AND RESUBMIT

NAME \_\_\_\_\_ DATE \_\_\_\_\_



TOP VIEW



**PROPRIETARY AND CONFIDENTIAL**  
 THE INFORMATION CONTAINED IN THIS DRAWING IS THE SOLE PROPERTY OF <INSERT COMPANY NAME HERE>. ANY REPRODUCTION IN PART OR AS A WHOLE WITHOUT THE WRITTEN PERMISSION OF <INSERT COMPANY NAME HERE> IS PROHIBITED.

		UNLESS OTHERWISE SPECIFIED:		NAME	DATE	JOB# TITLE:			
		DIMENSIONS ARE IN INCHES		DRAWN	JW	CP-FR-RM 187			
		TOLERANCES:		CHECKED					
		FRACTIONAL ±		ENG APPR.					
		ANGULAR: MACH ± BEND ±		MFG APPR.					
		TWO PLACE DECIMAL ±		Q.A.		SIZE	DWG. NO.	REV	
		THREE PLACE DECIMAL ±		COMMENTS:		<b>B</b>	9	-	
		INTERPRET GEOMETRIC TOLERANCING PER:				SCALE: 1:20		WEIGHT:	SHEET 9 OF 13
		MATERIAL							
NEXT ASSY		USED ON							
APPLICATION		DO NOT SCALE DRAWING							

8

7

6

5

4

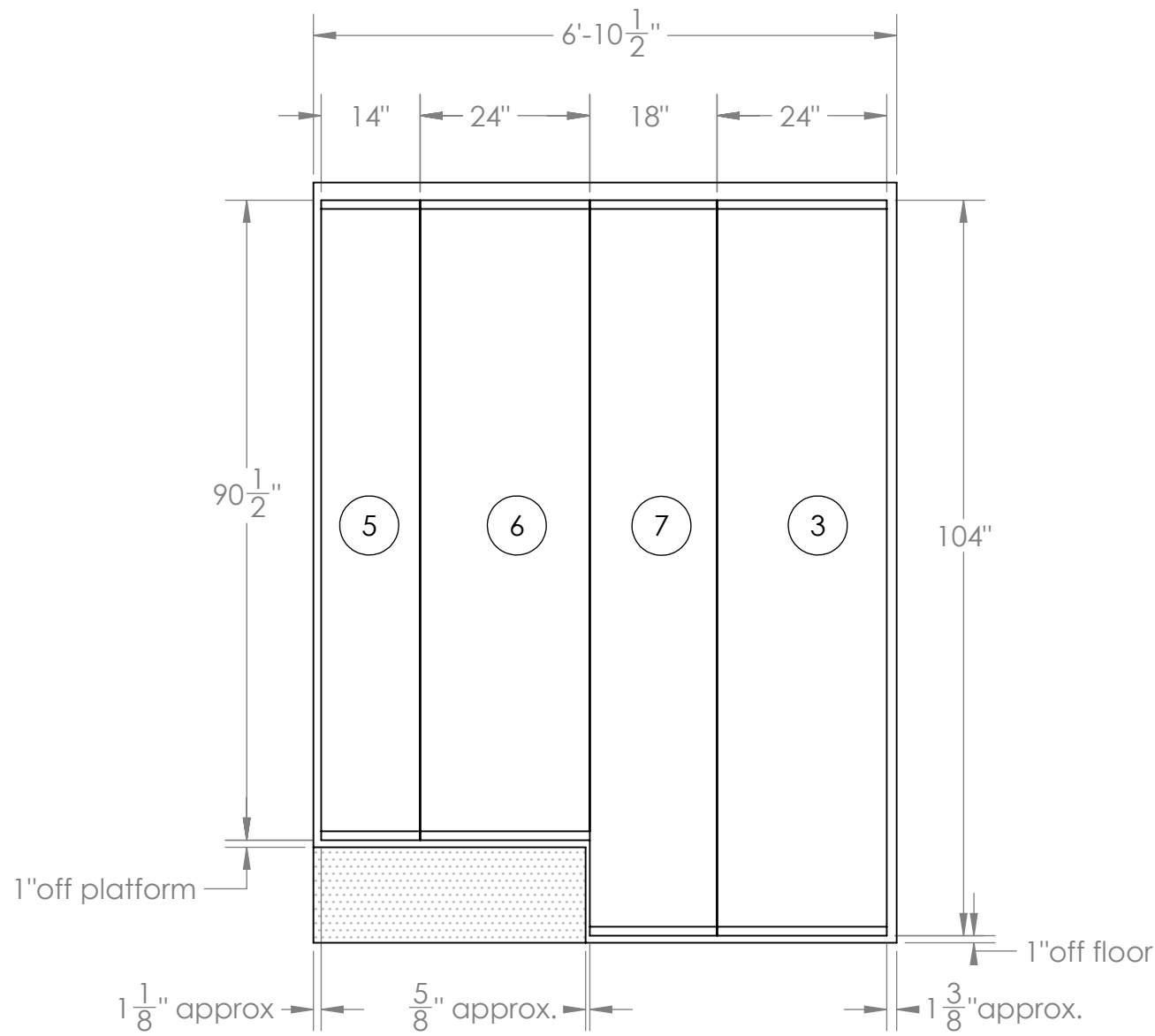
3

2

1

- APPROVED
- APPROVED AS CORRECTED
- REVISE AND RESUBMIT

NAME \_\_\_\_\_ DATE \_\_\_\_\_



ITEM NO.	PART NUMBER	QTY.
5	WP-FR-14-90.5	1
6	WP-FR-24-90.5	1
7	WP-FR-18-104	1

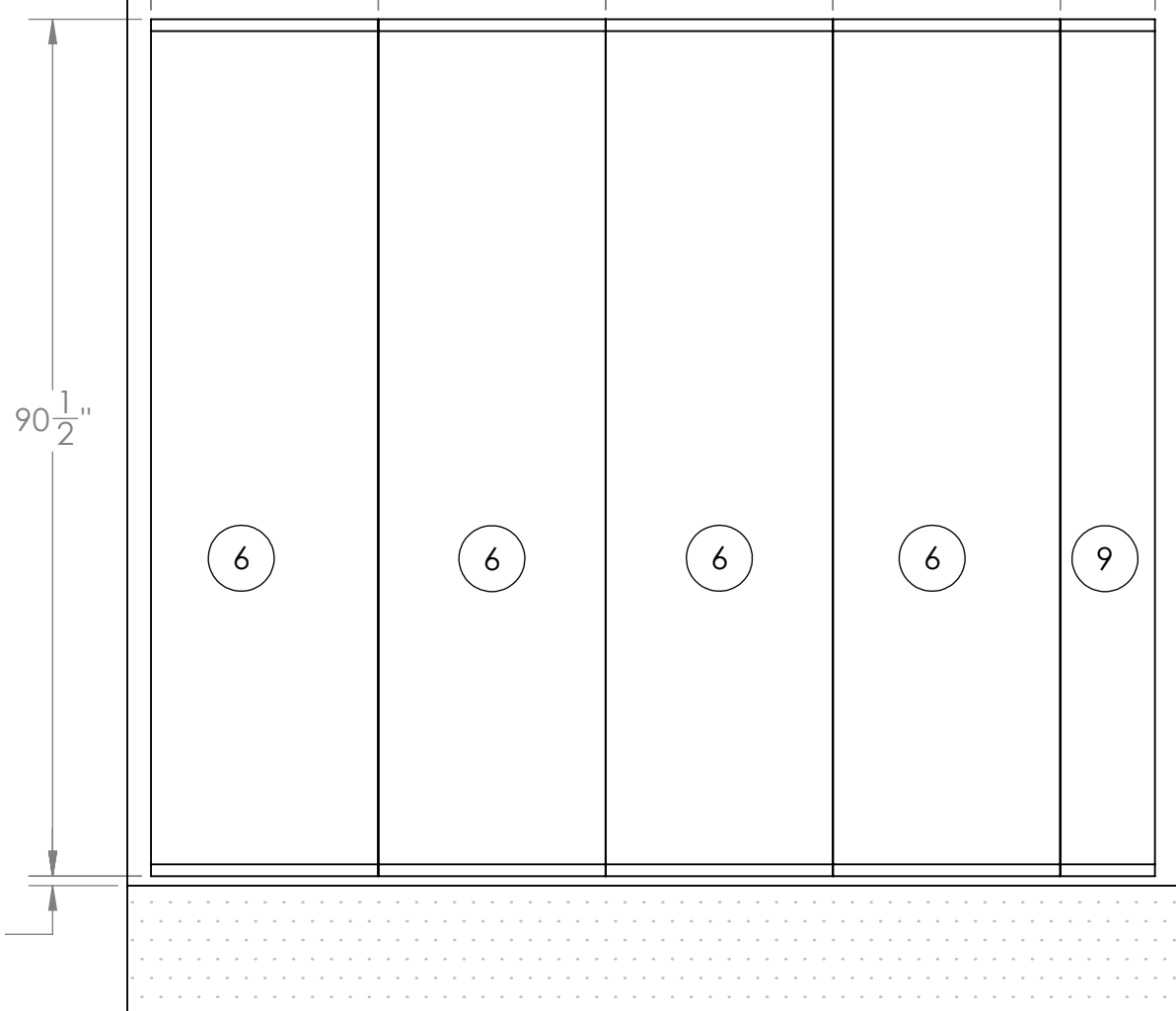
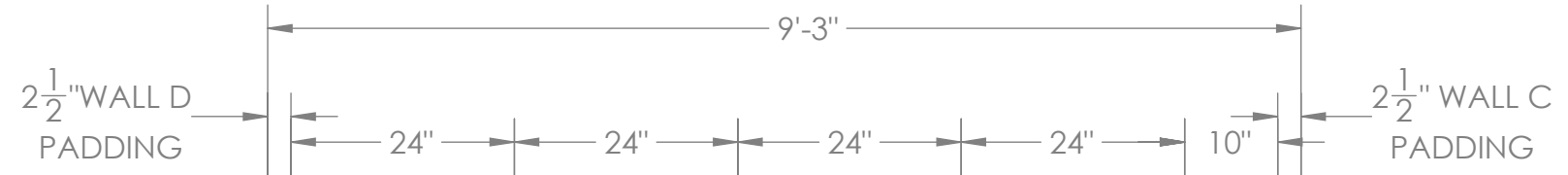
**PROPRIETARY AND CONFIDENTIAL**  
 THE INFORMATION CONTAINED IN THIS DRAWING IS THE SOLE PROPERTY OF <INSERT COMPANY NAME HERE>. ANY REPRODUCTION IN PART OR AS A WHOLE WITHOUT THE WRITTEN PERMISSION OF <INSERT COMPANY NAME HERE> IS PROHIBITED.

		UNLESS OTHERWISE SPECIFIED:	NAME	DATE	JOB# TITLE:	
		DIMENSIONS ARE IN INCHES	DRAWN		WALL B RM 187	
		TOLERANCES:	CHECKED			
		FRACTIONAL ±	ENG APPR.			
		ANGULAR: MACH ± BEND ±	MFG APPR.			
		TWO PLACE DECIMAL ±	Q.A.		SIZE	DWG. NO.
		THREE PLACE DECIMAL ±	COMMENTS:		<b>B</b>	<b>10</b>
		INTERPRET GEOMETRIC TOLERANCING PER:			REV	-
		MATERIAL			SCALE: 1:48 WEIGHT: SHEET 10 OF 13	
		FINISH				
NEXT ASSY	USED ON	DO NOT SCALE DRAWING				
APPLICATION						

SPORT SYSTEMS CANADA INC.

APPROVED  
 APPROVED AS CORRECTED  
 REVISE AND RESUBMIT

NAME \_\_\_\_\_ DATE \_\_\_\_\_



ITEM NO.	PART NUMBER	QTY.
6	WP-FR-24-90.5	4
9	WP-FR-10-90.5	1

**PROPRIETARY AND CONFIDENTIAL**  
 THE INFORMATION CONTAINED IN THIS DRAWING IS THE SOLE PROPERTY OF <INSERT COMPANY NAME HERE>. ANY REPRODUCTION IN PART OR AS A WHOLE WITHOUT THE WRITTEN PERMISSION OF <INSERT COMPANY NAME HERE> IS PROHIBITED.

		UNLESS OTHERWISE SPECIFIED:		NAME	DATE	JOB# TITLE:		
		DIMENSIONS ARE IN INCHES		DRAWN		WALL C RM 187		
		TOLERANCES:		CHECKED				
		FRACTIONAL ±		ENG APPR.				
		ANGULAR: MACH ± BEND ±		MFG APPR.				
		TWO PLACE DECIMAL ±		Q.A.		SIZE	DWG. NO.	REV
		THREE PLACE DECIMAL ±		COMMENTS:		<b>B</b>	<b>11</b>	-
		INTERPRET GEOMETRIC TOLERANCING PER:				SCALE: 1:20		WEIGHT:
		MATERIAL				SHEET 11 OF 13		
		FINISH						
NEXT ASSY	USED ON	DO NOT SCALE DRAWING						
APPLICATION								

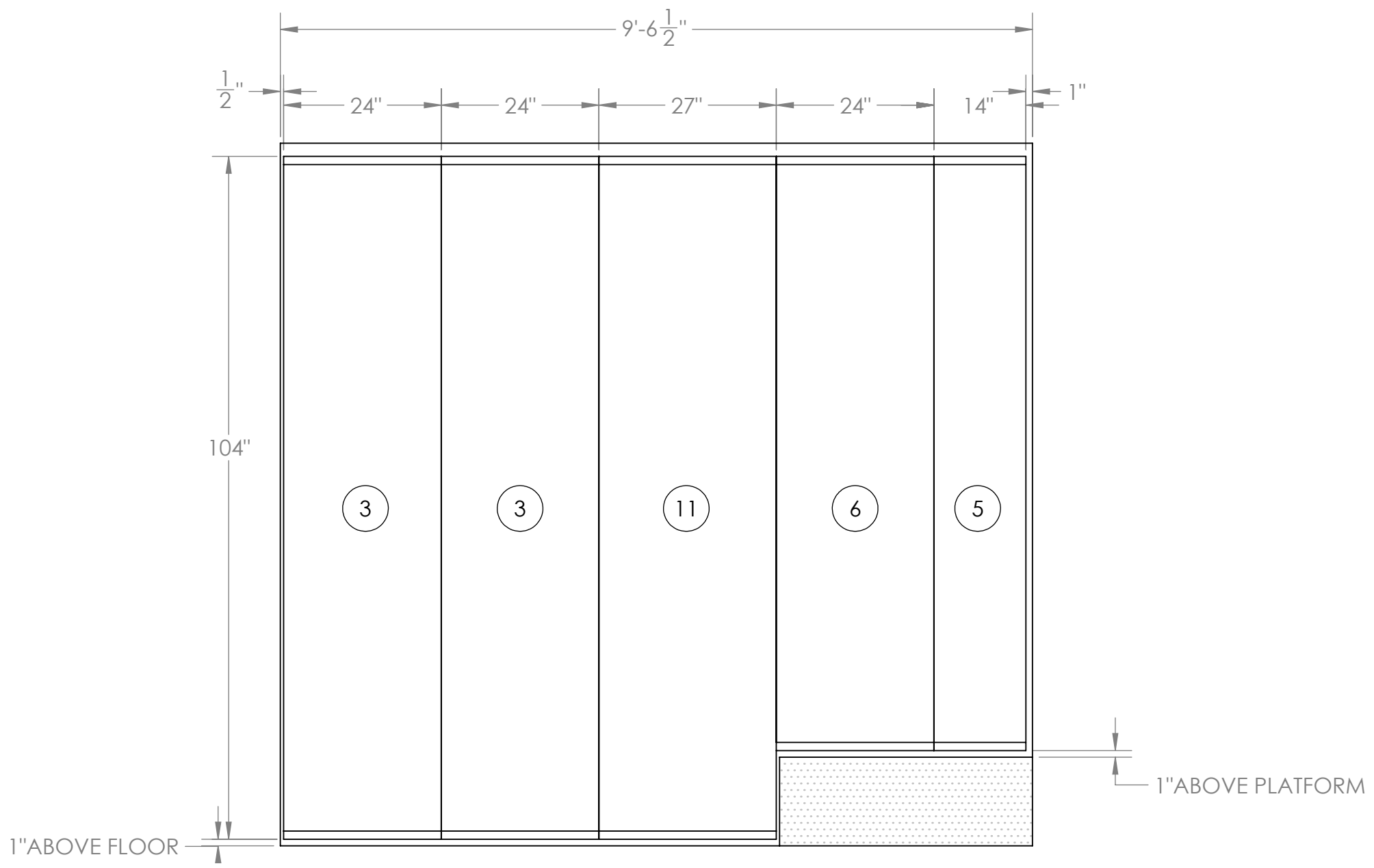
8 7 6 5 4 3 2 1

SPORT SYSTEMS CANADA INC.

APPROVED  
 APPROVED AS CORRECTED  
 REVISE AND RESUBMIT

NAME \_\_\_\_\_ DATE \_\_\_\_\_

D  
C  
B  
A



ITEM NO.	PART NUMBER	QTY.
3	WP-FR-24-104	2
5	WP-FR-14-90.5	1
6	WP-FR-24-90.5	1
11	WP-FR-27-104	1

**PROPRIETARY AND CONFIDENTIAL**  
 THE INFORMATION CONTAINED IN THIS DRAWING IS THE SOLE PROPERTY OF <INSERT COMPANY NAME HERE>. ANY REPRODUCTION IN PART OR AS A WHOLE WITHOUT THE WRITTEN PERMISSION OF <INSERT COMPANY NAME HERE> IS PROHIBITED.

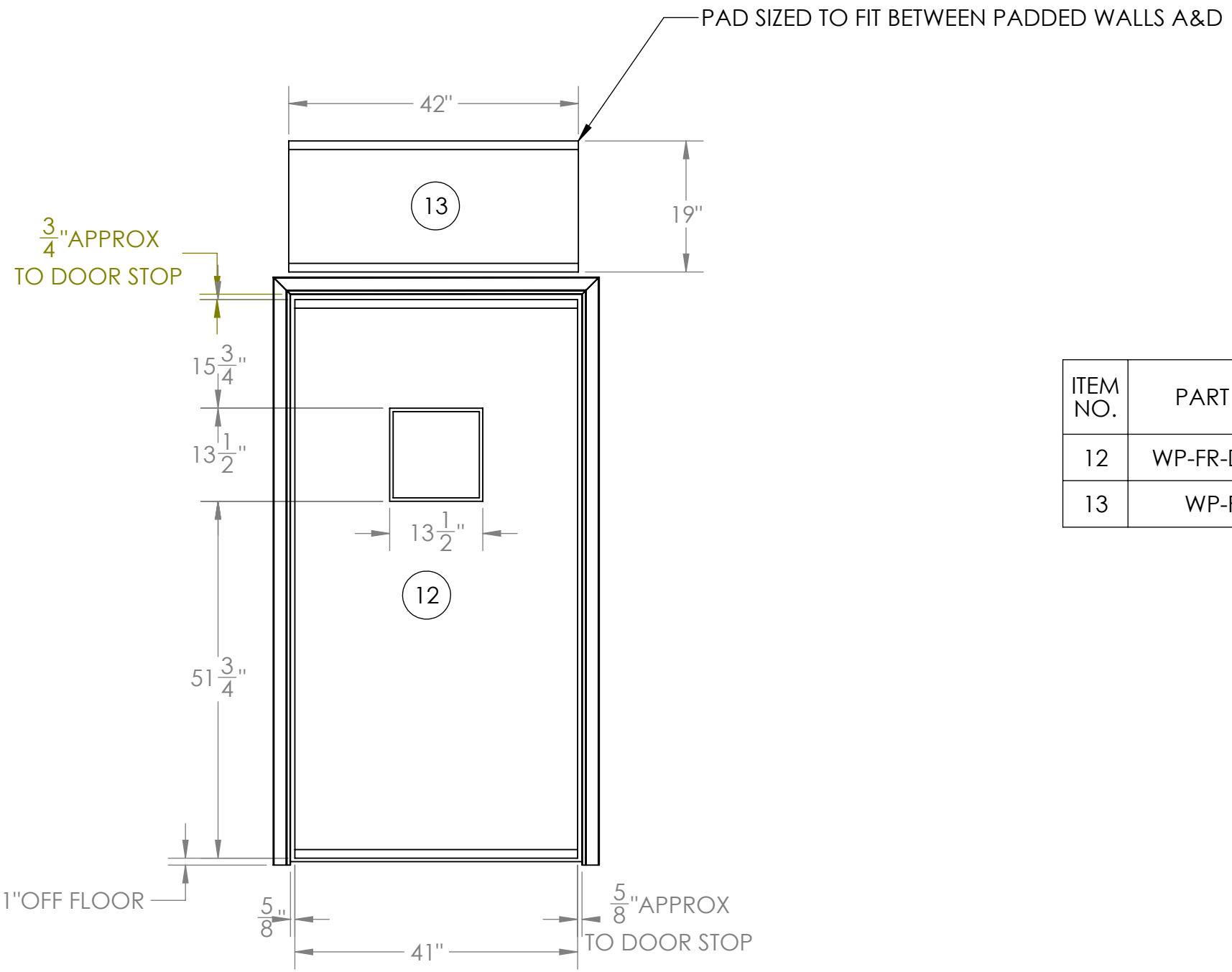
		UNLESS OTHERWISE SPECIFIED:		NAME	DATE	JOB# TITLE:		
		DIMENSIONS ARE IN INCHES		DRAWN	JW	WALL D RM 187		
		TOLERANCES:		CHECKED				
		FRACTIONAL ±		ENG APPR.				
		ANGULAR: MACH ± BEND ±		MFG APPR.				
		TWO PLACE DECIMAL ±		Q.A.				
		THREE PLACE DECIMAL ±		COMMENTS:		SIZE	DWG. NO.	REV
NEXT ASSY	USED ON	MATERIAL				<b>B</b>	12	-
		BEIGE				SCALE: 1:20		WEIGHT:
		FINISH				SHEET 12 OF 13		
APPLICATION		DO NOT SCALE DRAWING						

8 7 6 5 4 3 2 1

SPORT SYSTEMS CANADA INC.

APPROVED  
 APPROVED AS CORRECTED  
 REVISE AND RESUBMIT

NAME \_\_\_\_\_ DATE \_\_\_\_\_



ITEM NO.	PART NUMBER	QTY.
12	WP-FR-DR - rm 187	1
13	WP-FR-42-19	1

**PROPRIETARY AND CONFIDENTIAL**  
 THE INFORMATION CONTAINED IN THIS DRAWING IS THE SOLE PROPERTY OF <INSERT COMPANY NAME HERE>. ANY REPRODUCTION IN PART OR AS A WHOLE WITHOUT THE WRITTEN PERMISSION OF <INSERT COMPANY NAME HERE> IS PROHIBITED.

		UNLESS OTHERWISE SPECIFIED:		NAME	DATE	JOB# TITLE:	
		DIMENSIONS ARE IN INCHES		DRAWN	JW	DOOR WALL RM 187	
		TOLERANCES:		CHECKED			
		FRACTIONAL ±		ENG APPR.			
		ANGULAR: MACH ± BEND ±		MFG APPR.			
		TWO PLACE DECIMAL ±		Q.A.		SIZE	DWG. NO.
		THREE PLACE DECIMAL ±		COMMENTS:		<b>B</b>	13
		INTERPRET GEOMETRIC TOLERANCING PER:				SCALE: 1:20	WEIGHT:
		MATERIAL				SHEET 13 OF 13	
		FINISH					
NEXT ASSY	USED ON	MATERIAL					
		BEIGE					
APPLICATION		DO NOT SCALE DRAWING					