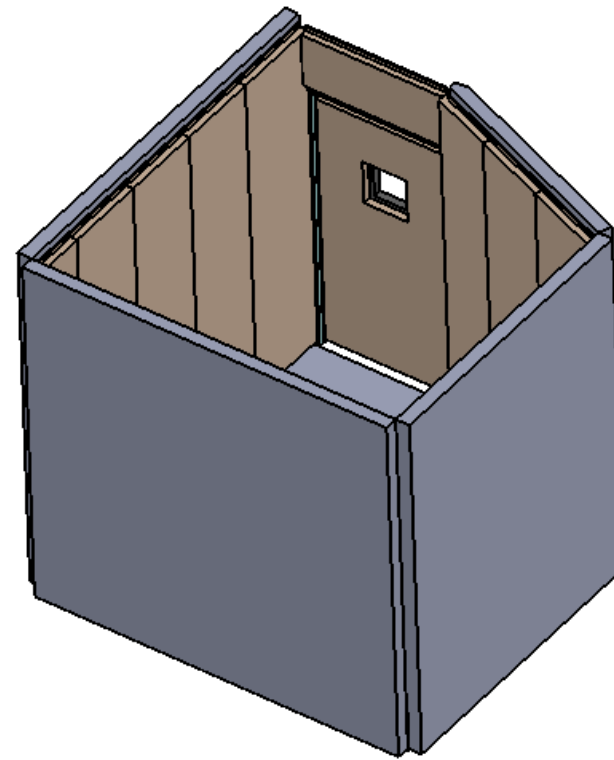
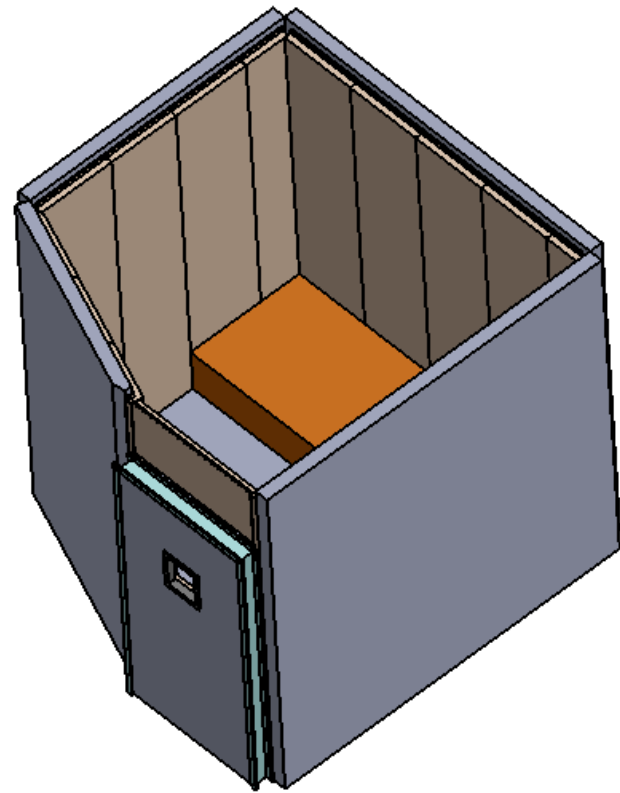


**USE CAUTION WHEN HANDLING PANELS  
SUPPORT ALONG LENGTH TO AVOID CRACKING PANELS**



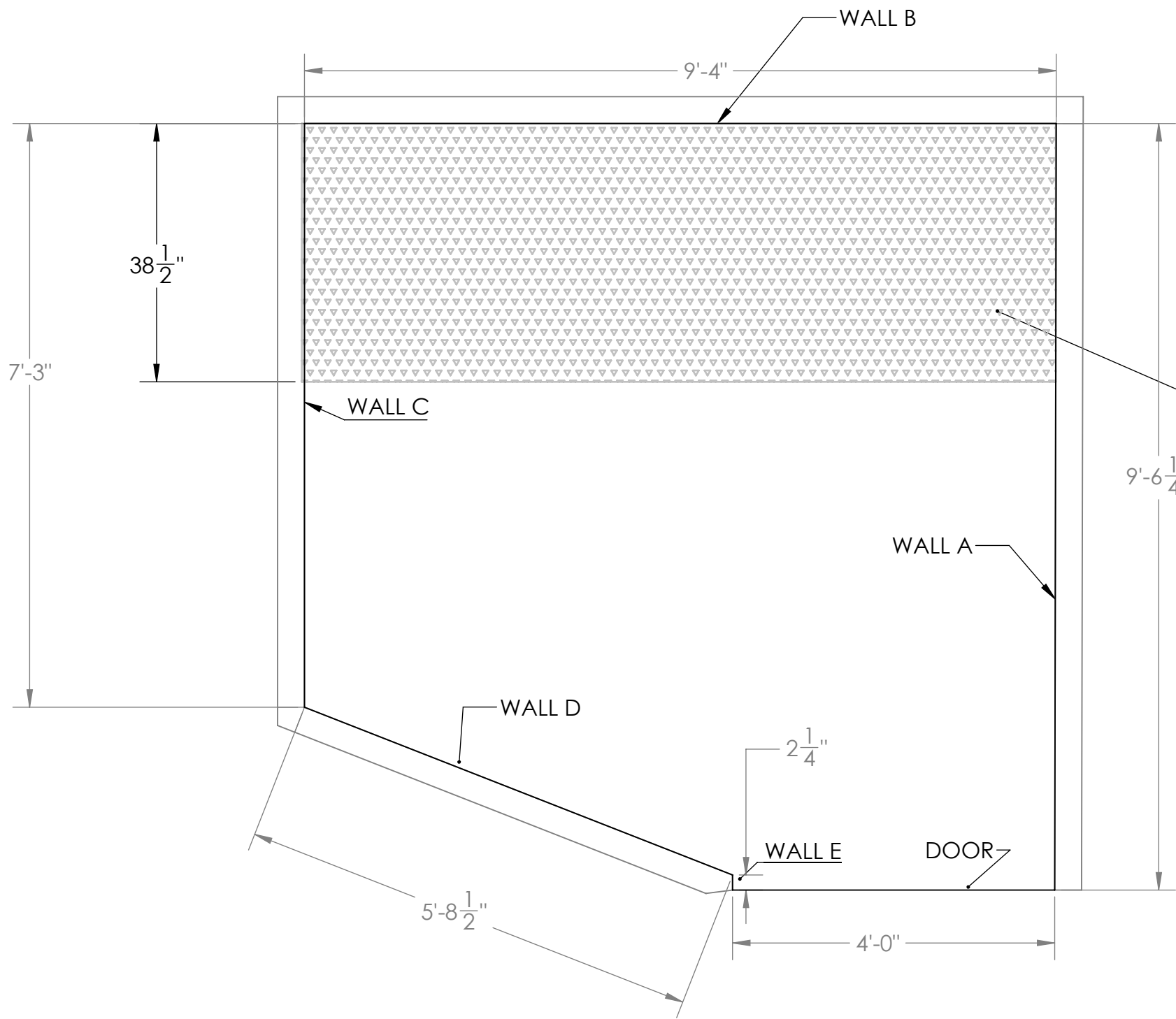
**PROPRIETARY AND CONFIDENTIAL**  
THE INFORMATION CONTAINED IN THIS DRAWING IS THE SOLE PROPERTY OF <INSERT COMPANY NAME HERE>. ANY REPRODUCTION IN PART OR AS A WHOLE WITHOUT THE WRITTEN PERMISSION OF <INSERT COMPANY NAME HERE> IS PROHIBITED.

		UNLESS OTHERWISE SPECIFIED:		NAME	DATE	JOB	
		DIMENSIONS ARE IN INCHES		DRAWN		TITLE:	
		TOLERANCES:		CHECKED		ROOM 124	
		FRACTIONAL ±		ENG APPR.		SIZE	DWG. NO.
		ANGULAR: MACH ± BEND ±		MFG APPR.		<b>B</b>	1
		TWO PLACE DECIMAL ±		Q.A.		REV	
		THREE PLACE DECIMAL ±		COMMENTS:		SCALE: 1:48 WEIGHT:	
		INTERPRET GEOMETRIC TOLERANCING PER:				SHEET 1 OF 13	
		MATERIAL					
NEXT ASSY	USED ON	FINISH					
APPLICATION		DO NOT SCALE DRAWING					

8 7 6 5 4 3 2 1

SPORT SYSTEMS CANADA INC.

<input type="checkbox"/>	APPROVED
<input type="checkbox"/>	APPROVED AS CORRECTED
<input type="checkbox"/>	REVISE AND RESUBMIT
NAME	DATE



PLATFORM (13.5" HT) CEILING HEIGHT - 8' 11 1/2"

THESE ARE THE DIMENSIONS SSCI IS WORKING FROM

**PROPRIETARY AND CONFIDENTIAL**  
 THE INFORMATION CONTAINED IN THIS DRAWING IS THE SOLE PROPERTY OF <INSERT COMPANY NAME HERE>. ANY REPRODUCTION IN PART OR AS A WHOLE WITHOUT THE WRITTEN PERMISSION OF <INSERT COMPANY NAME HERE> IS PROHIBITED.

UNLESS OTHERWISE SPECIFIED:		NAME	DATE
DIMENSIONS ARE IN INCHES		DRAWN	
TOLERANCES:		CHECKED	
FRACTIONAL ±		ENG APPR.	
ANGULAR: MACH ± BEND ±		MFG APPR.	
TWO PLACE DECIMAL ±		Q.A.	
THREE PLACE DECIMAL ±		COMMENTS:	
INTERPRET GEOMETRIC TOLERANCING PER:			
MATERIAL			
FINISH			
NEXT ASSY	USED ON		
APPLICATION			
DO NOT SCALE DRAWING			

TITLE:		
<b>FLOOR RM 124</b>		
SIZE	DWG. NO.	REV
<b>B</b>	<b>2</b>	
SCALE: 1:32 WEIGHT:		SHEET 2 OF 13

8 7 6 5 4 3 2 1

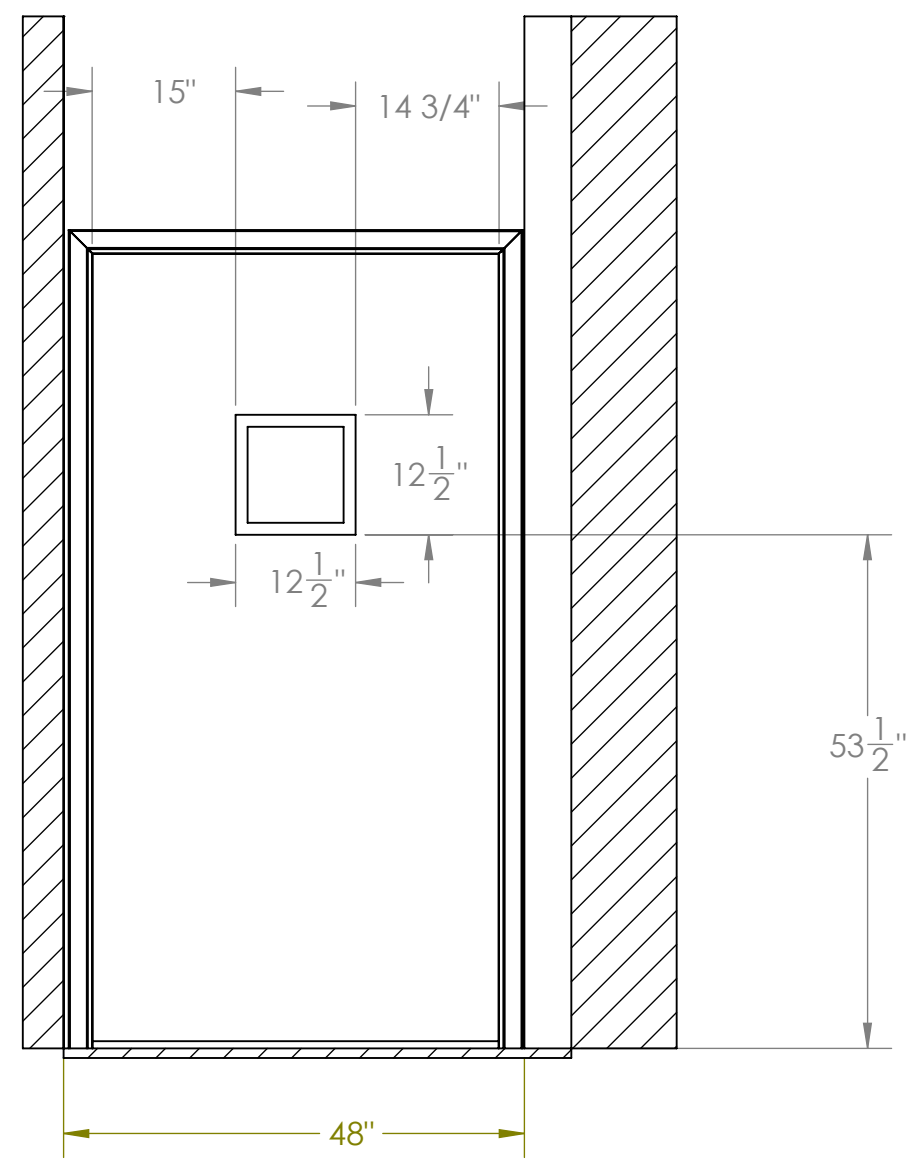
SPORT SYSTEMS CANADA INC.

APPROVED

APPROVED AS CORRECTED

REVISE AND RESUBMIT

NAME \_\_\_\_\_ DATE \_\_\_\_\_



NO DOOR HARDWARE  
NOTED ON INSIDE OF DOOR

DOOR HANDLE ONLY ON  
EXTERIOR OF ROOM

SECTION DOOR-DOOR

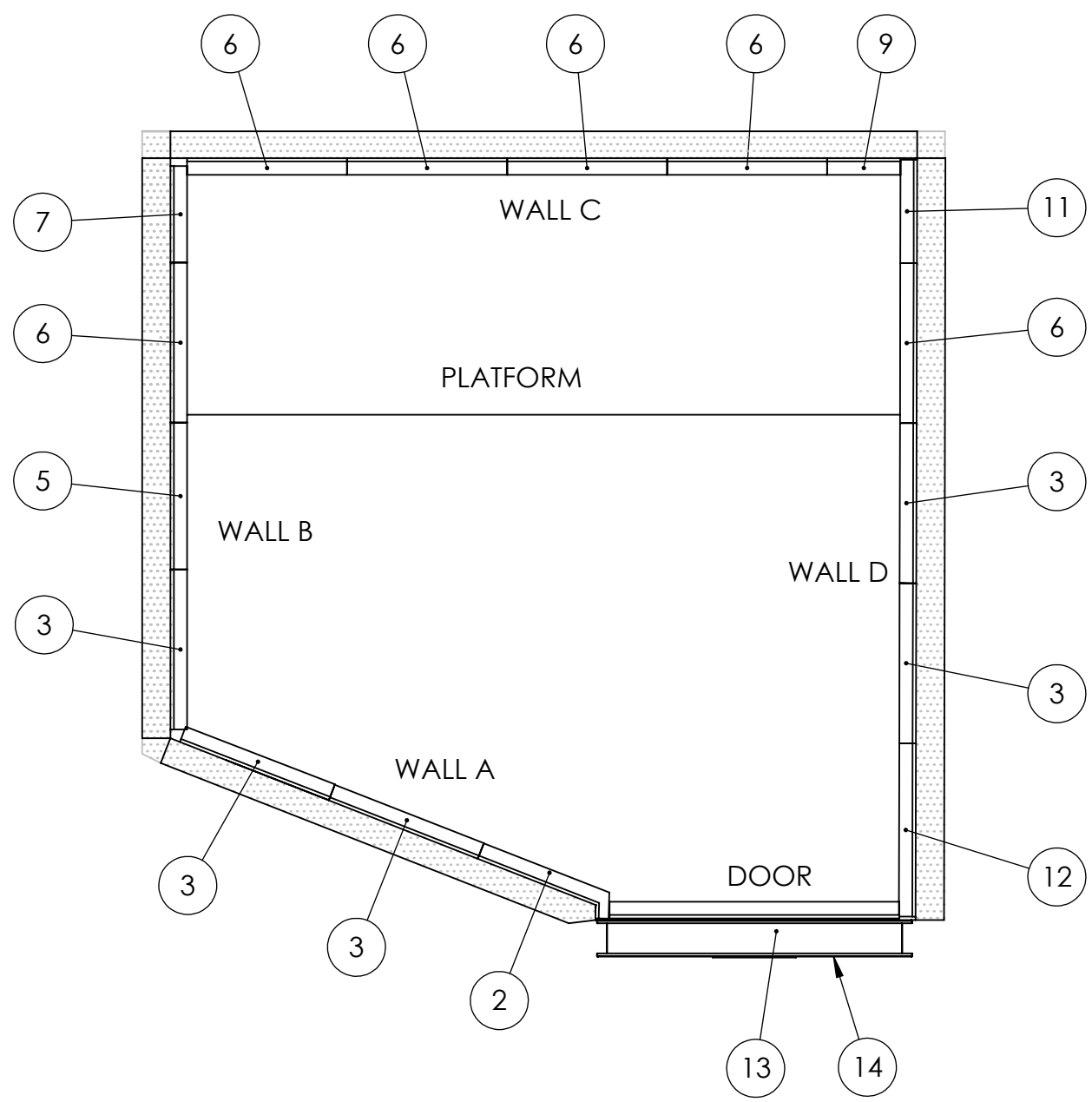
**PROPRIETARY AND CONFIDENTIAL**  
THE INFORMATION CONTAINED IN THIS DRAWING IS THE SOLE PROPERTY OF <INSERT COMPANY NAME HERE>. ANY REPRODUCTION IN PART OR AS A WHOLE WITHOUT THE WRITTEN PERMISSION OF <INSERT COMPANY NAME HERE> IS PROHIBITED.

		UNLESS OTHERWISE SPECIFIED:		NAME	DATE	JOB			
		DIMENSIONS ARE IN INCHES TOLERANCES: FRACTIONAL ± ANGULAR: MACH ± BEND ± TWO PLACE DECIMAL ± THREE PLACE DECIMAL ±		DRAWN		TITLE:			
		INTERPRET GEOMETRIC TOLERANCING PER:		CHECKED		ROOM 124 door dimenisons			
		MATERIAL		ENG APPR.					
		FINISH		MFG APPR.		SIZE	DWG. NO.	REV	
NEXT ASSY	USED ON	DO NOT SCALE DRAWING		Q.A.		<b>B</b>	<b>3</b>		
APPLICATION				COMMENTS:		SCALE: 1:20		WEIGHT:	SHEET 3 OF 13

SPORT SYSTEMS CANADA INC.

APPROVED  
 APPROVED AS CORRECTED  
 REVISE AND RESUBMIT

NAME \_\_\_\_\_ DATE \_\_\_\_\_



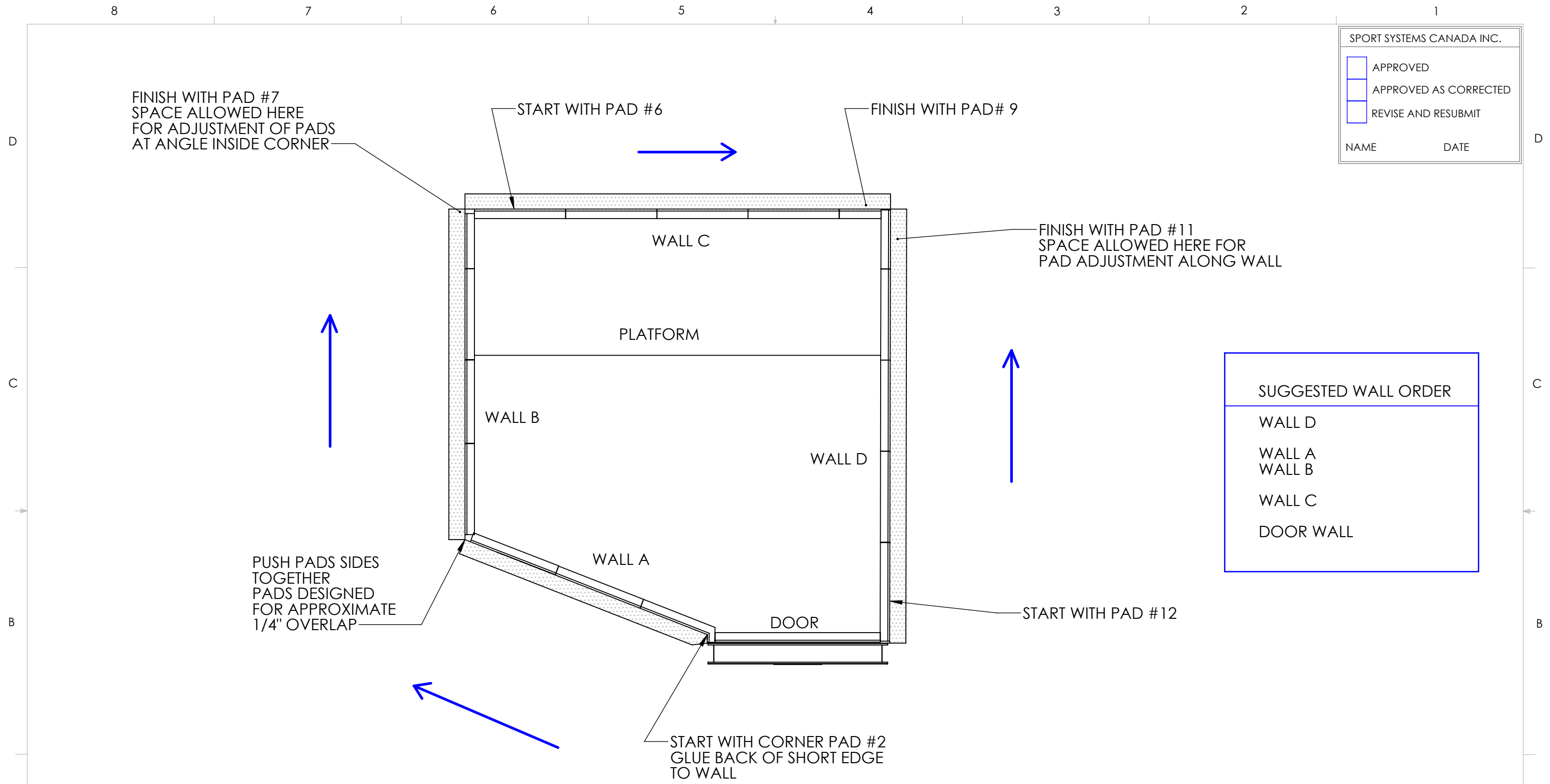
ITEM NO.	PART NUMBER	Description	QTY.
2	WP-FR-CORNER PAD	WP-FR-CORNER PAD 2" X 19" X 104"	1
3	WP-FR-24-104	WALL PAD 24" X 104"	5
5	WP-FR-22-104	WALL PAD 22" X 104"	1
6	WP-FR-24-90.5	WALL PAD 24" X 90.5"	6
7	WP-FR-14.5-90.5	WALL PAD 14.5" X 90.5"	1
9	WP-FR-11-90.5	WALL PAD 11" X 90.5"	1
11	WP-FR-15.5-90.5	WALL PAD 15.5" X 90.5"	1
12	WP-FR-26-104	WALL PAD 26" X 104"	1
13	WP-FR-DR-124	WP-FR-DOOR PAD RM 124	1
14	WP-FR-43.5-19	WALL PAD 43.5" X 19"	1

**PROPRIETARY AND CONFIDENTIAL**  
 THE INFORMATION CONTAINED IN THIS DRAWING IS THE SOLE PROPERTY OF <INSERT COMPANY NAME HERE>. ANY REPRODUCTION IN PART OR AS A WHOLE WITHOUT THE WRITTEN PERMISSION OF <INSERT COMPANY NAME HERE> IS PROHIBITED.

		UNLESS OTHERWISE SPECIFIED:		NAME		DATE	
		DIMENSIONS ARE IN INCHES		DRAWN			
		TOLERANCES:		CHECKED			
		FRACTIONAL ±		ENG APPR.			
		ANGULAR: MACH ± BEND ±		MFG APPR.			
		TWO PLACE DECIMAL ±		Q.A.			
		THREE PLACE DECIMAL ±		COMMENTS:			
		INTERPRET GEOMETRIC TOLERANCING PER:					
		MATERIAL					
		FINISH					
NEXT ASSY	USED ON						
APPLICATION		DO NOT SCALE DRAWING					
				JOB			
				TITLE:			
				ROOM 124			
				WALL PAD LAYOUT			
SIZE	DWG. NO.				REV		
<b>B</b>	<b>4</b>						
SCALE: 1:25			WEIGHT:		SHEET 4 OF 13		

SPORT SYSTEMS CANADA INC.

<input type="checkbox"/>	APPROVED
<input type="checkbox"/>	APPROVED AS CORRECTED
<input type="checkbox"/>	REVISE AND RESUBMIT
NAME	DATE



- SUGGESTED WALL ORDER
- WALL D
  - WALL A
  - WALL B
  - WALL C
  - DOOR WALL

**USE CAUTION WHEN HANDLING PANELS  
SUPPORT ALONG LENGTH TO AVOID CRACKING PANELS**

**PROPRIETARY AND CONFIDENTIAL**  
THE INFORMATION CONTAINED IN THIS DRAWING IS THE SOLE PROPERTY OF <INSERT COMPANY NAME HERE>. ANY REPRODUCTION IN PART OR AS A WHOLE WITHOUT THE WRITTEN PERMISSION OF <INSERT COMPANY NAME HERE> IS PROHIBITED.

		UNLESS OTHERWISE SPECIFIED:		NAME	DATE	JOB	
		DIMENSIONS ARE IN INCHES		DRAWN		TITLE:	
		TOLERANCES:		CHECKED		ROOM 124	
		FRACTIONAL ±		ENG APPR.		WALL PAD INSTALL LAYOUT	
		ANGULAR: MACH ± BEND ±		MFG APPR.		SIZE	DWG. NO.
		TWO PLACE DECIMAL ±		Q.A.		<b>B</b>	<b>5</b>
		THREE PLACE DECIMAL ±		COMMENTS:			REV
		INTERPRET GEOMETRIC TOLERANCING PER:				SCALE: 1:25	WEIGHT:
		MATERIAL					SHEET 5 OF 13
NEXT ASSY	USED ON	FINISH					
APPLICATION		DO NOT SCALE DRAWING					

### WALL PAD INSTALLATION INSTRUCTIONS

LAY PADS OUT ALONG WALL THE CHECK FIT PRIOR TO INSTALLATION. INSTALL PADS WITH CUTOUTS FIRST AND ADJUST OTHER PADS AS NECESSARY

MARK A LEVEL LINE AROUND ROOM AT TOP EDGE INSTALL HEIGHT

#### GENERAL

INSTALL EACH WALL PAD USING A LEVEL WITH THE ARROW ON THE BACK OF THE WALL PAD POINTING UPWARDS

IT IS RECOMMENDED THAT A BEAD OF CONSTRUCTION ADHESIVE (FOR EXAMPLE LePAGE PL 2000 ADHESIVE IS PLACED HORIZONTALLY IN 2 OR 3 LOCATIONS SPACED ALONG THE LENGTH OF THE PANEL

FASTEN EACH WALL PAD THE THE WALL WITH 2-3 SCREWS IN EACH OF THE TOP AND BOTTOM FASTENING MARGINS

FOR ATTACHMENT TO CONCRETE WALL, USE TAPCON SCREWS (3/16" X 1-3/4") AND PRE DRILL HOLES USING THE DRILL BIT THAT IS PROVIDED IN THE TAPCON BOX

FOR ATTACHMENT TO WOOD STUD WALLS, SCREW INTO STUDS WHERE POSSIBLE OR MOUNT FURRING STRIPS HORIZONTALLY ALONG THE TOP, MIDDLE AND BOTTOM OF WHERE THE PADS WILL BE MOUNTED ON THE WALL

TO REDUCE PAD SIZE REMOVE STAPLES ALONG ONE SIDE AND FOLD BACK TRIM OSB AND FOAM WITH SKIL SAW TO DESIRED WIDTH AND RESTAPLE VINYL

RM 124/187

**USE CAUTION WHEN HANDLING THE FULL LENGTH PADS, DUE TO THE LENGTH, PANELS ARE VERY FLEXIBLE.**

#### CORNER PAD

USE A BEAD OF GLUE ALONG THE ENTIRE INSIDE LENGTH OF THE SHORT SIDE TO HOLD IN PLACE

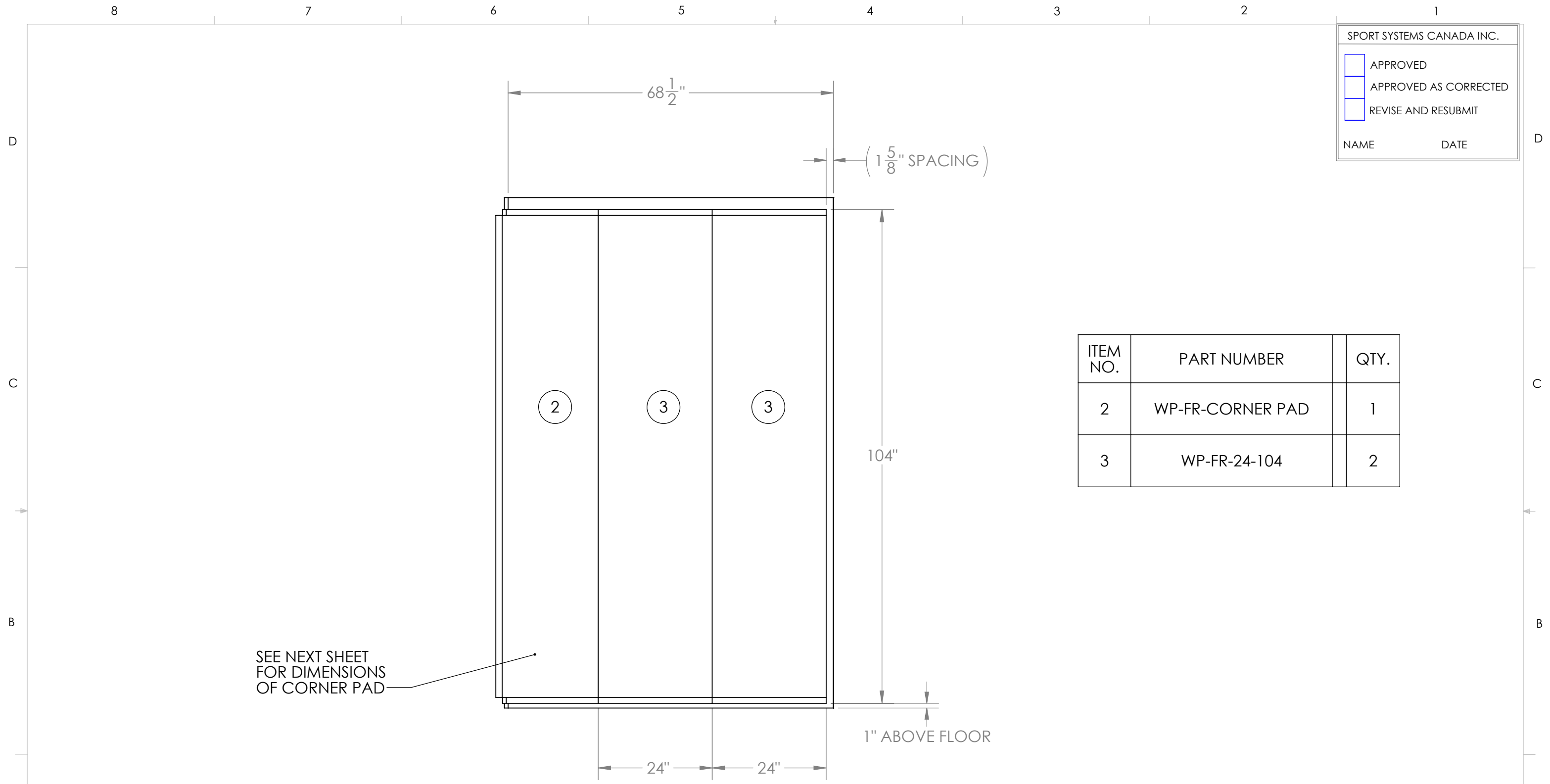
**PROPRIETARY AND CONFIDENTIAL**  
THE INFORMATION CONTAINED IN THIS DRAWING IS THE SOLE PROPERTY OF <INSERT COMPANY NAME HERE>. ANY REPRODUCTION IN PART OR AS A WHOLE WITHOUT THE WRITTEN PERMISSION OF <INSERT COMPANY NAME HERE> IS PROHIBITED.

		UNLESS OTHERWISE SPECIFIED:		NAME	DATE	JOB#	TITLE:		
		DIMENSIONS ARE IN INCHES				WALL PADDING INSTALLATION			
		TOLERANCES:							
		FRACTIONAL ±							
		ANGULAR: MACH ± BEND ±							
		TWO PLACE DECIMAL ±				SIZE	DWG. NO.	REV	
		THREE PLACE DECIMAL ±				<b>B</b>	<b>6</b>		
		INTERPRET GEOMETRIC TOLERANCING PER:				SCALE: 1:16		WEIGHT:	SHEET 6 OF 13
		MATERIAL							
		FINISH							
NEXT ASSY	USED ON								
APPLICATION		DO NOT SCALE DRAWING							

SPORT SYSTEMS CANADA INC.

APPROVED  
 APPROVED AS CORRECTED  
 REVISE AND RESUBMIT

NAME \_\_\_\_\_ DATE \_\_\_\_\_



ITEM NO.	PART NUMBER	QTY.
2	WP-FR-CORNER PAD	1
3	WP-FR-24-104	2

SEE NEXT SHEET FOR DIMENSIONS OF CORNER PAD

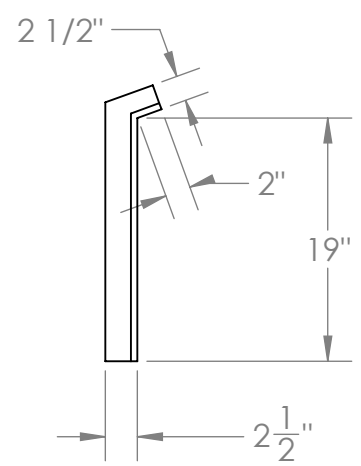
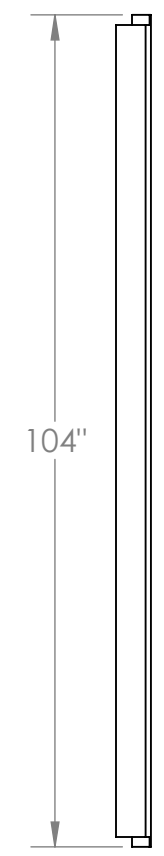
**PROPRIETARY AND CONFIDENTIAL**  
 THE INFORMATION CONTAINED IN THIS DRAWING IS THE SOLE PROPERTY OF <INSERT COMPANY NAME HERE>. ANY REPRODUCTION IN PART OR AS A WHOLE WITHOUT THE WRITTEN PERMISSION OF <INSERT COMPANY NAME HERE> IS PROHIBITED.

		UNLESS OTHERWISE SPECIFIED:		NAME	DATE	JOB		
		DIMENSIONS ARE IN INCHES		DRAWN		TITLE:		
		TOLERANCES:		CHECKED		ROOM 124		
		FRACTIONAL ±		ENG APPR.		PADS WALL A		
		ANGULAR: MACH ± BEND ±		MFG APPR.		SIZE	DWG. NO.	REV
		TWO PLACE DECIMAL ±		Q.A.		<b>B</b>	<b>7</b>	
		THREE PLACE DECIMAL ±		COMMENTS:		SCALE: 1:20		WEIGHT:
		INTERPRET GEOMETRIC TOLERANCING PER:				SHEET 7 OF 13		
		MATERIAL						
NEXT ASSY	USED ON	FINISH						
APPLICATION		DO NOT SCALE DRAWING						

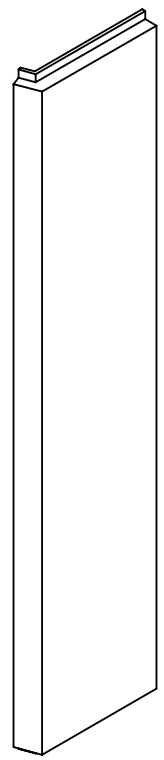
SPORT SYSTEMS CANADA INC.

APPROVED  
 APPROVED AS CORRECTED  
 REVISE AND RESUBMIT

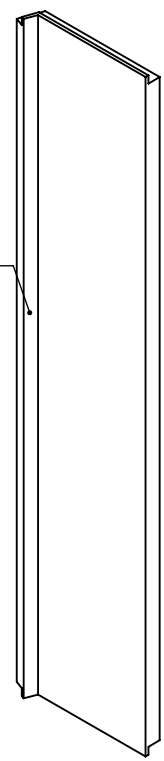
NAME \_\_\_\_\_ DATE \_\_\_\_\_



ANGLE ~ 110 DEG



ISO VIEW



OPPOSITE ISO VIEW

USE CONSTRUCTION ADHESIVE ALONG THIS EDGE TO SECURE

**PROPRIETARY AND CONFIDENTIAL**  
 THE INFORMATION CONTAINED IN THIS DRAWING IS THE SOLE PROPERTY OF <INSERT COMPANY NAME HERE>. ANY REPRODUCTION IN PART OR AS A WHOLE WITHOUT THE WRITTEN PERMISSION OF <INSERT COMPANY NAME HERE> IS PROHIBITED.

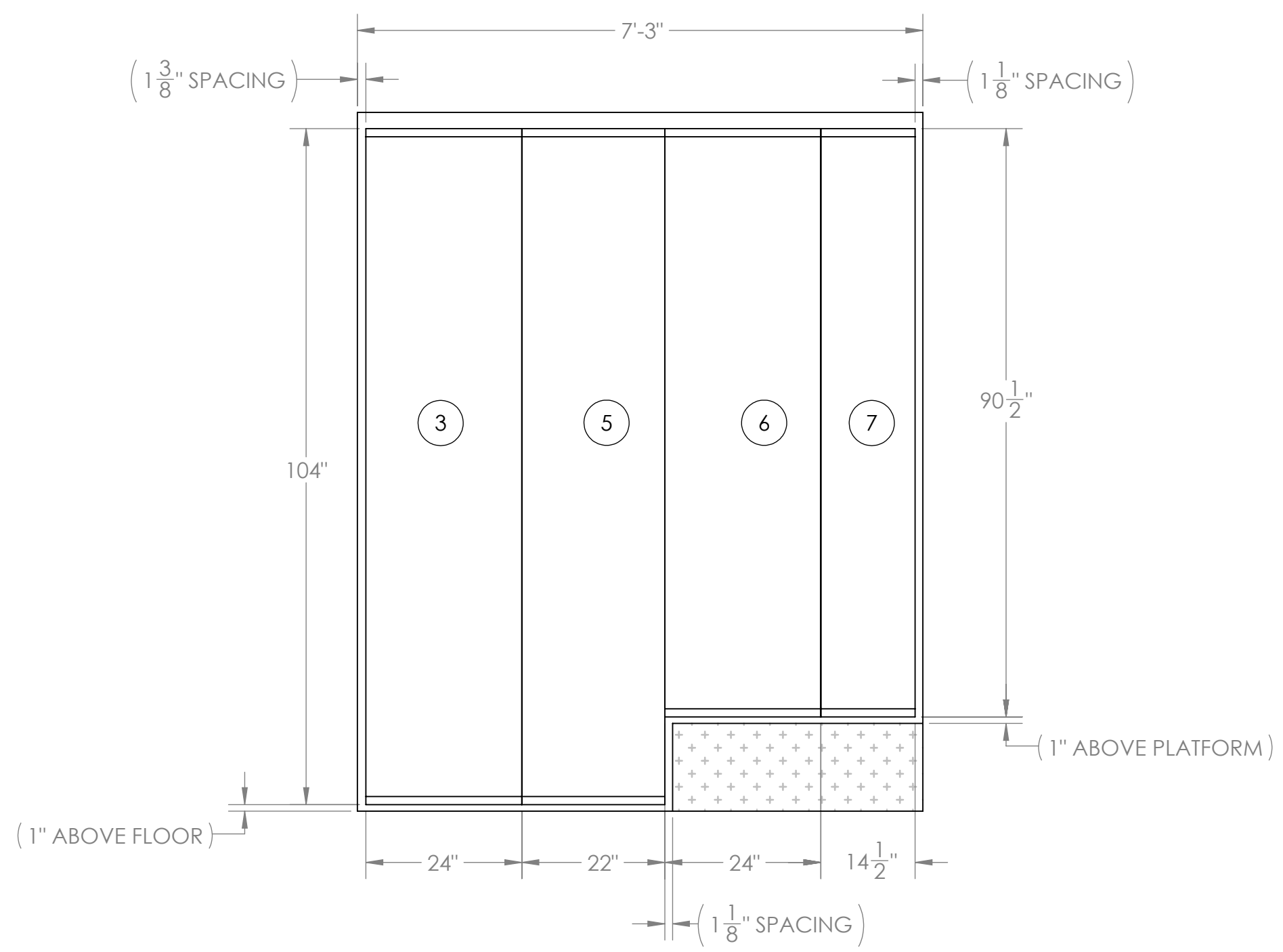
		UNLESS OTHERWISE SPECIFIED:		NAME	DATE	JOB	
		DIMENSIONS ARE IN INCHES		DRAWN		TITLE:	
		TOLERANCES:		CHECKED		WP-FR-CORNER PAD 2" X 19" X 104"	
		FRACTIONAL ±		ENG APPR.		ROOM 124	
		ANGULAR: MACH ± BEND ±		MFG APPR.		SIZE	DWG. NO.
		TWO PLACE DECIMAL ±		Q.A.		<b>B</b>	<b>8</b>
		THREE PLACE DECIMAL ±		COMMENTS:			REV
		INTERPRET GEOMETRIC TOLERANCING PER:				SCALE: 1:24 WEIGHT:	
		MATERIAL				SHEET 8 OF 13	
NEXT ASSY	USED ON	FINISH					
APPLICATION		DO NOT SCALE DRAWING					



SPORT SYSTEMS CANADA INC.

APPROVED  
 APPROVED AS CORRECTED  
 REVISE AND RESUBMIT

NAME \_\_\_\_\_ DATE \_\_\_\_\_



ITEM NO.	PART NUMBER	QTY.
3	WP-FR-24-104	1
5	WP-FR-22-104	1
6	WP-FR-24-90.5	1
7	WP-FR-14.5-90.5	1

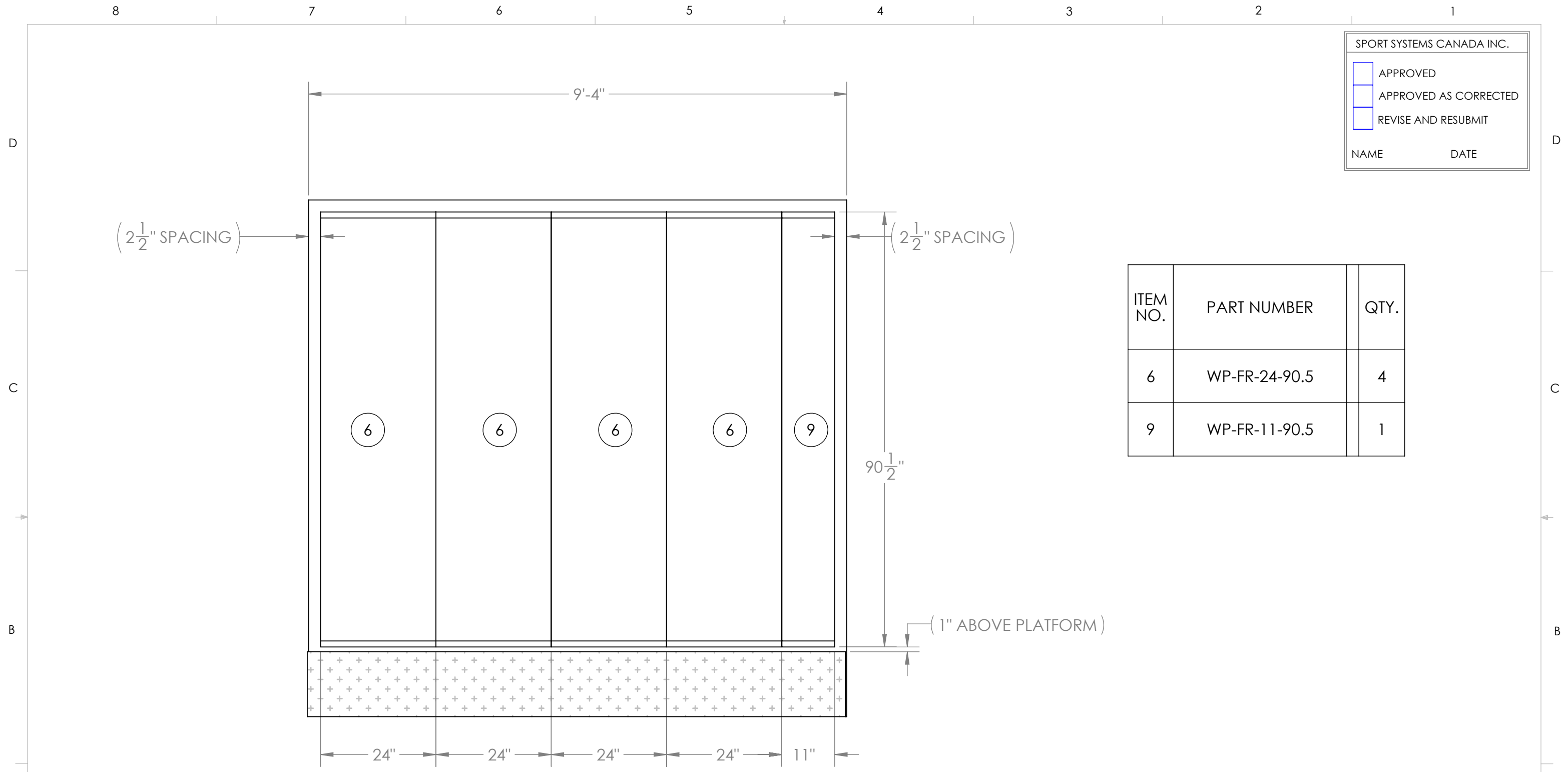
**PROPRIETARY AND CONFIDENTIAL**  
 THE INFORMATION CONTAINED IN THIS DRAWING IS THE SOLE PROPERTY OF <INSERT COMPANY NAME HERE>. ANY REPRODUCTION IN PART OR AS A WHOLE WITHOUT THE WRITTEN PERMISSION OF <INSERT COMPANY NAME HERE> IS PROHIBITED.

		UNLESS OTHERWISE SPECIFIED:		NAME		DATE		JOB	
		DIMENSIONS ARE IN INCHES		DRAWN				TITLE:	
		TOLERANCES:		CHECKED				PADS WALL B	
		FRACTIONAL ±		ENG APPR.				ROOM 124	
		ANGULAR: MACH ± BEND ±		MFG APPR.				SIZE DWG. NO. REV	
		TWO PLACE DECIMAL ±		Q.A.				B 9	
		THREE PLACE DECIMAL ±		COMMENTS:				SCALE: 1:20 WEIGHT: SHEET 9 OF 13	
		INTERPRET GEOMETRIC TOLERANCING PER:							
		MATERIAL							
NEXT ASSY		USED ON		FINISH					
APPLICATION				DO NOT SCALE DRAWING					

SPORT SYSTEMS CANADA INC.

APPROVED  
 APPROVED AS CORRECTED  
 REVISE AND RESUBMIT

NAME \_\_\_\_\_ DATE \_\_\_\_\_



ITEM NO.	PART NUMBER	QTY.
6	WP-FR-24-90.5	4
9	WP-FR-11-90.5	1

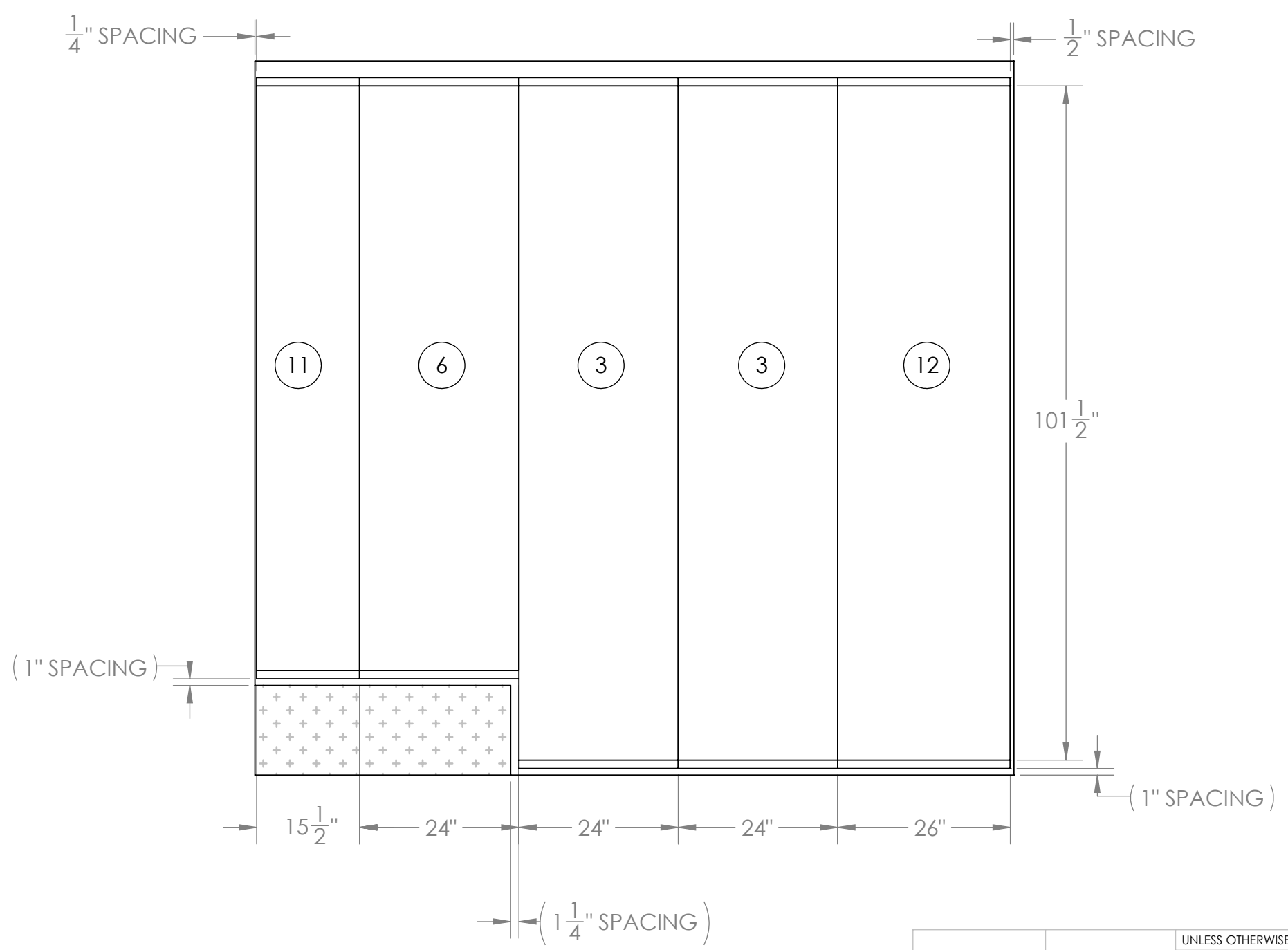
**PROPRIETARY AND CONFIDENTIAL**  
 THE INFORMATION CONTAINED IN THIS DRAWING IS THE SOLE PROPERTY OF <INSERT COMPANY NAME HERE>. ANY REPRODUCTION IN PART OR AS A WHOLE WITHOUT THE WRITTEN PERMISSION OF <INSERT COMPANY NAME HERE> IS PROHIBITED.

		UNLESS OTHERWISE SPECIFIED:				JOB	
		DIMENSIONS ARE IN INCHES		DRAWN		TITLE:	
		TOLERANCES:		CHECKED		PADS WALL C	
		FRACTIONAL ±		ENG APPR.		ROOM 124	
		ANGULAR: MACH ± BEND ±		MFG APPR.		SIZE DWG. NO. REV	
		TWO PLACE DECIMAL ±		Q.A.		B 10	
		THREE PLACE DECIMAL ±		COMMENTS:		SCALE: 1:20 WEIGHT: SHEET 10 OF 13	
		INTERPRET GEOMETRIC TOLERANCING PER:					
		MATERIAL					
NEXT ASSY		USED ON					
APPLICATION		FINISH					
		DO NOT SCALE DRAWING					

SPORT SYSTEMS CANADA INC.

APPROVED  
 APPROVED AS CORRECTED  
 REVISE AND RESUBMIT

NAME \_\_\_\_\_ DATE \_\_\_\_\_



ITEM NO.	PART NUMBER	QTY.
3	WP-FR-24-104	2
6	WP-FR-24-90.5	1
11	WP-FR-15.5-90.5	1
12	WP-FR-26-104	1

11 6 3 3 12

**PROPRIETARY AND CONFIDENTIAL**  
 THE INFORMATION CONTAINED IN THIS DRAWING IS THE SOLE PROPERTY OF <INSERT COMPANY NAME HERE>. ANY REPRODUCTION IN PART OR AS A WHOLE WITHOUT THE WRITTEN PERMISSION OF <INSERT COMPANY NAME HERE> IS PROHIBITED.

		UNLESS OTHERWISE SPECIFIED:		NAME		DATE		JOB TITLE:	
		DIMENSIONS ARE IN INCHES		DRAWN				PADS WALL D	
		TOLERANCES:		CHECKED				ROOM 124	
		FRACTIONAL ±		ENG APPR.				SIZE DWG. NO. REV	
		ANGULAR: MACH ± BEND ±		MFG APPR.				B 11	
		TWO PLACE DECIMAL ±		Q.A.				SCALE: 1:20 WEIGHT: SHEET 11 OF 13	
		THREE PLACE DECIMAL ±		COMMENTS:					
		INTERPRET GEOMETRIC TOLERANCING PER:							
		MATERIAL							
NEXT ASSY		USED ON		FINISH					
APPLICATION				DO NOT SCALE DRAWING					

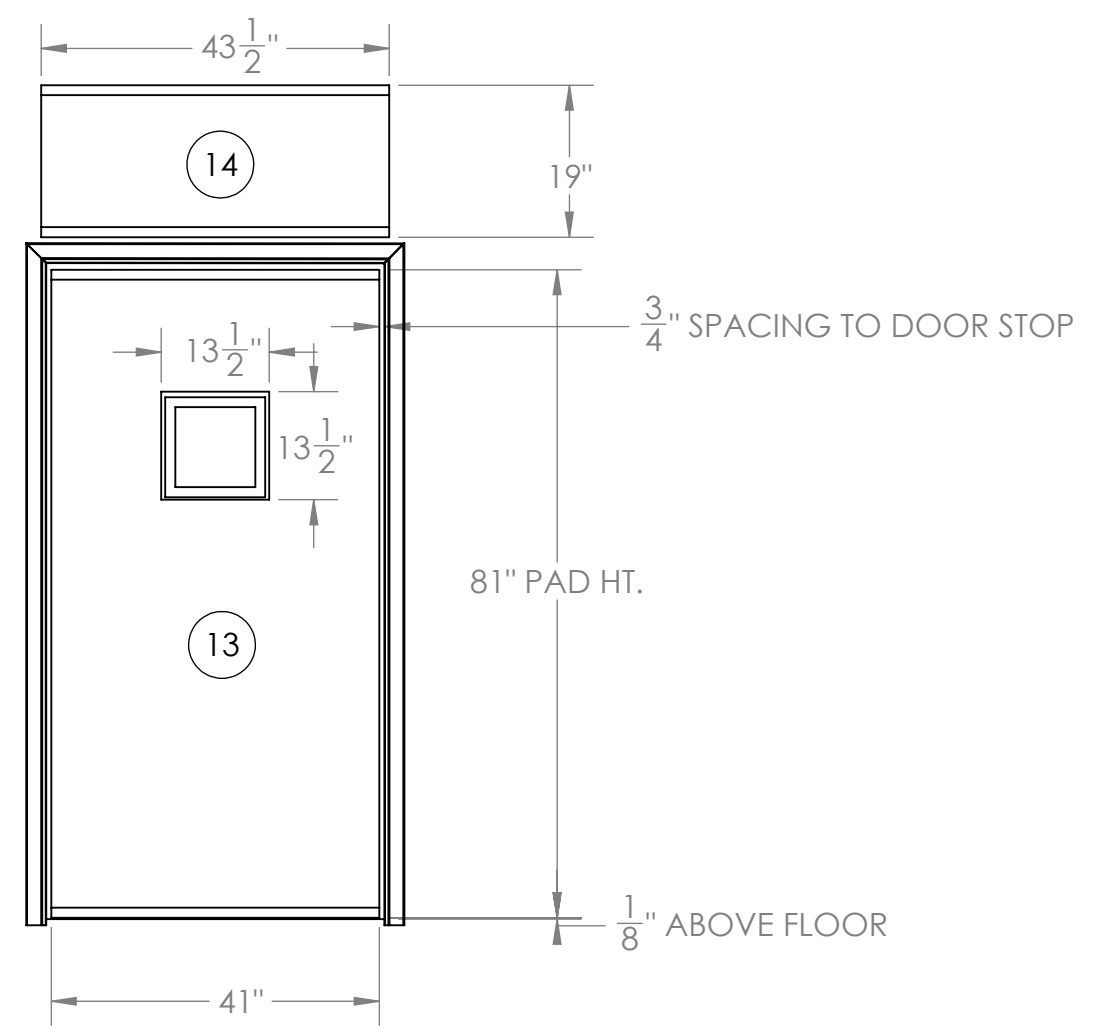
8 7 6 5 4 3 2 1

D  
C  
B  
A

SPORT SYSTEMS CANADA INC.

APPROVED  
 APPROVED AS CORRECTED  
 REVISE AND RESUBMIT

NAME \_\_\_\_\_ DATE \_\_\_\_\_



ITEM NO.	PART NUMBER	QTY.
13	WP-FR-DR-124	1
14	WP-FR-43.5-19	1

FRAME 42.25" STOP TO STOP

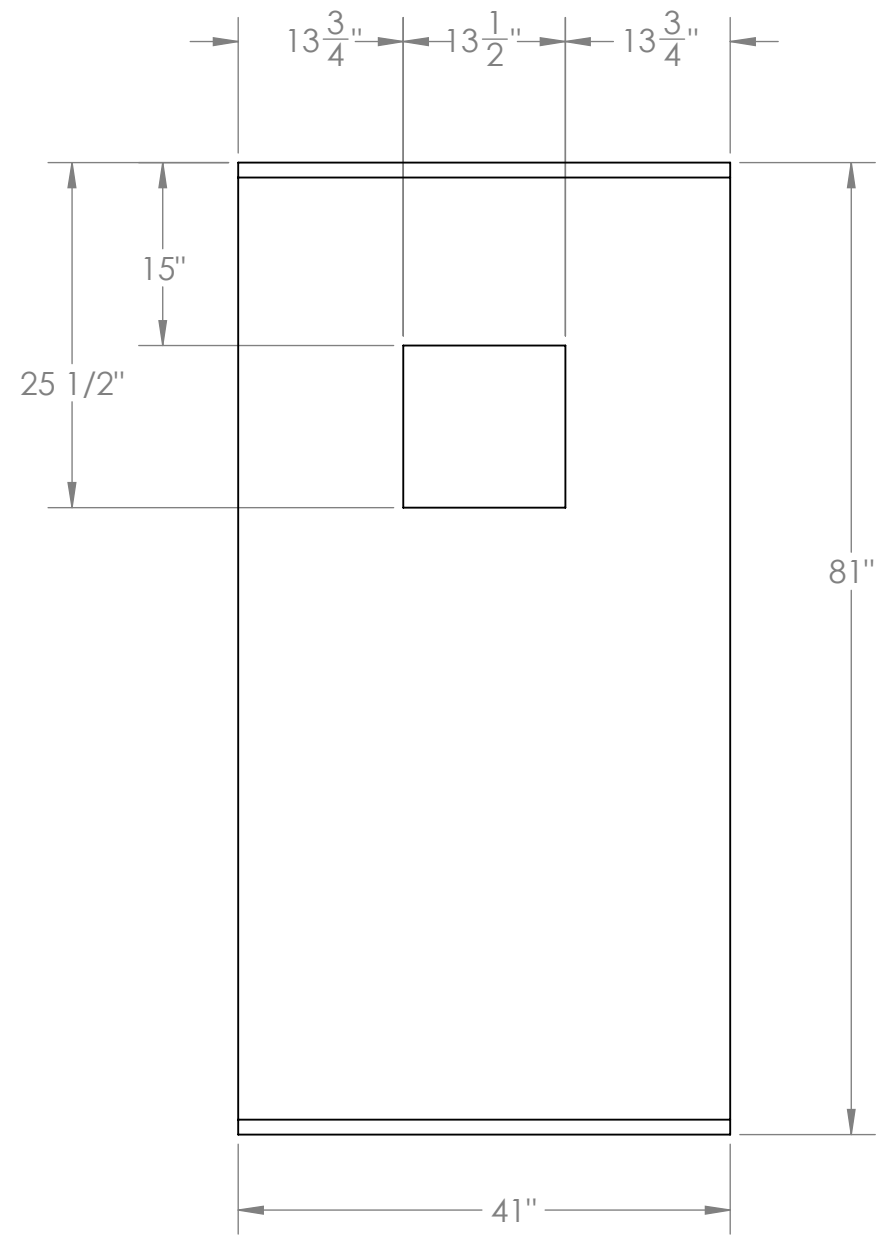
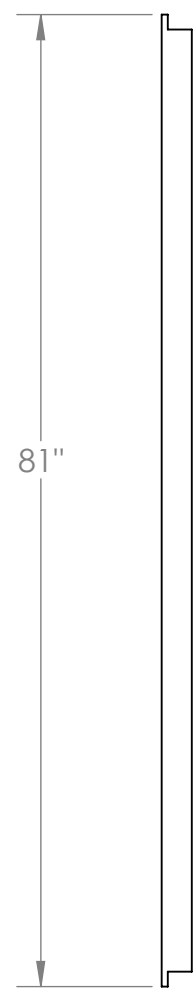
**PROPRIETARY AND CONFIDENTIAL**  
 THE INFORMATION CONTAINED IN THIS DRAWING IS THE SOLE PROPERTY OF <INSERT COMPANY NAME HERE>. ANY REPRODUCTION IN PART OR AS A WHOLE WITHOUT THE WRITTEN PERMISSION OF <INSERT COMPANY NAME HERE> IS PROHIBITED.

		UNLESS OTHERWISE SPECIFIED:		NAME	DATE	JOB #	
		DIMENSIONS ARE IN INCHES		DRAWN		TITLE:	
		TOLERANCES:		CHECKED		ROOM 124	
		FRACTIONAL ±		ENG APPR.		PADS DOOR	
		ANGULAR: MACH ± BEND ±		MFG APPR.		SIZE	DWG. NO.
		TWO PLACE DECIMAL ±		Q.A.		<b>B</b>	12
		THREE PLACE DECIMAL ±		COMMENTS:			REV
		INTERPRET GEOMETRIC TOLERANCING PER:				SCALE: 1:24 WEIGHT:	
		MATERIAL				SHEET 12 OF 13	
NEXT ASSY	USED ON	FINISH					
APPLICATION		DO NOT SCALE DRAWING					

8 7 6 5 4 3 2 1

8 7 6 5 4 3 2 1

D  
C  
B  
A



ITEMS #12 ( ROOM 187) AND #13(ROOM 124)

SAME SIZE DOOR PAD USED FOR BOTH ROOMS  
MINOR DIMENSION VARIANCE

**PROPRIETARY AND CONFIDENTIAL**  
THE INFORMATION CONTAINED IN THIS DRAWING IS THE SOLE PROPERTY OF <INSERT COMPANY NAME HERE>. ANY REPRODUCTION IN PART OR AS A WHOLE WITHOUT THE WRITTEN PERMISSION OF <INSERT COMPANY NAME HERE> IS PROHIBITED.

		UNLESS OTHERWISE SPECIFIED:		NAME	DATE	JOB# TITLE:		
		DIMENSIONS ARE IN INCHES				WP-FR-DOOR PAD RM 124/187		
		TOLERANCES:	DRAWN					
		FRACTIONAL ±	CHECKED					
		ANGULAR: MACH ± BEND ±	ENG APPR.					
		TWO PLACE DECIMAL ±	MFG APPR.					
		THREE PLACE DECIMAL ±	Q.A.					
		INTERPRET GEOMETRIC TOLERANCING PER:	COMMENTS:					
		MATERIAL				SIZE	DWG. NO.	REV
		FINISH				<b>B</b>	<b>13</b>	
NEXT ASSY	USED ON					SCALE: 1:16 WEIGHT:		SHEET 13 OF 13
APPLICATION		DO NOT SCALE DRAWING						

8 7 6 5 4 3 2 1