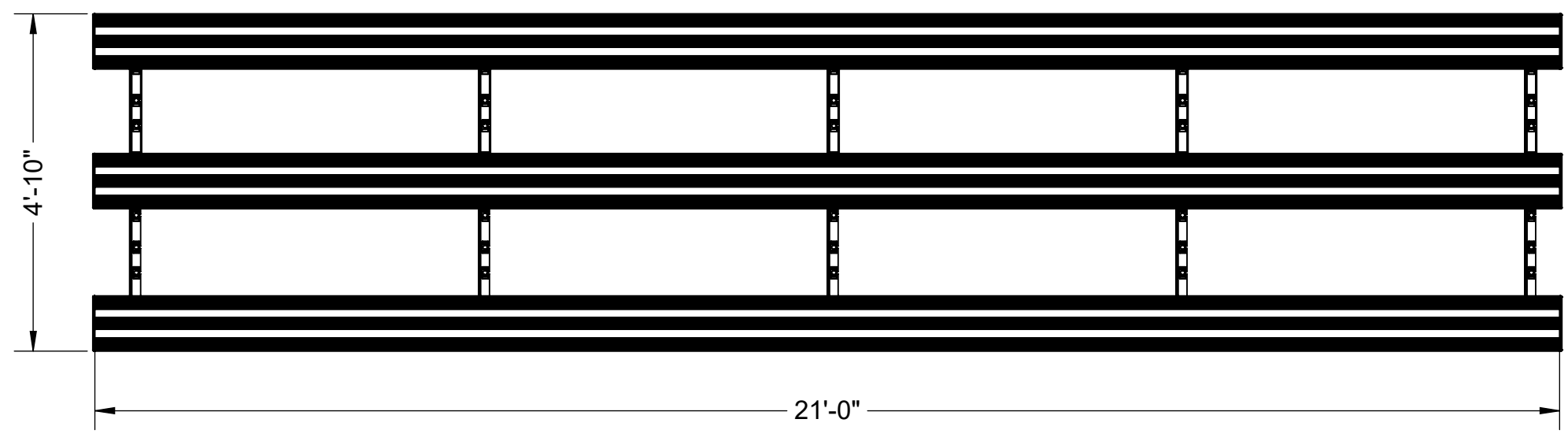
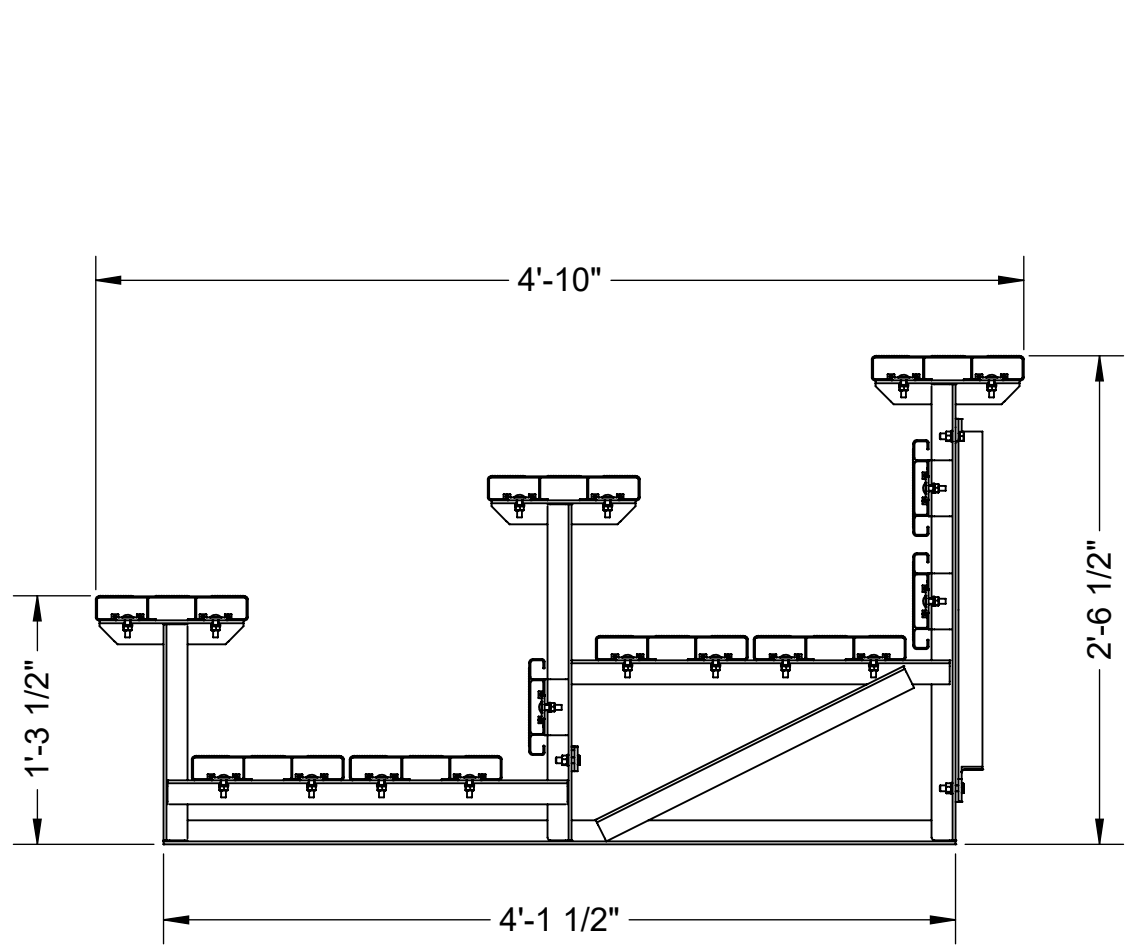


REVISIONS			
REV.	DESCRIPTION	DATE	APPROVED

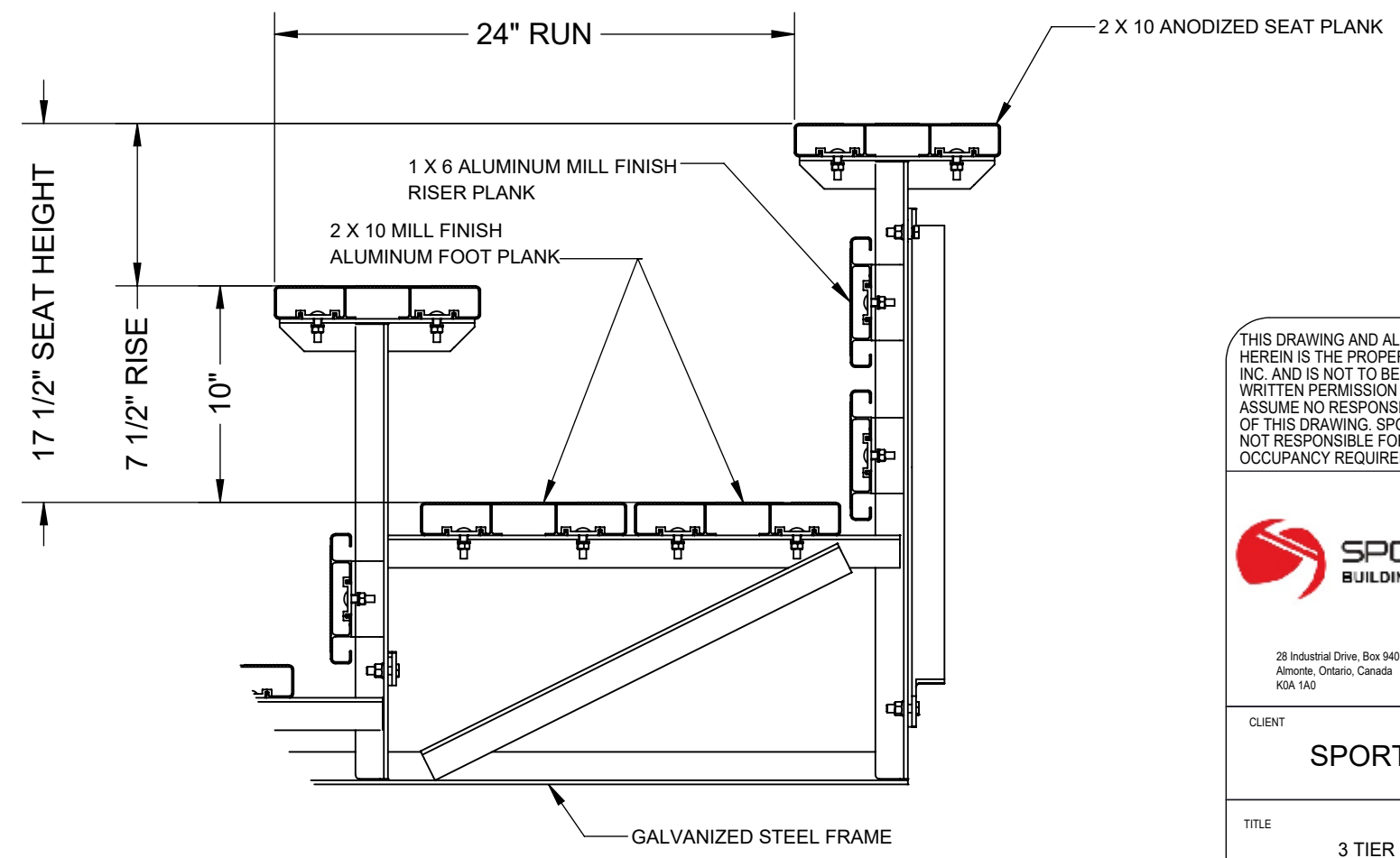


SEATING PLAN

BENCH SEATS @ 18" PER SEAT = 42



SECTION THROUGH BLEACHER SEATING



TYPICAL SEAT AND FLOOR BOARD DETAIL
NOT TO SCALE

THIS DRAWING AND ALL INFORMATION CONTAINED HEREIN IS THE PROPERTY OF SPORT SYSTEMS CANADA INC. AND IS NOT TO BE REPRODUCED WITHOUT THE WRITTEN PERMISSION OF THIS MANUFACTURER. WE ASSUME NO RESPONSIBILITY FOR UNAUTHORIZED USE OF THIS DRAWING. SPORT SYSTEMS CANADA INC. IS NOT RESPONSIBLE FOR LOCAL PERMITS AND OCCUPANCY REQUIREMENTS.



28 Industrial Drive, Box 940
Almonte, Ontario, Canada
K0A 1A0

www.ssci.ca
1.877.600.4667
T 613.256.1112
F 613.256.5876

CLIENT
SPORT SYSTEMS

TITLE
3 TIER 21' BLEACHER

REV. 0	DATE 2023-05-17	DWG No. BL-3TB-21DR
-----------	--------------------	------------------------

SCALE N.T.S.	DES. JC	PAGE 1 OF 1
-----------------	------------	----------------