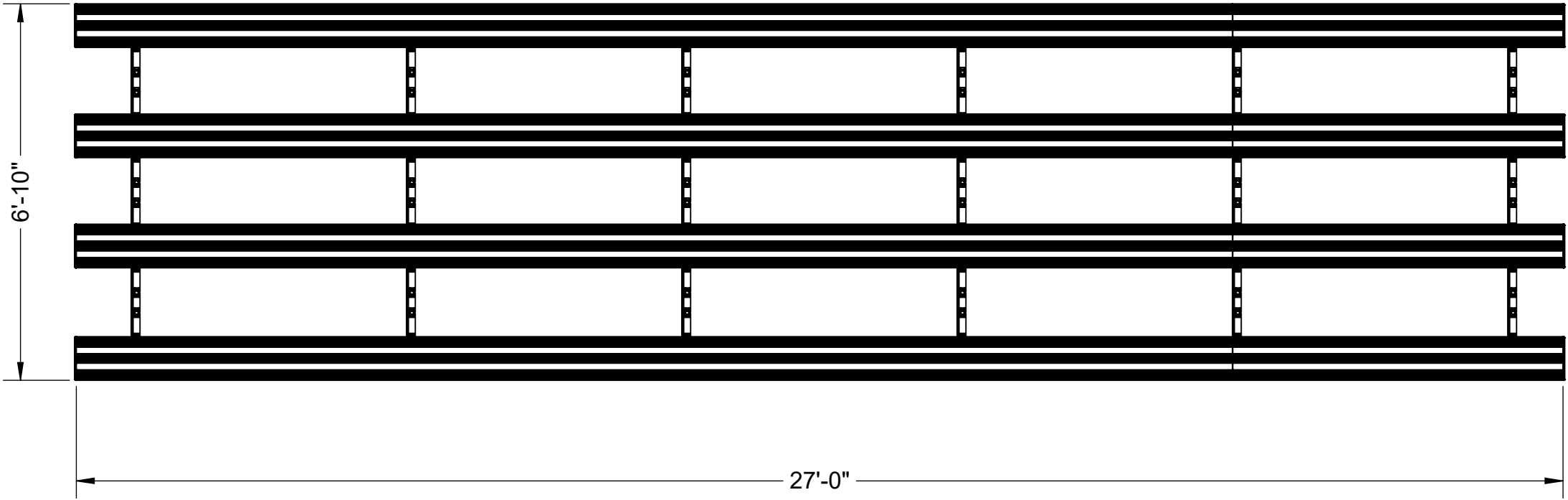
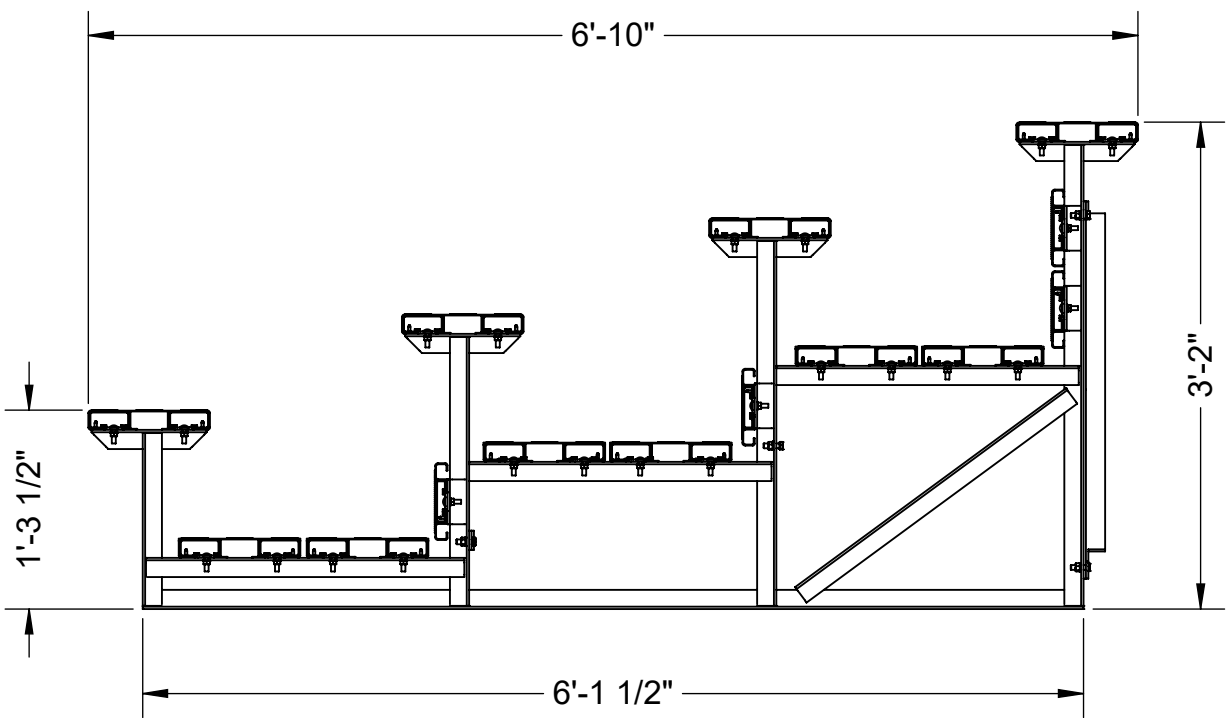


REVISIONS			
REV.	DESCRIPTION	DATE	APPROVED

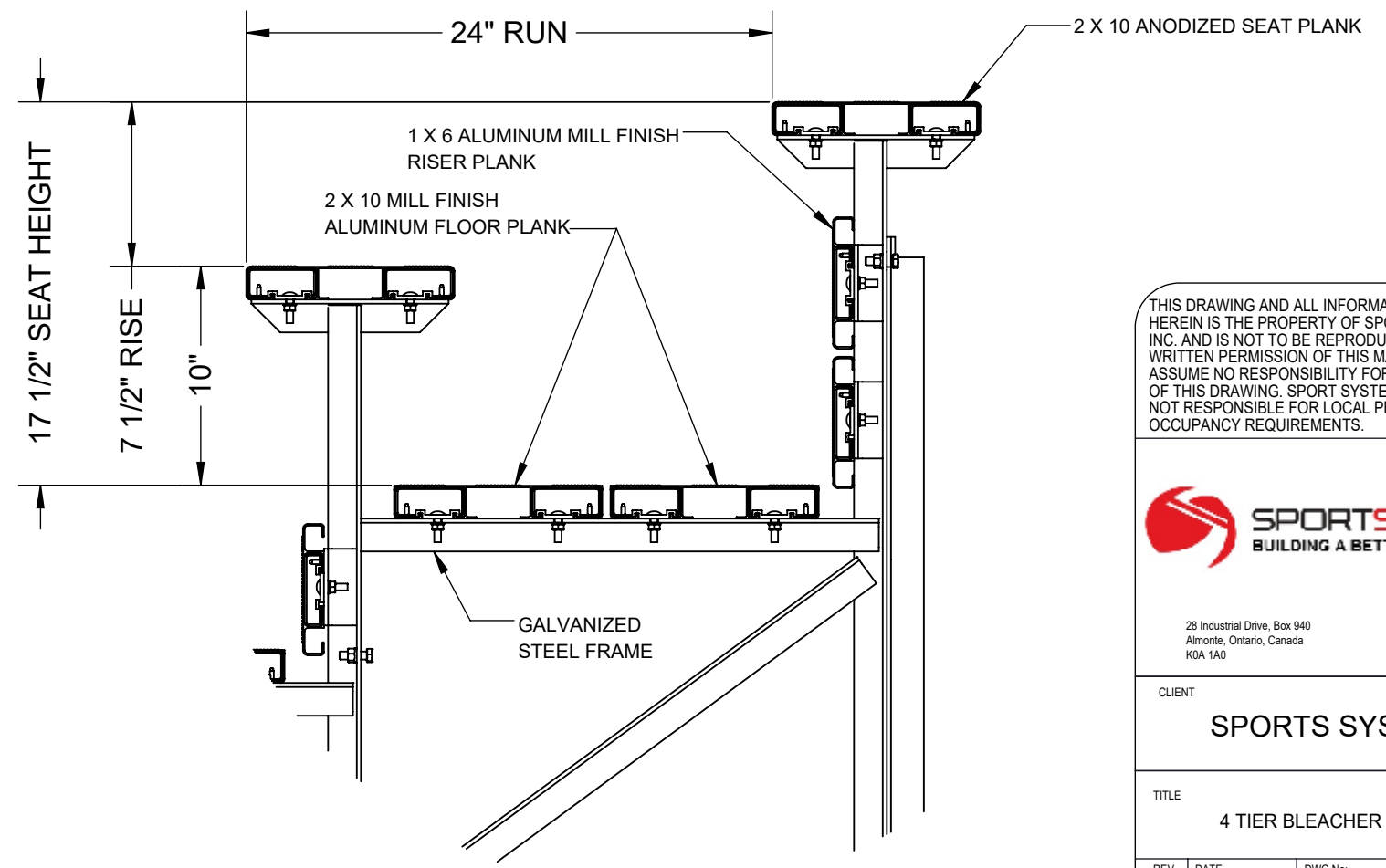
BENCH SEATS @ 18" PER SEAT = 72



SEATING PLAN



SECTION THROUGH BLEACHER SEATING



TYPICAL SEAT AND FLOOR BOARD DETAIL  
NOT TO SCALE

THIS DRAWING AND ALL INFORMATION CONTAINED HEREIN IS THE PROPERTY OF SPORT SYSTEMS CANADA INC. AND IS NOT TO BE REPRODUCED WITHOUT THE WRITTEN PERMISSION OF THIS MANUFACTURER. WE ASSUME NO RESPONSIBILITY FOR UNAUTHORIZED USE OF THIS DRAWING. SPORT SYSTEMS CANADA INC. IS NOT RESPONSIBLE FOR LOCAL PERMITS AND OCCUPANCY REQUIREMENTS.



28 Industrial Drive, Box 940  
Almonte, Ontario, Canada  
K0A 1A0  
www.ssci.ca  
1.877.600.4667  
T 613.256.1112  
F 613.256.5876

CLIENT  
**SPORTS SYSTEMS**

TITLE  
**4 TIER BLEACHER 27' LONG**

REV.	DATE	DWG No.
0	2023-05-23	BL-4TB-27DR

SCALE	DES.	PAGE
N.T.S.	JC	1 OF 1