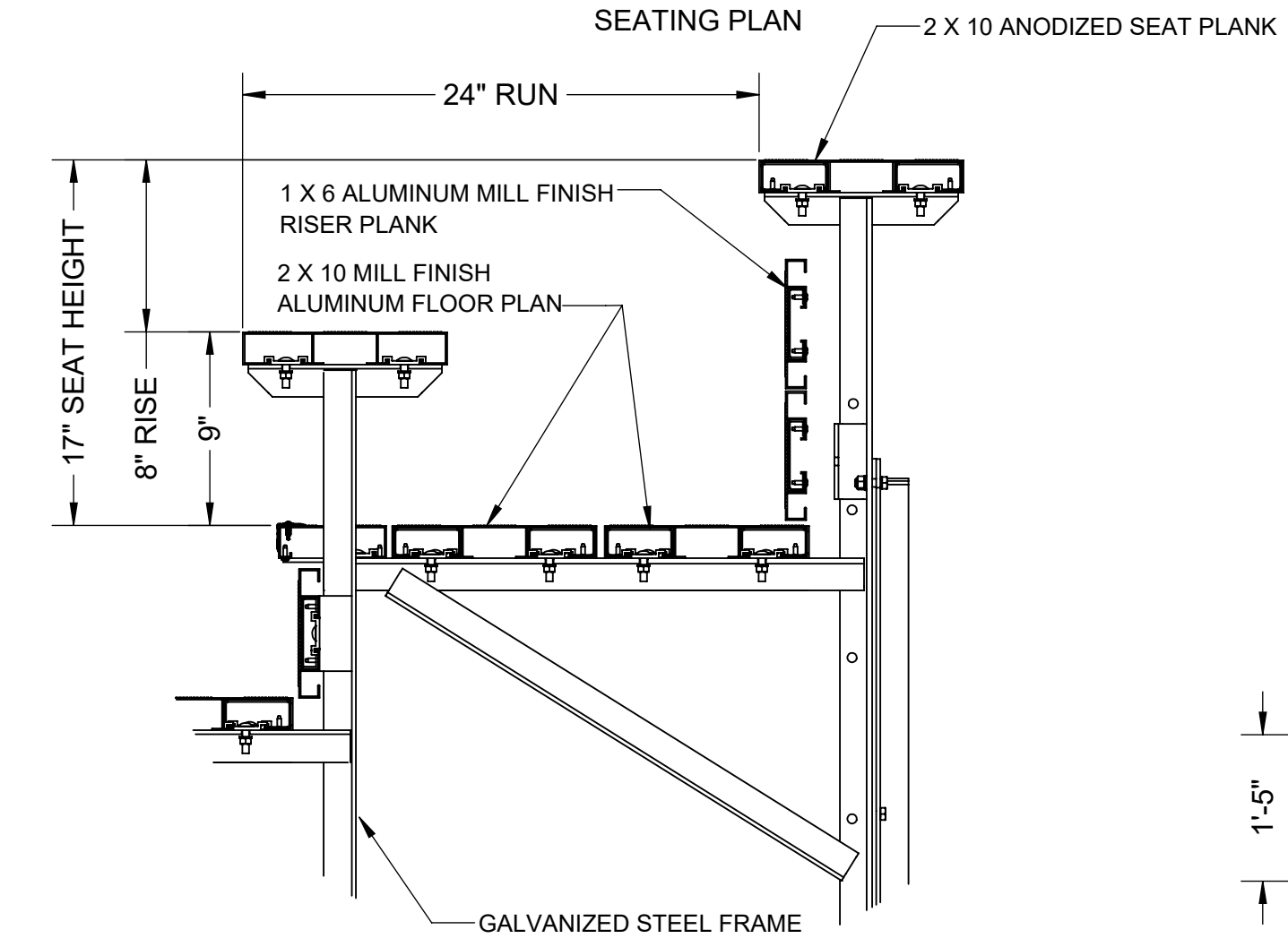
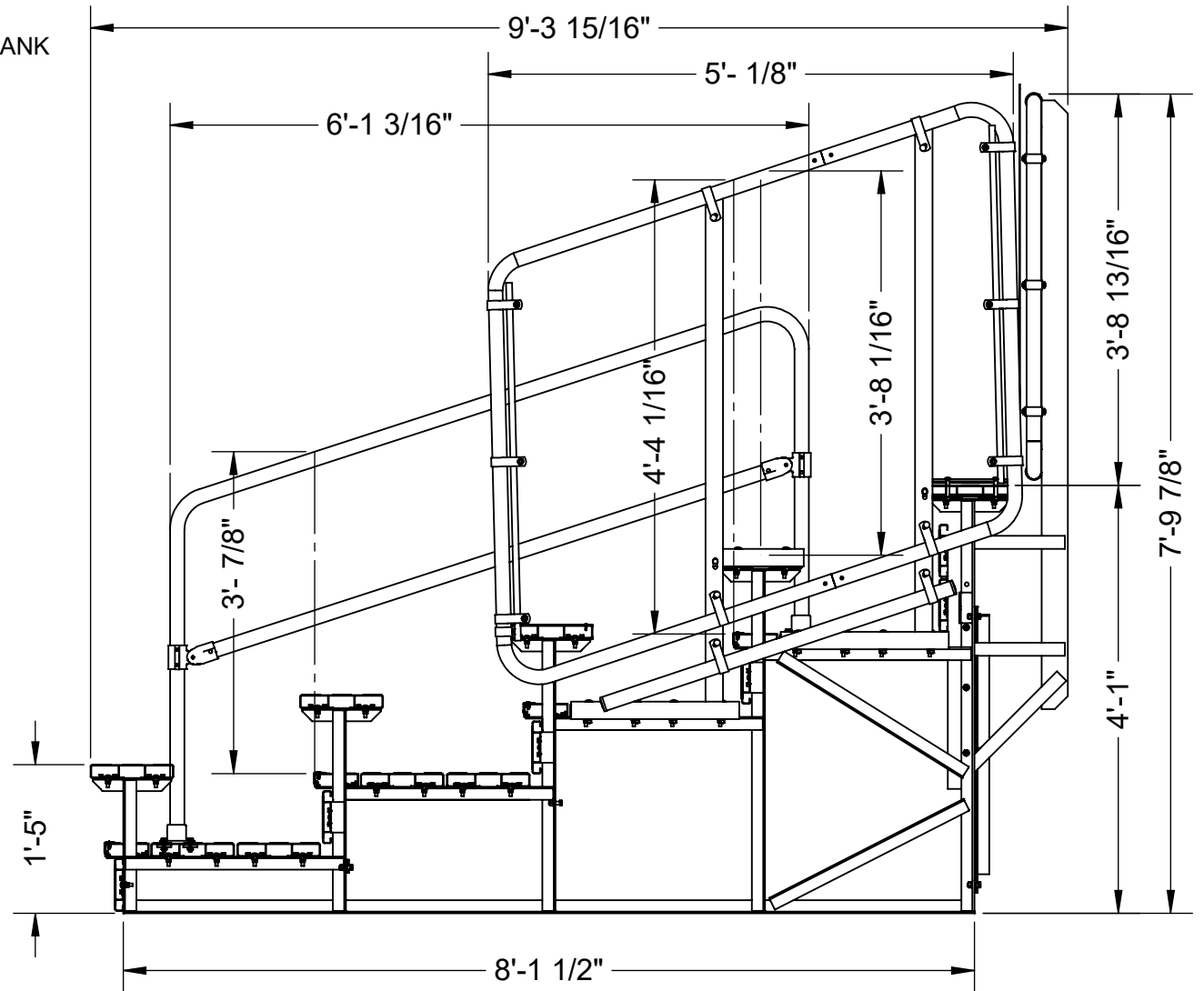


SEATING PLAN



TYPICAL SEAT AND FLOOR PLANK DETAIL
NOT TO SCALE



SECTION THROUGH BLEACHER SEATING
NOTE: CHAIN LINK REMOVED FOR CLARITY.

REVISIONS			
REV.	DESCRIPTION	DATE	APPROVED

BENCH SEAT @ 18" PER SEAT = 68

THIS DRAWING AND ALL INFORMATION CONTAINED HEREIN IS THE PROPERTY OF SPORT SYSTEMS CANADA INC. AND IS NOT TO BE REPRODUCED WITHOUT THE WRITTEN PERMISSION OF THIS MANUFACTURER. WE ASSUME NO RESPONSIBILITY FOR UNAUTHORIZED USE OF THIS DRAWING. SPORT SYSTEMS CANADA INC. IS NOT RESPONSIBLE FOR LOCAL PERMITS AND OCCUPANCY REQUIREMENTS.



28 Industrial Drive, Box 940
Almonte, Ontario, Canada
K0A 1A0

www.ssci.ca
1.877.600.4667
T 613.256.1112
F 613.256.5876

CLIENT
SPORT SYSTEMS

TITLE
5 TIER BLEACHER - 24FT. - 8" RISE 24" RUN

REV. 0	DATE 2023-06-16	DWG No. BL-5TB-8-24-24PLT
-----------	--------------------	------------------------------

SCALE N.T.S.	DES. JC	PAGE 1 OF 1
-----------------	------------	----------------