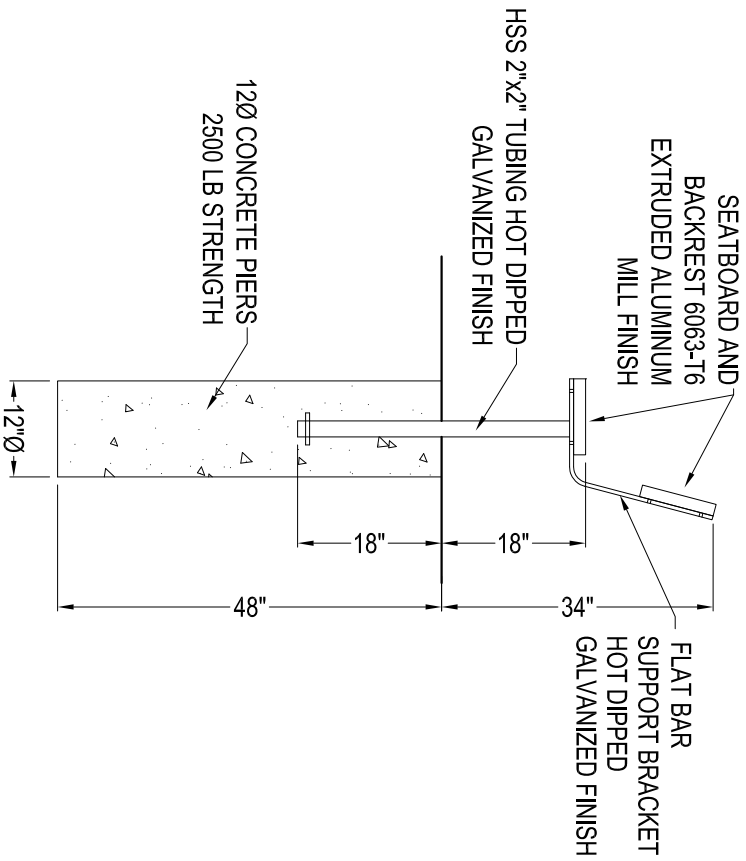


1. ALL BACKREST AND BENCH SEATS ARE FITTED WITH END CAP CLOSURES AS STANDARD SUPPLY
2. END CAPS TO BE INSTALLED BY OTHERS



THIS DRAWING AND ALL INFORMATION CONTAINED HEREIN IS THE PROPERTY OF SPORT SYSTEMS CANADA INC. AND IS NOT TO BE REPRODUCED WITHOUT THE WRITTEN PERMISSION OF THIS MANUFACTURER. WE ASSUME NO RESPONSIBILITY FOR UNAUTHORIZED USE OF THIS DRAWING. SPORT SYSTEMS CANADA INC. IS NOT RESPONSIBLE FOR LOCAL PERMITS AND OCCUPANCY REQUIREMENTS.



Building a Better Game
 28 Industrial Drive, Box 940
 Ancienne, Ontario, Canada
 K0A 1X0
 www.ssci.ca
 1.877.200.4667
 T 613.226.1112
 F 613.226.5876

CLIENT
 SSCI

TITLE
 BL-IGB-BR

REV. 1 | DATE SEPT 14, 2009

SCALE NOTED | DES. TH | PAGE 1/2