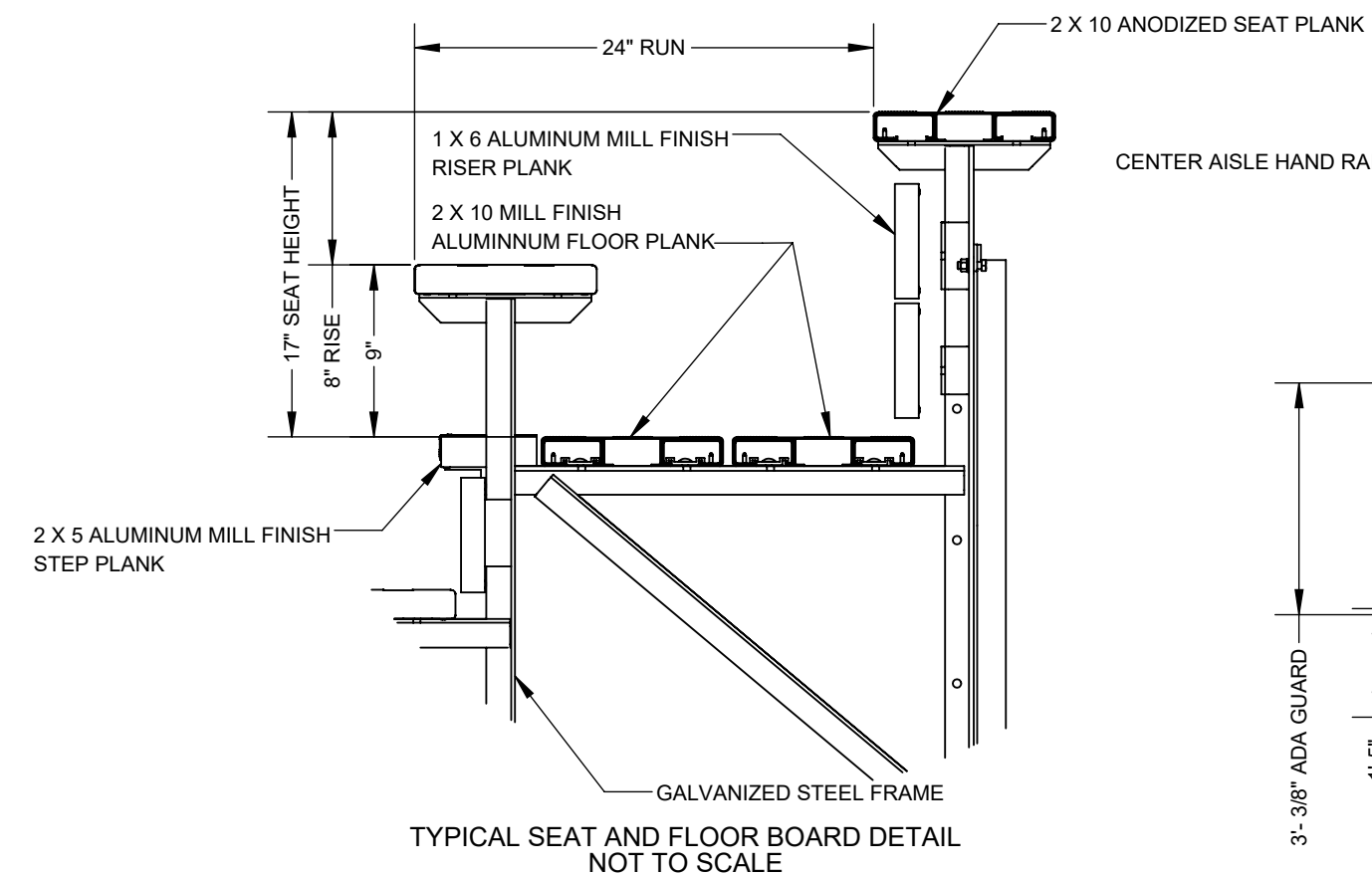
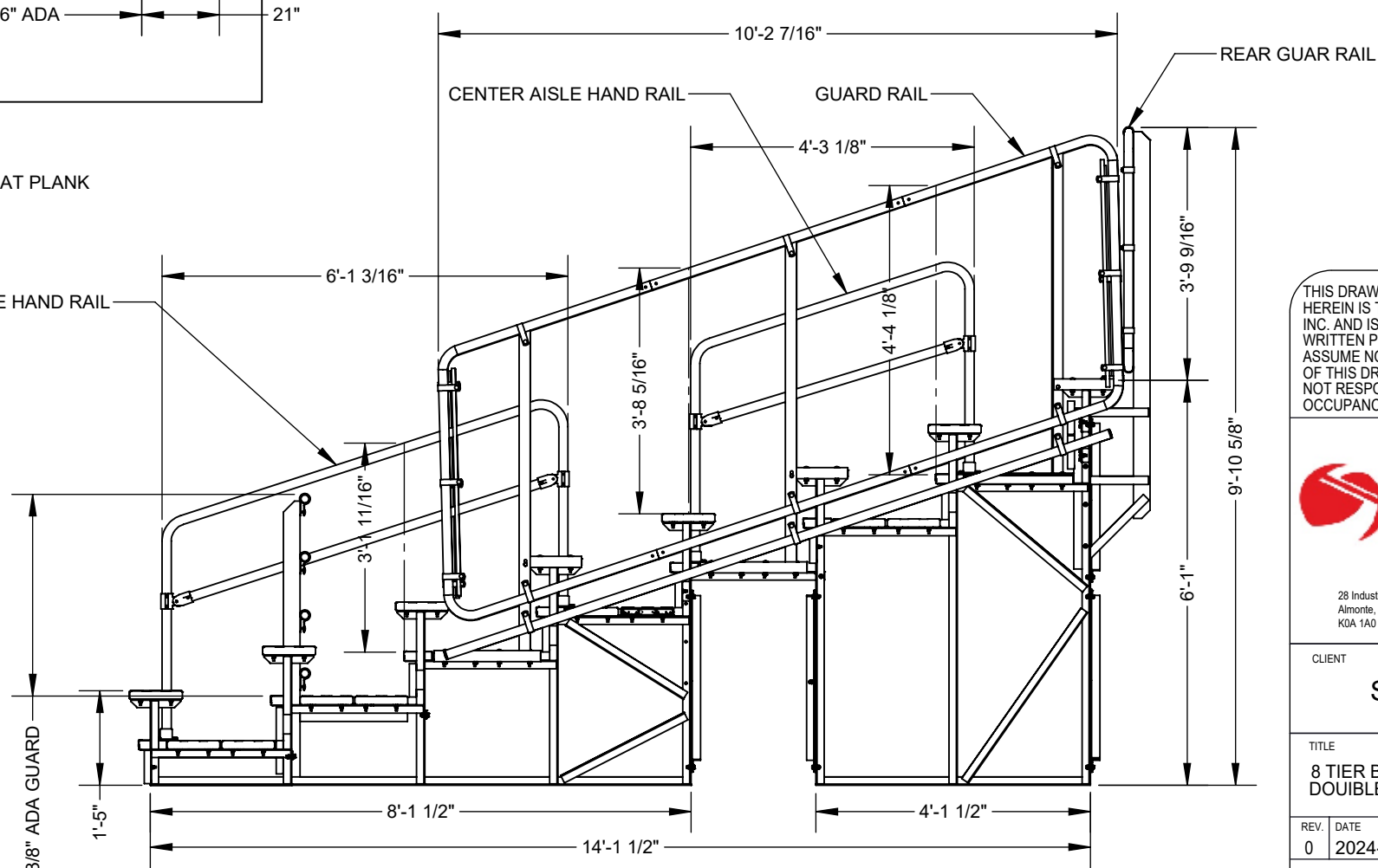


SEATING PLAN



TYPICAL SEAT AND FLOOR BOARD DETAIL  
NOT TO SCALE



SECTION THROUGH BLEACHER SEATING  
NOTE: CHAIN LINK REMOVED FOR CLARITY

REVISIONS			
REV.	DESCRIPTION	DATE	APPROVED

BEANCH SEATS @ 18" PER SEAT = 111

THIS DRAWING AND ALL INFORMATION CONTAINED HEREIN IS THE PROPERTY OF SPORT SYSTEMS CANADA INC. AND IS NOT TO BE REPRODUCED WITHOUT THE WRITTEN PERMISSION OF THIS MANUFACTURER. WE ASSUME NO RESPONSIBILITY FOR UNAUTHORIZED USE OF THIS DRAWING. SPORT SYSTEMS CANADA INC. IS NOT RESPONSIBLE FOR LOCAL PERMITS AND OCCUPANCY REQUIREMENTS.



28 Industrial Drive, Box 940  
Almonte, Ontario, Canada  
K0A 1A0

www.ssci.ca  
1.877.600.4667  
T 613.256.1112  
F 613.256.5876

CLIENT  
**SPORT SYSTEMS**

TITLE  
**8 TIER BLEACHER - 27ft. - 8" RISE 24" RUN  
DOUBLE FOOT BOARD WITH STAIR AISLE  
AND 4 ADA SEATING**

REV.	DATE	DWG No.
0	2024-01-18	BL-8TB-27-4ADA

SCALE	DES.	PAGE
N.T.S.	John Cox	1 OF 1