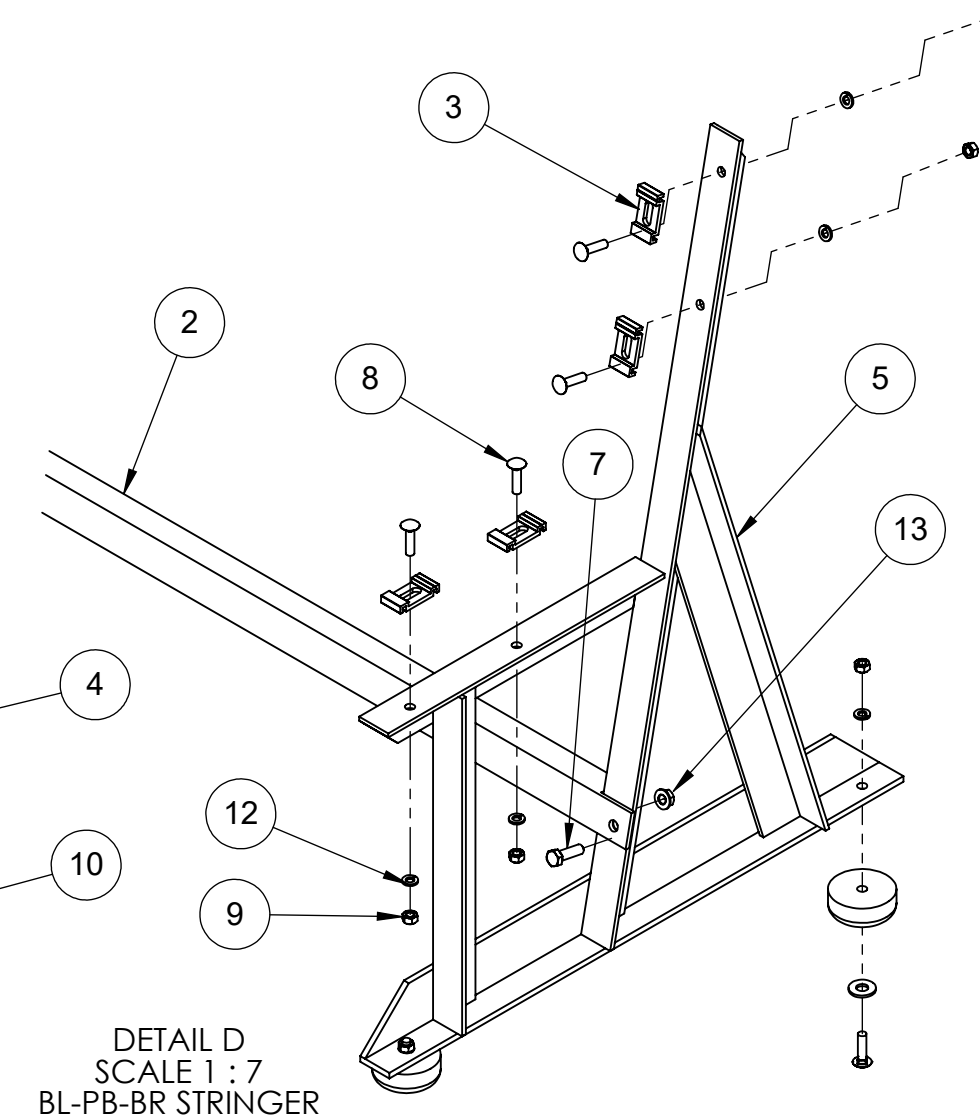
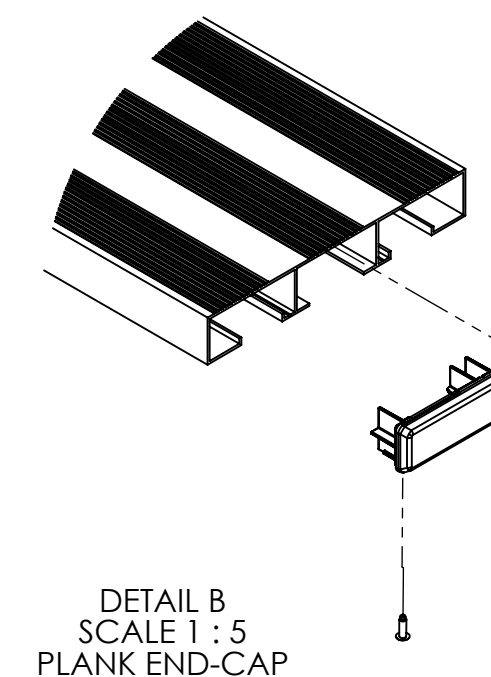
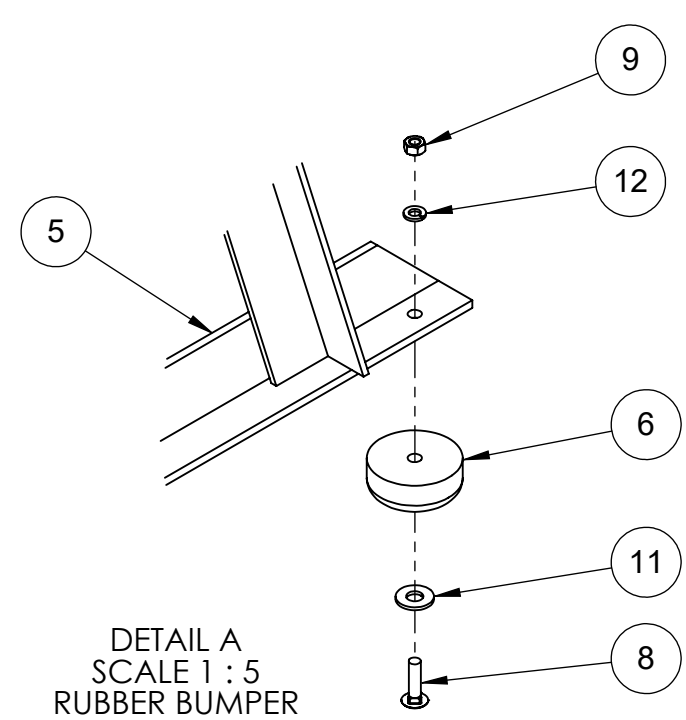
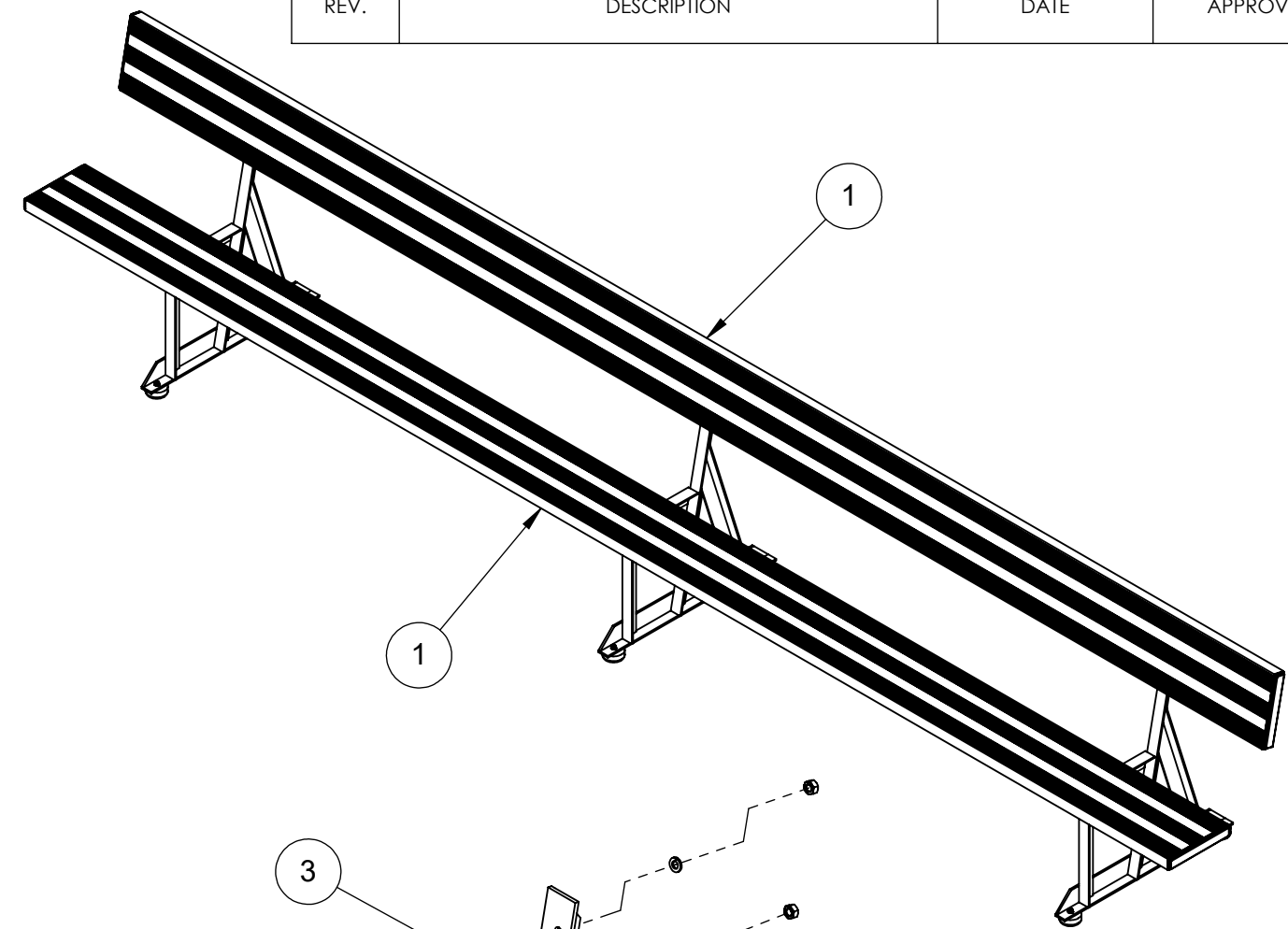


| ITEM NO. | PART NUMBER   | DESCRIPTION  | QTY. |
|----------|---------------|--|------|
| 1        | AL-16723A-15  | 2" X 10" NOMINAL BLEACHER PLANK ANODIZED FINISH - 15'-0" | 2    |
| 2        | BL-72         | 72" SPACER BRACE   | 2    |
| 3        | BL-20774      | RETAINER CLIP - ALUMINUM                                 | 12   |
| 4        | BL-EC16723    | MOLDED END CAP-INSERT-BLACK POLYCARBONATE                | 4    |
| 5        | BL-PB-BR      | PLAYERS BENCH - BACKREST STRINGER                        | 3    |
| 6        | HW-613A-034WJ | WHITE NEOPRENE RUBBER BUMPER                             | 6    |
| 7        | HW-B-40000    | 3/8" x 1-1/4" MG, GR 5, HEX BOLT                         | 3    |
| 8        | HW-B-50005    | 5/16" x 1-1/4" HDG, GR 2 CARRIAGE BOLT                   | 18   |
| 9        | HW-N-10002    | 5/16" HDG. GR,2 HEX NUT                                  | 18   |
| 10       | HW-R-10000    | ALUMINUM POP RIVET 3/16" x 0.251-0.375                   | 8    |
| 11       | HW-W-1000-Z   | 3/8" ZP, WASHER USS                                      | 6    |
| 12       | HW-W-20002    | 5/16" LOCK WASHER, HDG.                                  | 18   |
| 13       | HW-N-10000    | 3/8" SERRATED FLANGE NUT MG.                             | 3    |

| REVISIONS |             |      |          |
|-----------|-------------|------|----------|
| REV.      | DESCRIPTION | DATE | APPROVED |
|           |             |      |          |



THIS DRAWING AND ALL INFORMATION CONTAINED HEREIN IS THE PROPERTY OF SPORT SYSTEMS CANADA INC. AND IS NOT TO BE REPRODUCED WITHOUT THE WRITTEN PERMISSION OF THIS MANUFACTURER. WE ASSUME NO RESPONSIBILITY FOR UNAUTHORIZED USE OF THIS DRAWING. SPORT SYSTEMS CANADA INC. IS NOT RESPONSIBLE FOR LOCAL PERMITS AND OCCUPANCY REQUIREMENTS.



28 Industrial Drive, Box 940  
Almonte, Ontario, Canada  
K0A 1A0  
www.ssci.ca  
1.877.600.4667  
T 613.256.1112  
F 613.256.5876

CLIENT  
**SPORT SYSTEMS**

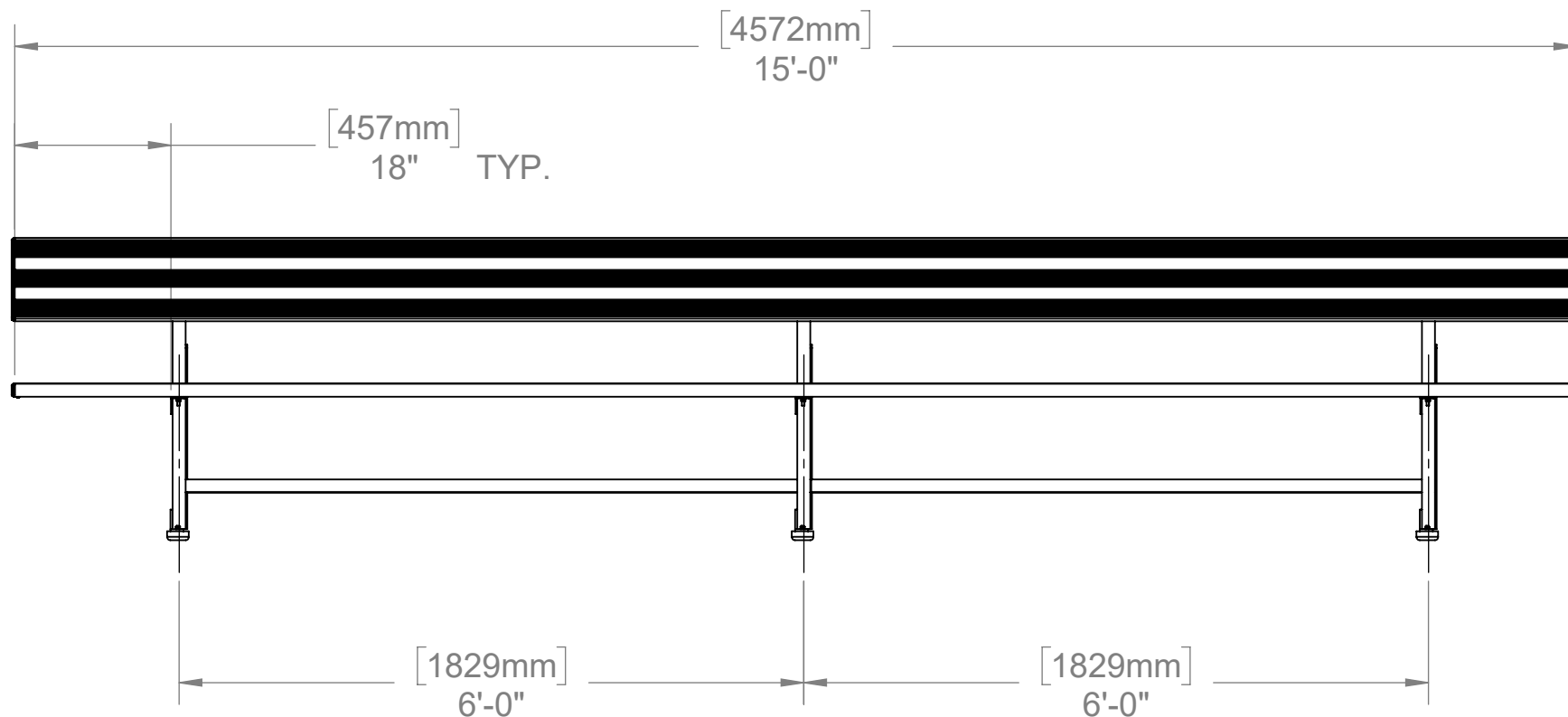
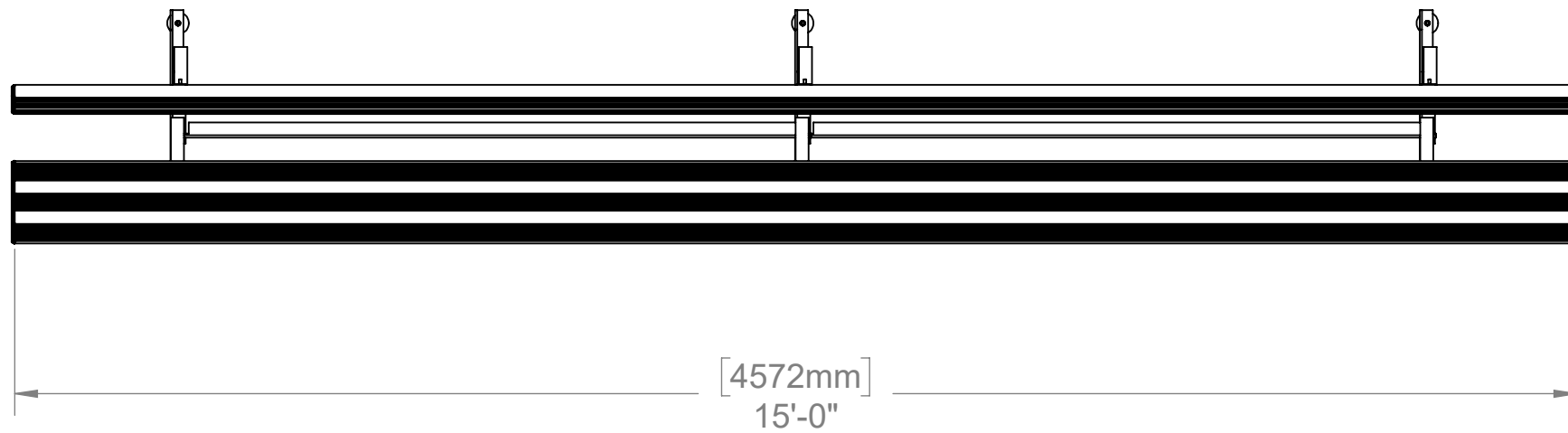
TITLE  
**BL-PLAYER'S BENCH-BACKREST - 15'**

|        |            |            |
|--------|------------|------------|
| REV.   | DATE       | DWG No:    |
|        | 2021-11-08 | BL-PB-15BR |
| SCALE  | DES.       | PAGE       |
| N.T.S. | BAT        | 1 OF 2     |

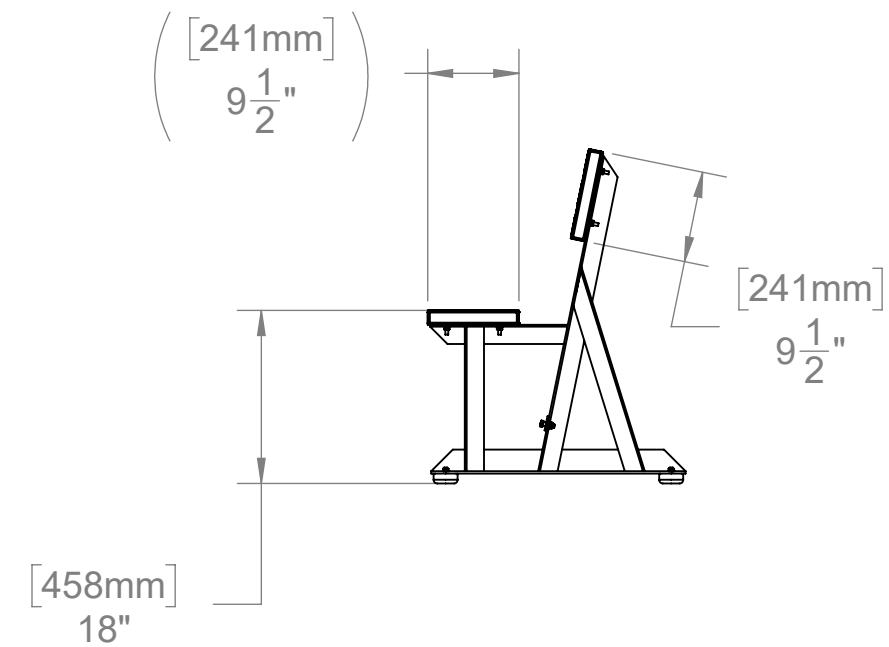
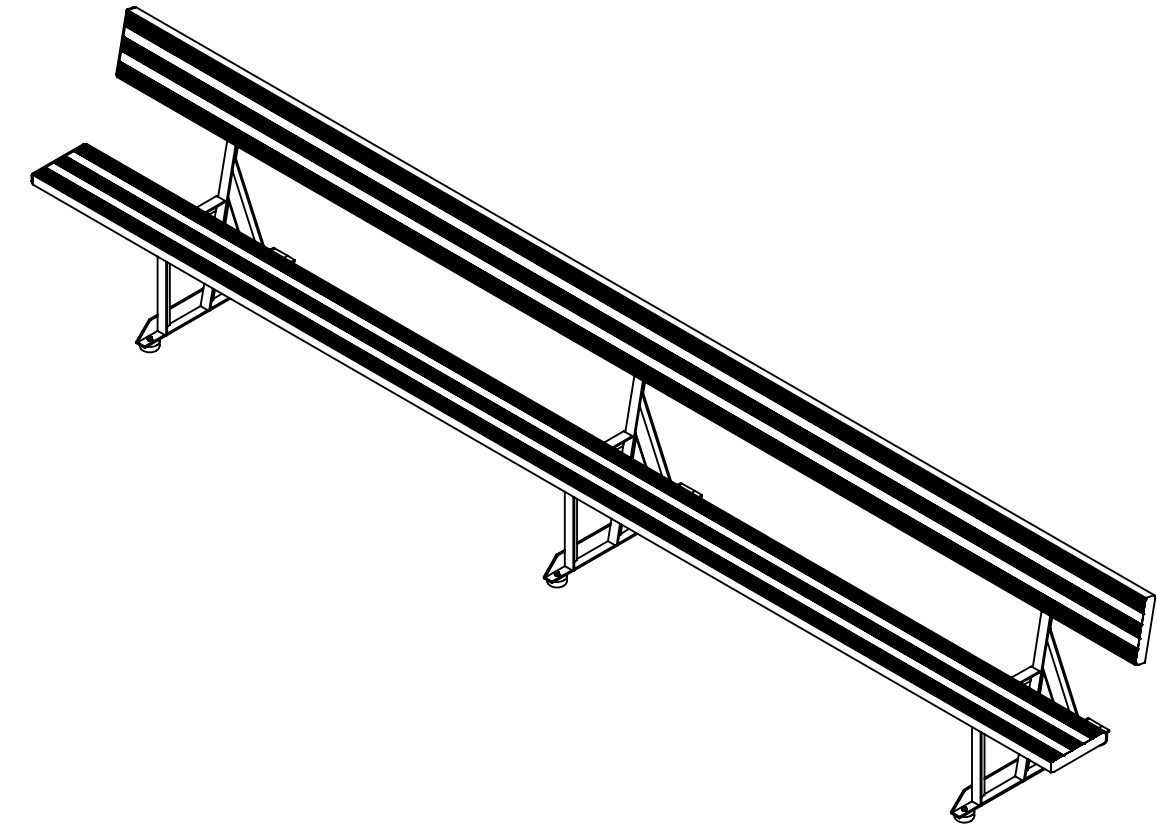
BL-BP-15BR - EXPLODED VIEW - SHOWN

DETAIL B  
SCALE 1 : 5  
PLANK END-CAP

DETAIL D  
SCALE 1 : 7  
BL-PB-BR STRINGER



| REVISIONS |             |      |          |
|-----------|-------------|------|----------|
| REV.      | DESCRIPTION | DATE | APPROVED |



THIS DRAWING AND ALL INFORMATION CONTAINED HEREIN IS THE PROPERTY OF SPORT SYSTEMS CANADA INC. AND IS NOT TO BE REPRODUCED WITHOUT THE WRITTEN PERMISSION OF THIS MANUFACTURER. WE ASSUME NO RESPONSIBILITY FOR UNAUTHORIZED USE OF THIS DRAWING. SPORT SYSTEMS CANADA INC. IS NOT RESPONSIBLE FOR LOCAL PERMITS AND OCCUPANCY REQUIREMENTS.



28 Industrial Drive, Box 940  
Almonte, Ontario, Canada  
K0A 1A0

www.ssci.ca  
1.877.600.4667  
T 613.256.1112  
F 613.256.5876

CLIENT  
**SPORT SYSTEMS**

TITLE  
**BL-PLAYER'S BENCH-BACKREST - 15'**

|        |            |            |
|--------|------------|------------|
| REV.   | DATE       | DWG No:    |
|        | 2021-11-08 | BL-PB-15BR |
| SCALE  | DES.       | PAGE       |
| N.T.S. | BAT        | 2 OF 2     |

BL-BP-15BR - SHOWN