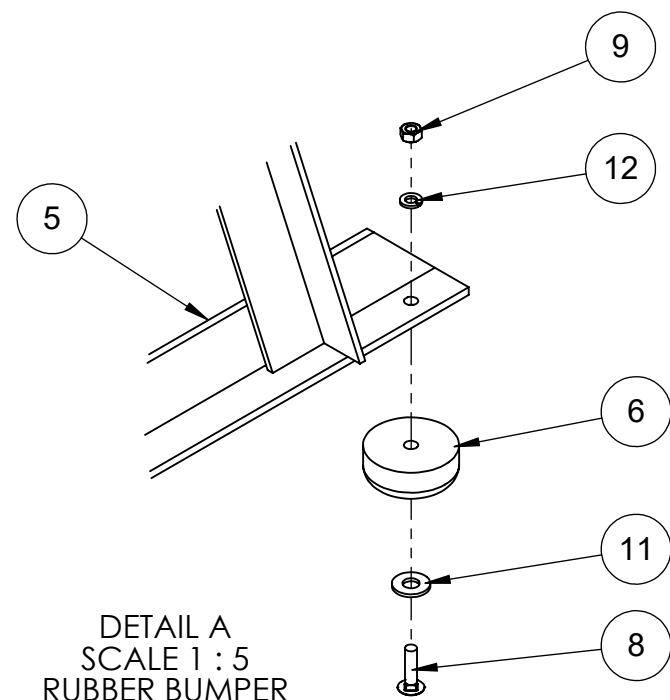
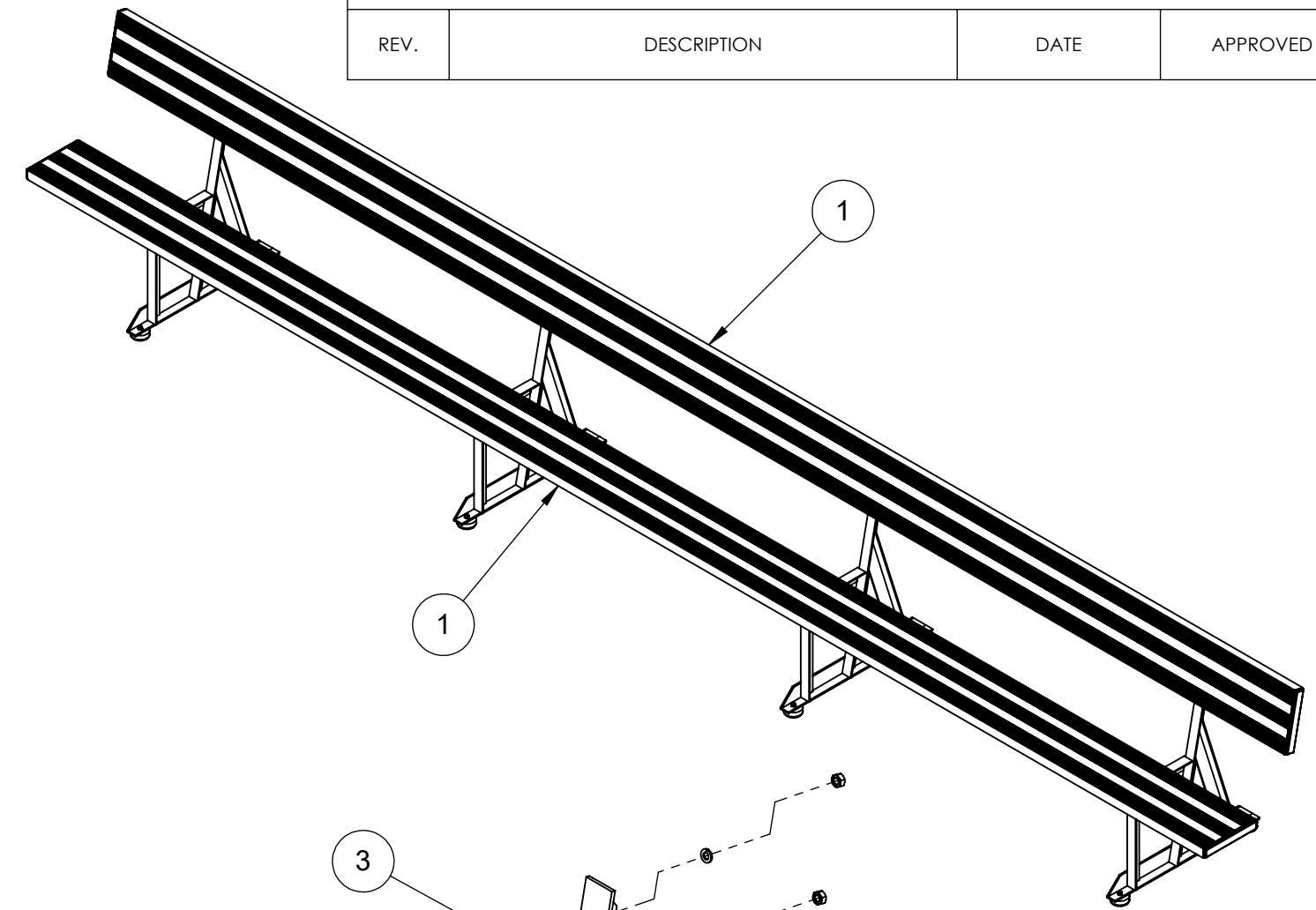
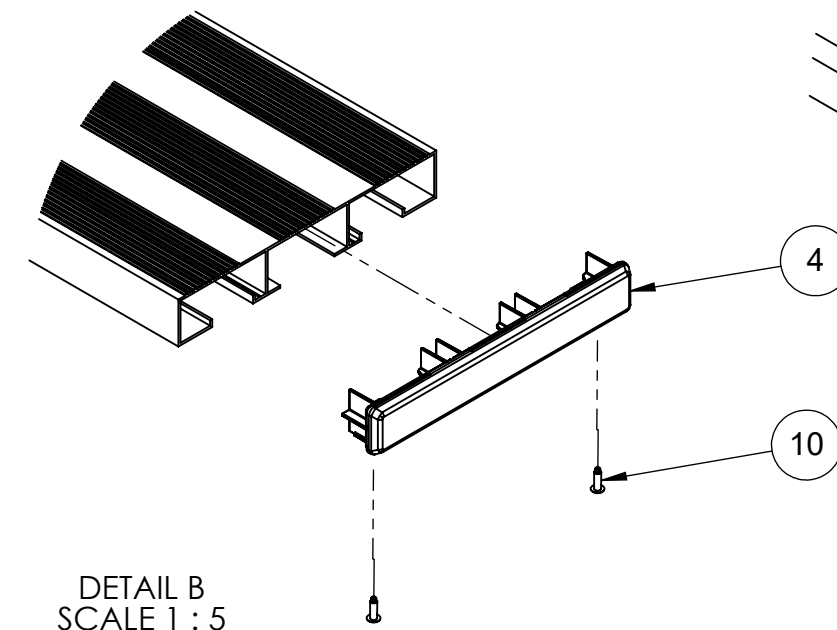


ITEM NO.	PART NUMBER	DESCRIPTION	QTY.
1	AL-16723A-18	2" X 10" NOMINAL BLEACHER PLANK ANODIZED FINISH - 18'-0"	2
2	BL-60	60" SPACER BRACE	3
3	BL-20774	RETAINER CLIP - ALUMINUM	16
4	BL-EC16723	MOLDED END CAP-INSERT-BLACK POLYCARBONATE	4
5	BL-PB-BR	PLAYERS BENCH - BACKREST STRINGER	4
6	HW-613A-034WJ	WHITE NEOPRENE RUBBER BUMPER	8
7	HW-B-40000	3/8" x 1-1/4" MG, GR 5, HEX BOLT	4
8	HW-B-50005	5/16" x 1-1/4" HDG, GR 2 CARRIAGE BOLT	24
9	HW-N-10002	5/16" HDG. GR,2 HEX NUT	24
10	HW-R-10000	ALUMINUM POP RIVET 3/16" x 0.251-0.375	8
11	HW-W-1000-Z	3/8" ZP, WASHER USS	8
12	HW-W-20002	5/16" LOCK WASHER, HDG.	24
13	HW-N-10000	3/8" SERRATED FLANGE NUT MG.	4

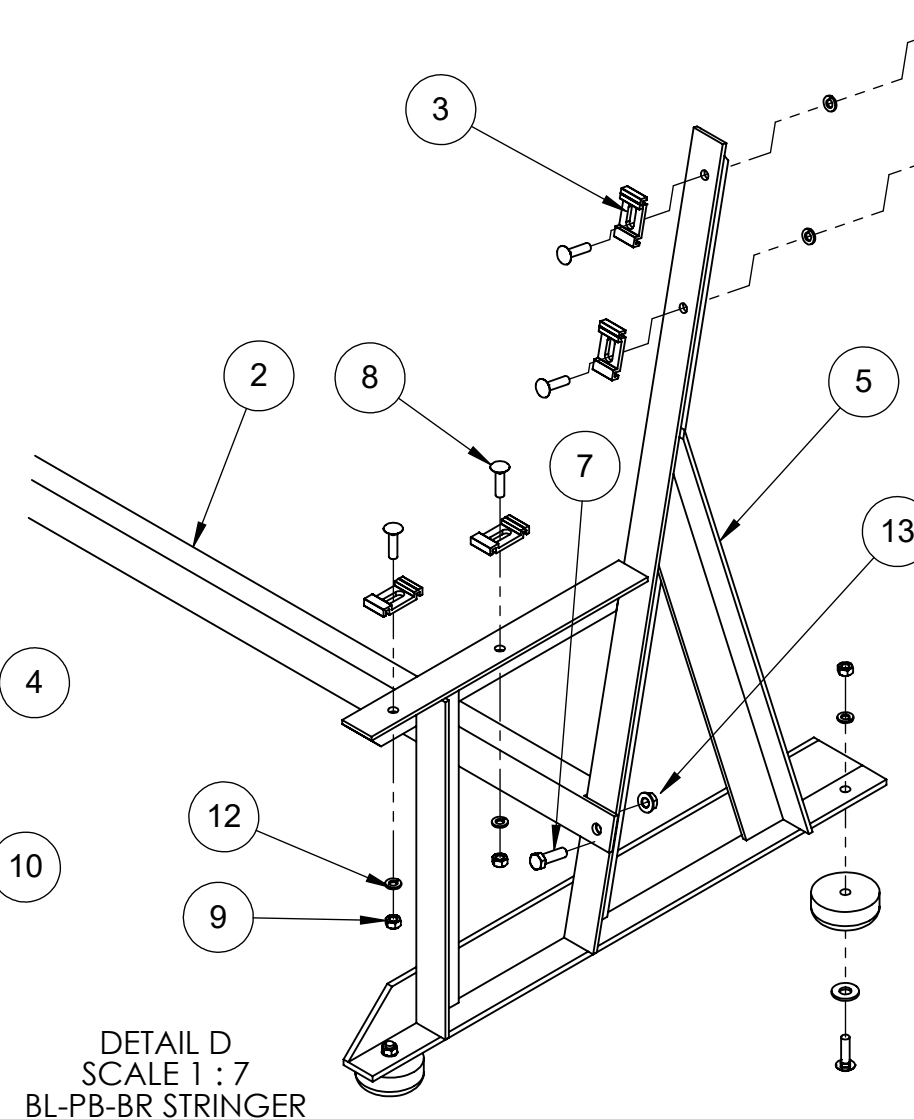
REVISIONS			
REV.	DESCRIPTION	DATE	APPROVED



DETAIL A
SCALE 1 : 5
RUBBER BUMPER



DETAIL B
SCALE 1 : 5
PLANK END-CAP



DETAIL D
SCALE 1 : 7
BL-PB-BR STRINGER

THIS DRAWING AND ALL INFORMATION CONTAINED HEREIN IS THE PROPERTY OF SPORT SYSTEMS CANADA INC. AND IS NOT TO BE REPRODUCED WITHOUT THE WRITTEN PERMISSION OF THIS MANUFACTURER. WE ASSUME NO RESPONSIBILITY FOR UNAUTHORIZED USE OF THIS DRAWING. SPORT SYSTEMS CANADA INC. IS NOT RESPONSIBLE FOR LOCAL PERMITS AND OCCUPANCY REQUIREMENTS.



28 Industrial Drive, Box 940
Almonte, Ontario, Canada
K0A 1A0

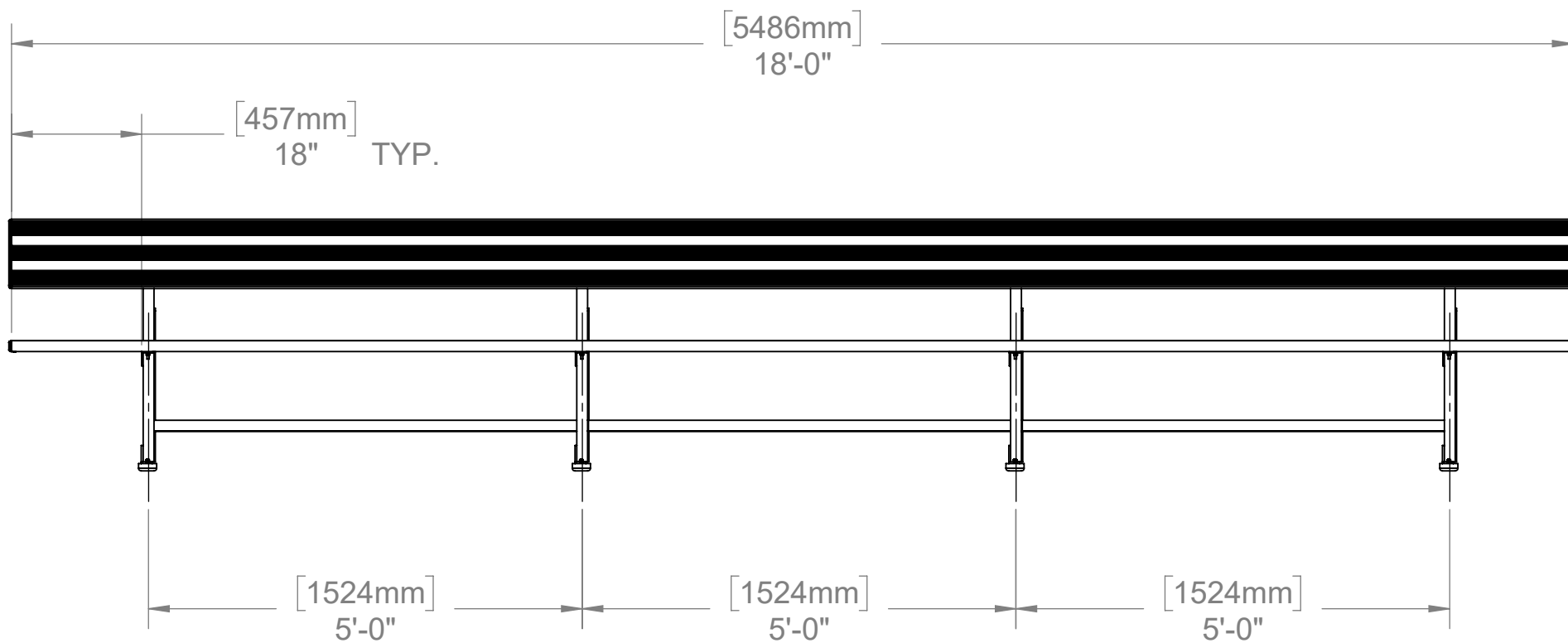
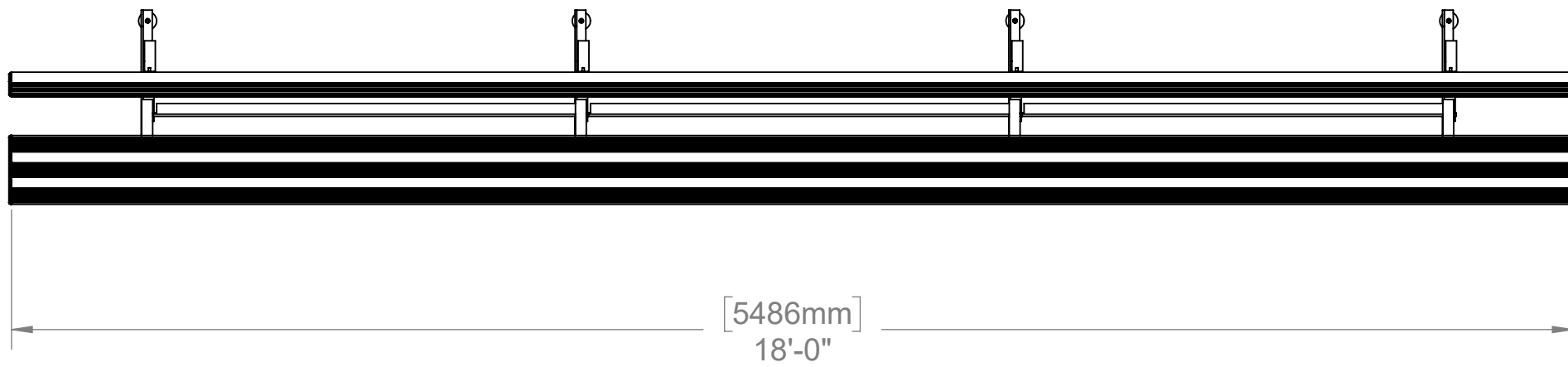
www.ssci.ca
1.877.600.4667
T 613.256.1112
F 613.256.5876

CLIENT
SPORT SYSTEMS

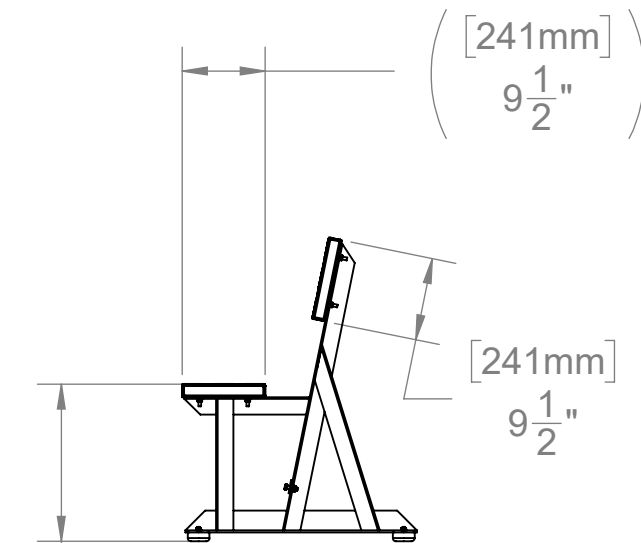
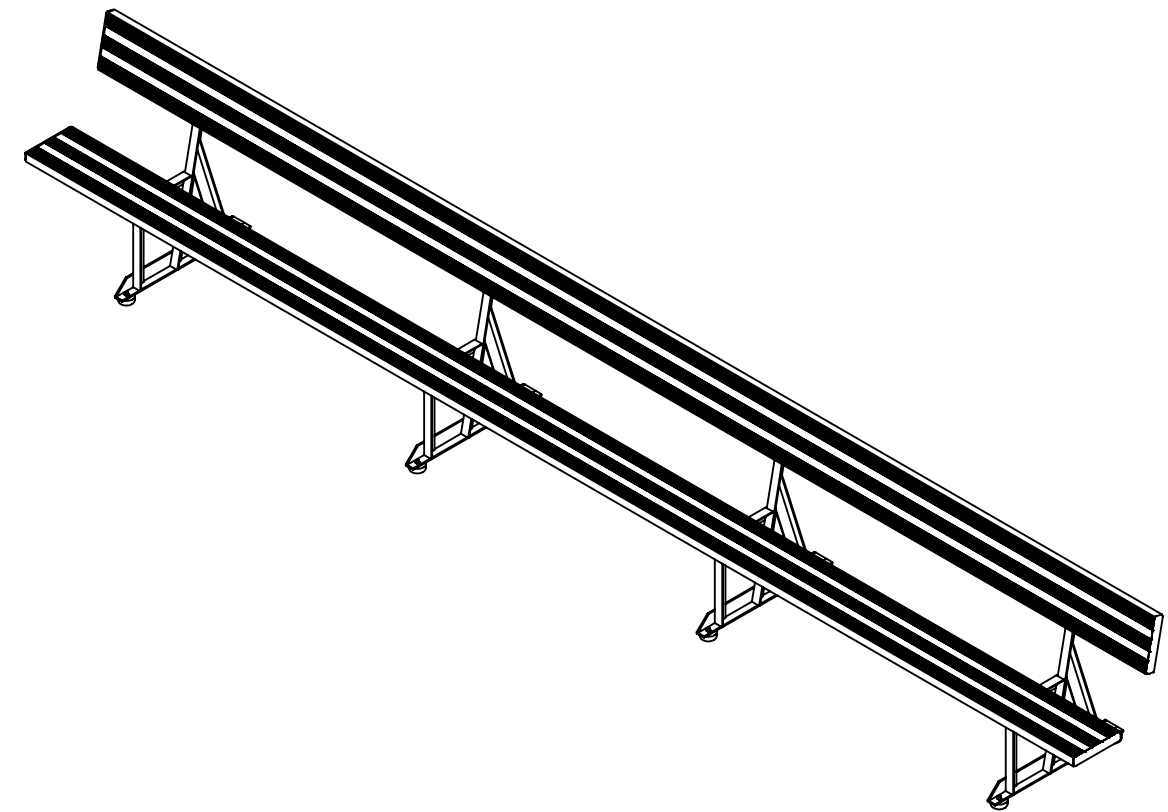
TITLE
BL-PLAYER'S BENCH-BACKREST - 18'

REV.	DATE	DWG No:
	2021-11-08	BL-PB-18BR
SCALE	DES.	PAGE
N.T.S.	BAT	1 OF 2

BL-BP-18BR - EXPLODED VIEW - SHOWN



REVISIONS			
REV.	DESCRIPTION	DATE	APPROVED



THIS DRAWING AND ALL INFORMATION CONTAINED HEREIN IS THE PROPERTY OF SPORT SYSTEMS CANADA INC. AND IS NOT TO BE REPRODUCED WITHOUT THE WRITTEN PERMISSION OF THIS MANUFACTURER. WE ASSUME NO RESPONSIBILITY FOR UNAUTHORIZED USE OF THIS DRAWING. SPORT SYSTEMS CANADA INC. IS NOT RESPONSIBLE FOR LOCAL PERMITS AND OCCUPANCY REQUIREMENTS.



28 Industrial Drive, Box 940
Almonte, Ontario, Canada
K0A 1A0

www.ssci.ca
1.877.600.4667
T 613.256.1112
F 613.256.5876

CLIENT
SPORT SYSTEMS

TITLE
BL-PLAYER'S BENCH-BACKREST - 18'

REV.	DATE	DWG No.
	2021-11-08	BL-PB-18BR

SCALE	DES.	PAGE
N.T.S.	BAT	2 OF 2

BL-BP-18BR - SHOWN