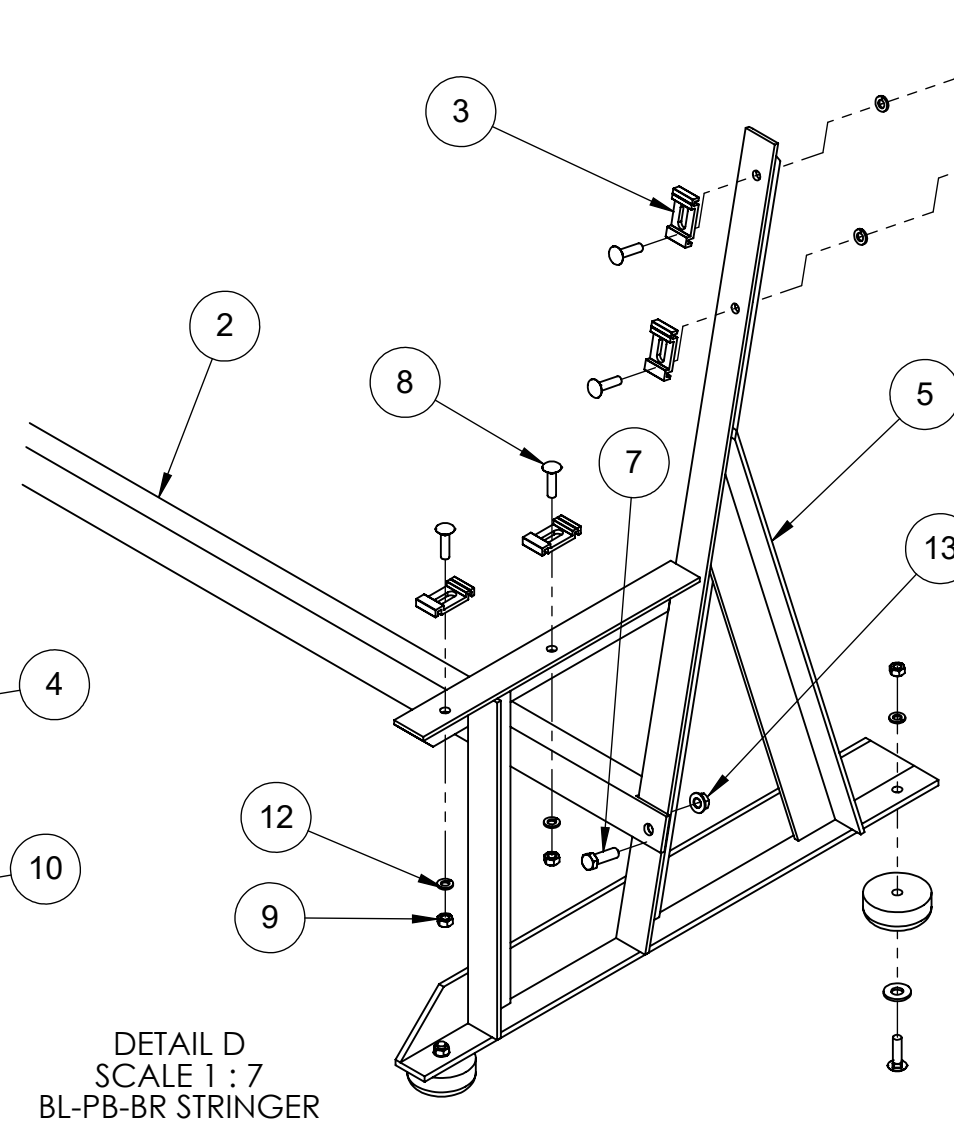
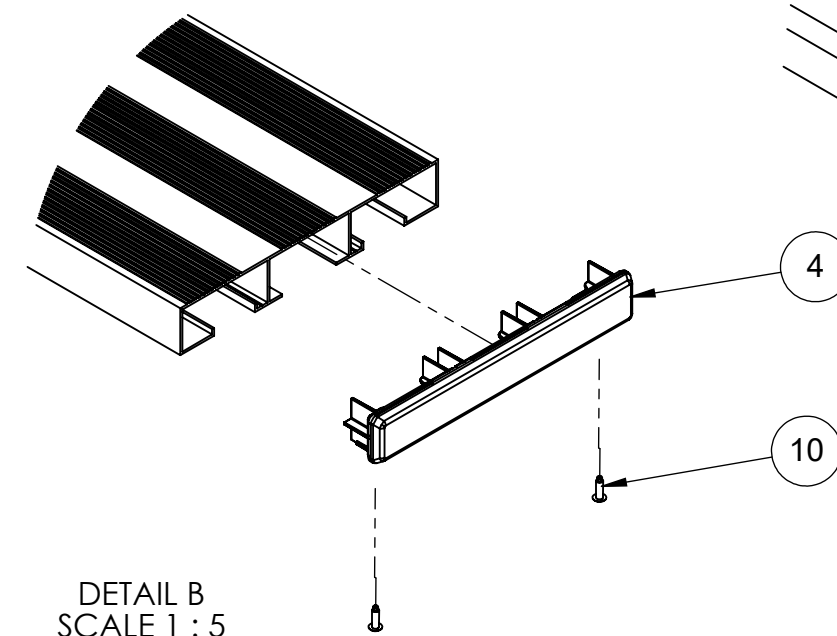
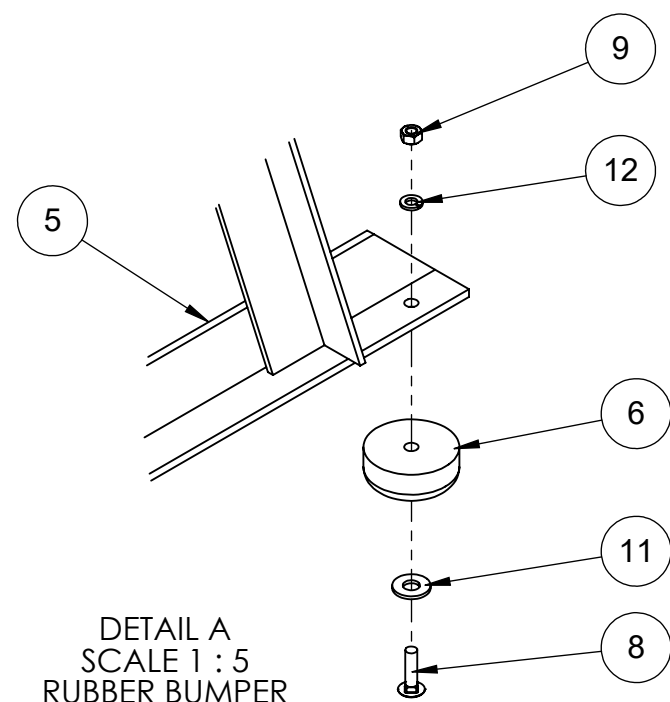
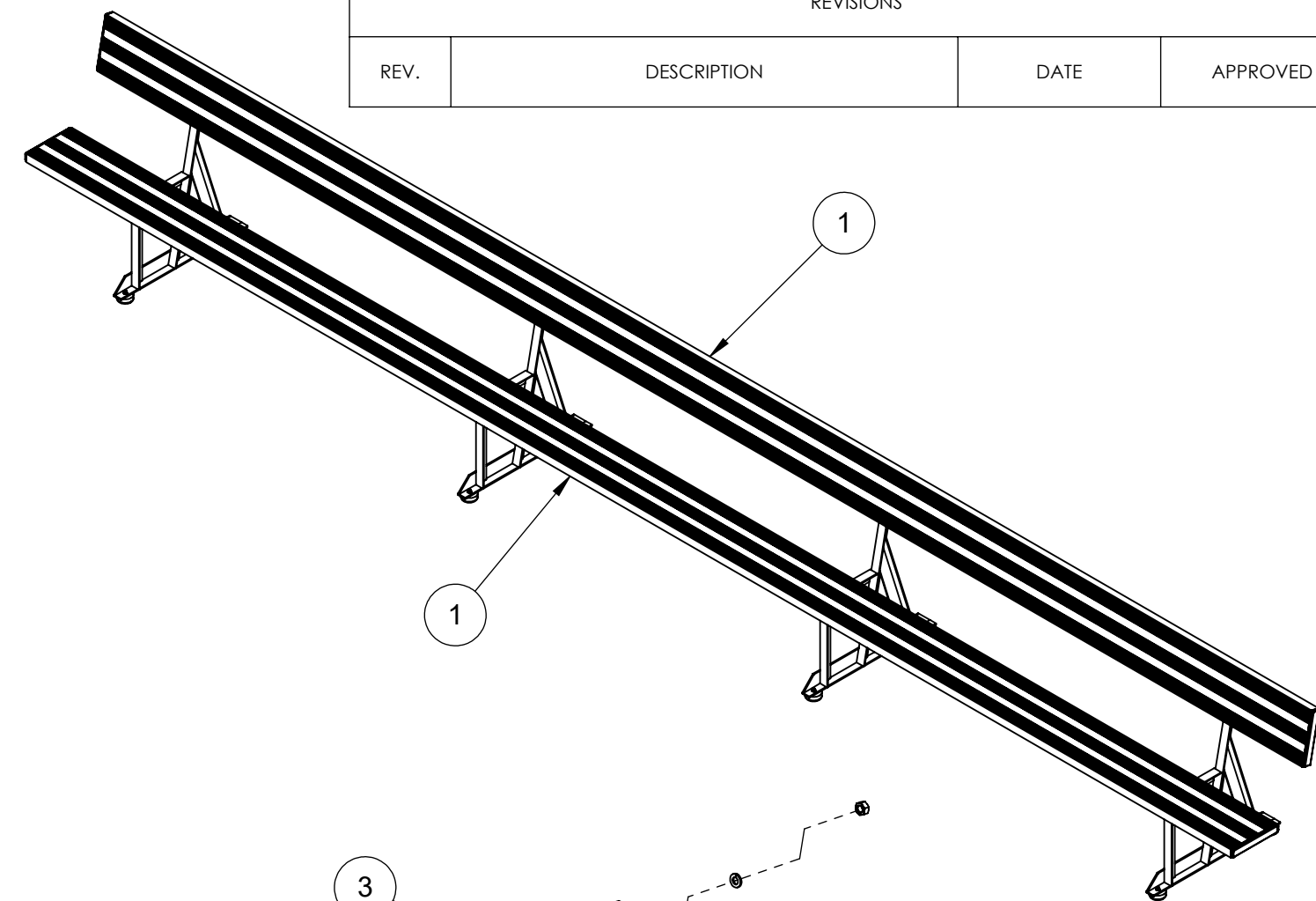


ITEM NO.	PART NUMBER	DESCRIPTION	QTY.
1	AL-16723A-21	2" X 10" NOMINAL BLEACHER PLANK ANODIZED FINISH - 21'-0"	2
2	BL-72	72" SPACER BRACE	3
3	BL-20774	RETAINER CLIP - ALUMINUM	16
4	BL-EC16723	MOLDED END CAP-INSERT-BLACK POLYCARBONATE	4
5	BL-PB-BR	PLAYERS BENCH - BACKREST STRINGER	4
6	HW-613A-034WJ	WHITE NEOPRENE RUBBER BUMPER	8
7	HW-B-40000	3/8" x 1-1/4" MG, GR 5, HEX BOLT	4
8	HW-B-50005	5/16" x 1-1/4" HDG, GR 2 CARRIAGE BOLT	24
9	HW-N-10002	5/16" HDG. GR,2 HEX NUT	24
10	HW-R-10000	ALUMINUM POP RIVET 3/16" x 0.251-0.375	8
11	HW-W-1000-Z	3/8" ZP, WASHER USS	8
12	HW-W-20002	5/16" LOCK WASHER, HDG.	24
13	HW-N-10000	3/8" SERRATED FLANGE NUT MG.	4

REVISIONS			
REV.	DESCRIPTION	DATE	APPROVED



THIS DRAWING AND ALL INFORMATION CONTAINED HEREIN IS THE PROPERTY OF SPORT SYSTEMS CANADA INC. AND IS NOT TO BE REPRODUCED WITHOUT THE WRITTEN PERMISSION OF THIS MANUFACTURER. WE ASSUME NO RESPONSIBILITY FOR UNAUTHORIZED USE OF THIS DRAWING. SPORT SYSTEMS CANADA INC. IS NOT RESPONSIBLE FOR LOCAL PERMITS AND OCCUPANCY REQUIREMENTS.



28 Industrial Drive, Box 940  
Almonte, Ontario, Canada  
K0A 1A0

www.ssci.ca  
1.877.600.4667  
T 613.256.1112  
F 613.256.5876

CLIENT  
**SPORT SYSTEMS**

TITLE  
**BL-PLAYER'S BENCH-BACKREST - 21'**

REV.	DATE	DWG No:
	2021-11-08	BL-PB-21BR

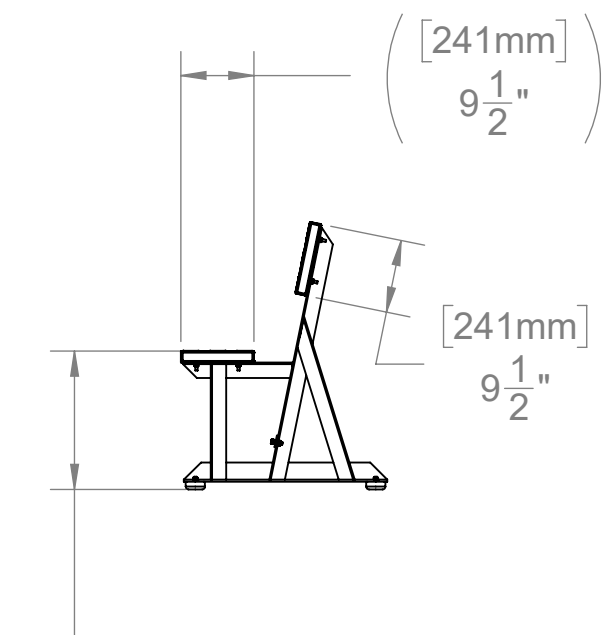
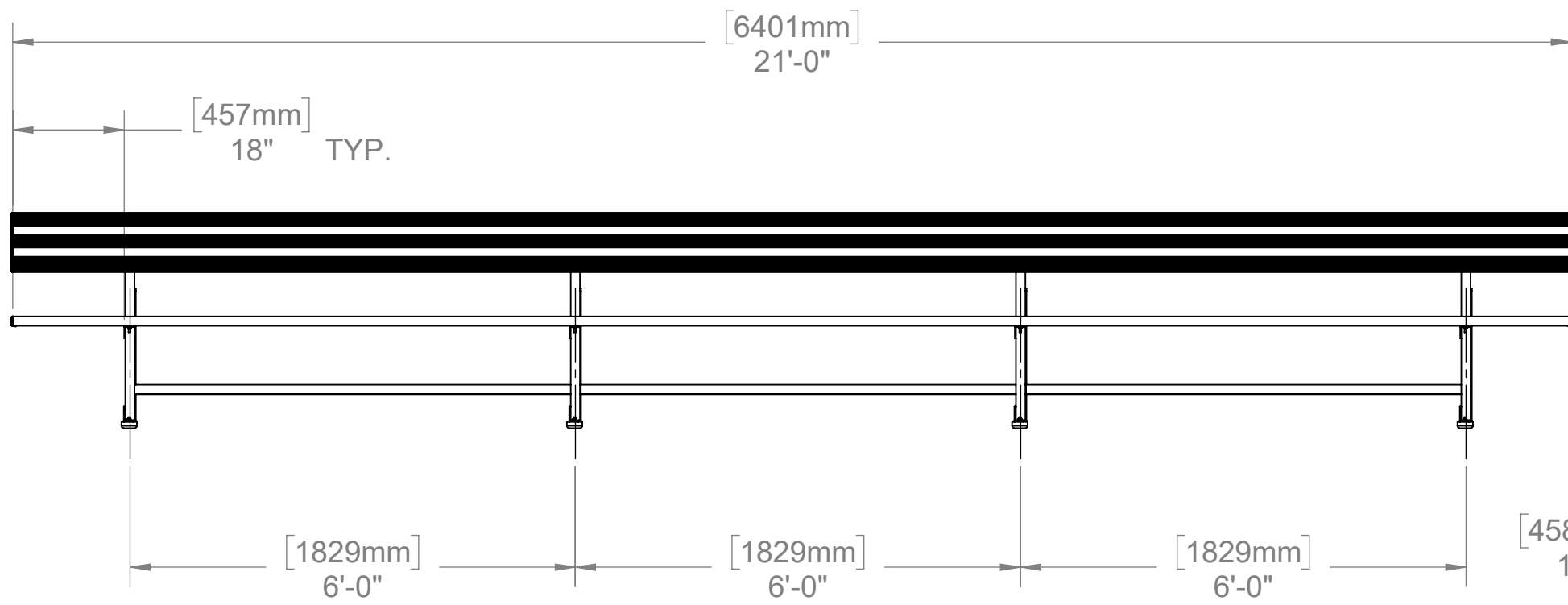
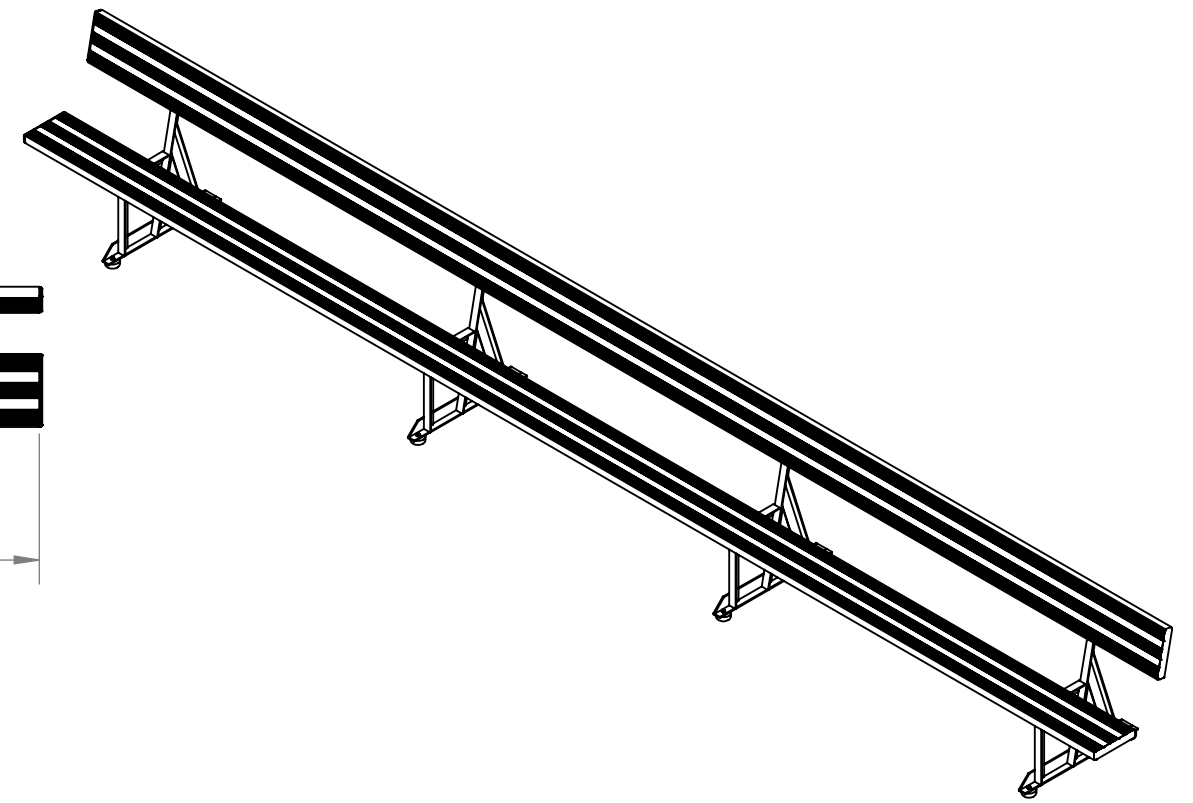
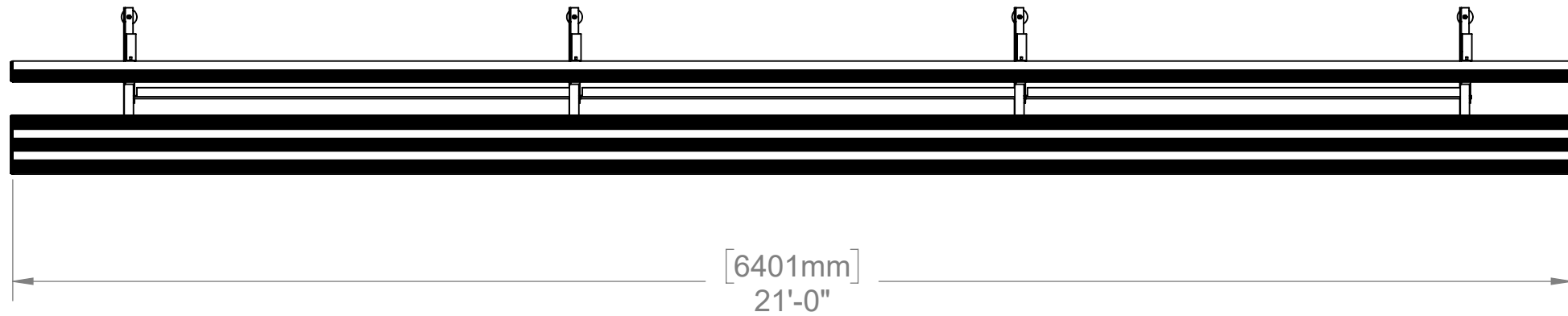
SCALE	DES.	PAGE
N.T.S.	BAT	1 OF 2

BL-BP-21BR - EXPLODED VIEW - SHOWN

DETAIL B  
SCALE 1 : 5  
PLANK END-CAP

DETAIL D  
SCALE 1 : 7  
BL-PB-BR STRINGER

REVISIONS			
REV.	DESCRIPTION	DATE	APPROVED



THIS DRAWING AND ALL INFORMATION CONTAINED HEREIN IS THE PROPERTY OF SPORT SYSTEMS CANADA INC. AND IS NOT TO BE REPRODUCED WITHOUT THE WRITTEN PERMISSION OF THIS MANUFACTURER. WE ASSUME NO RESPONSIBILITY FOR UNAUTHORIZED USE OF THIS DRAWING. SPORT SYSTEMS CANADA INC. IS NOT RESPONSIBLE FOR LOCAL PERMITS AND OCCUPANCY REQUIREMENTS.



28 Industrial Drive, Box 940  
Almonte, Ontario, Canada  
K0A 1A0

www.ssci.ca  
1.877.600.4667  
T 613.256.1112  
F 613.256.5876

CLIENT  
**SPORT SYSTEMS**

TITLE  
**BL-PLAYER'S BENCH-BACKREST - 21'**

REV.	DATE	DWG No:
	2021-11-08	BL-PB-21BR
SCALE	DES.	PAGE
N.T.S.	BAT	2 OF 2

BL-BP-21BR - SHOWN