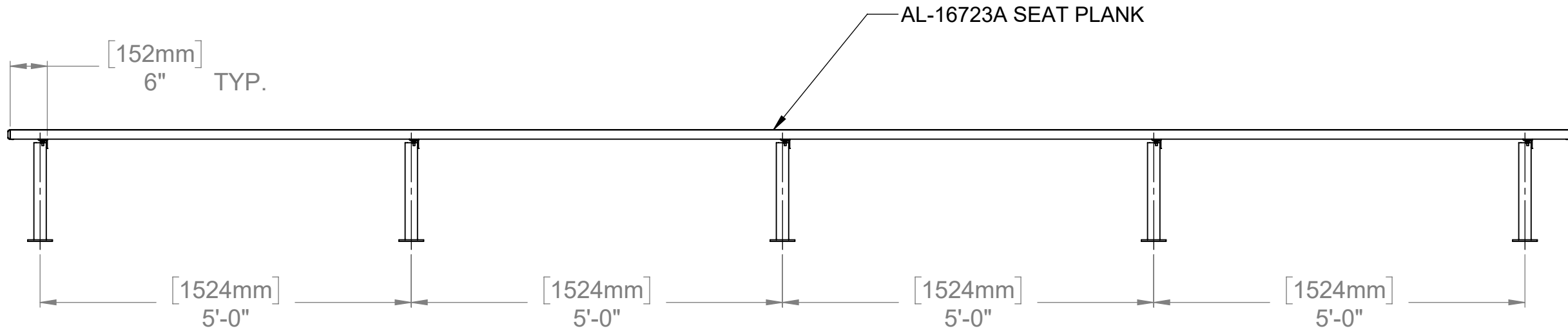
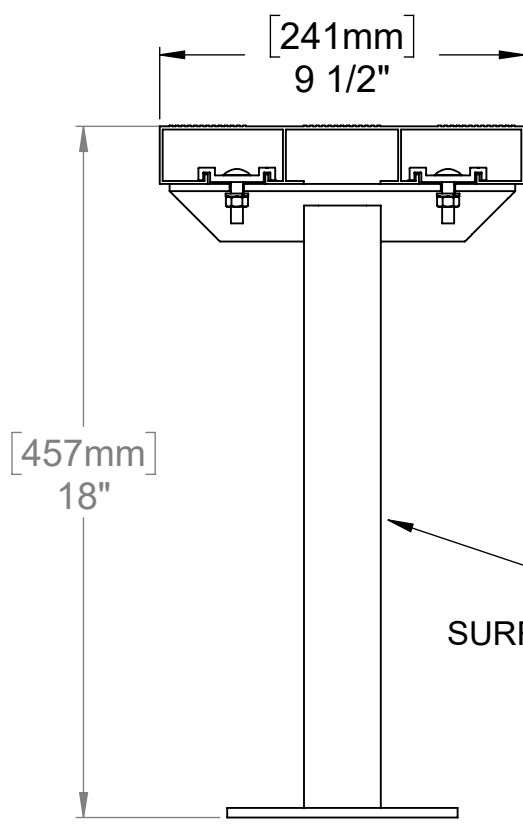


PLAN ELEVATION

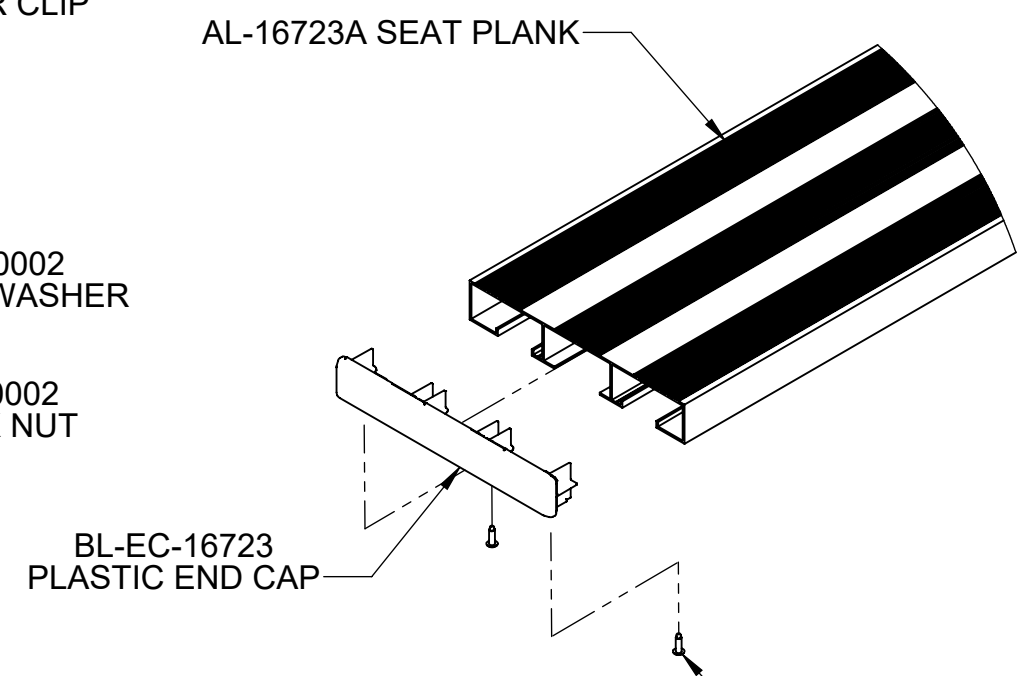
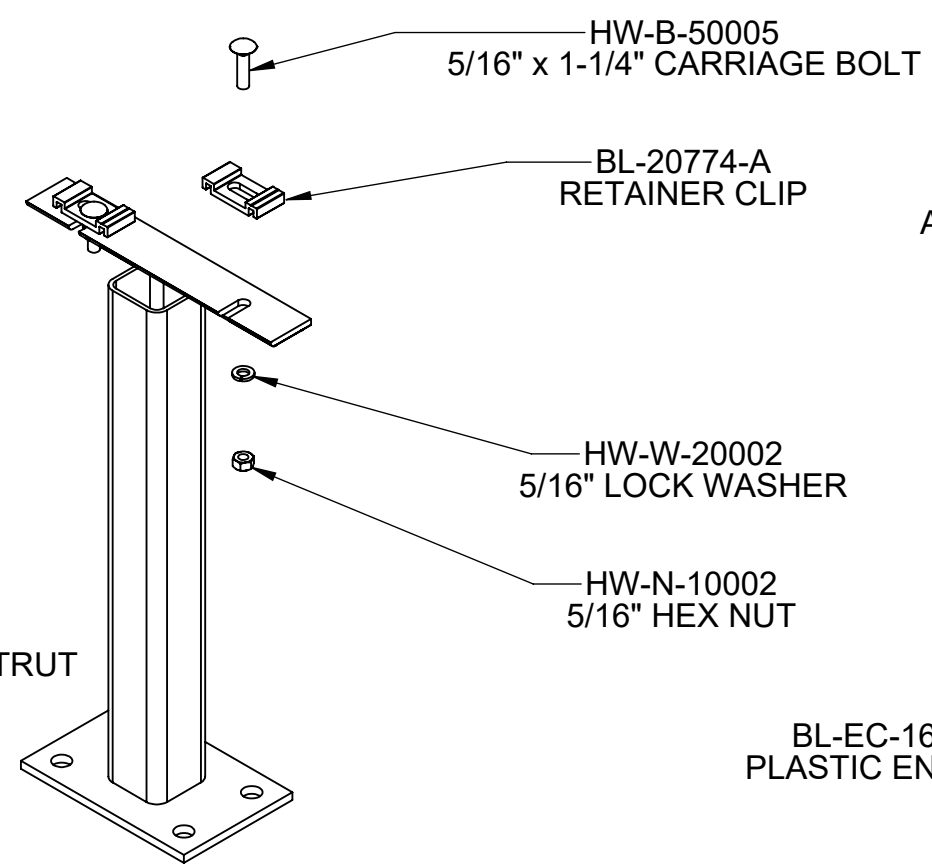


FRONT ELEVATION



BL-SM  
SURFACE MOUNTED BENCH STRUT

RECOMMENDED MOUNTING HARDWARE  
3/8" X 3" WEDGE BOLT  
(SUPPLIED BY OTHERS)



DETAIL: END CAP  
SCALE 1 : 6

THIS DRAWING AND ALL INFORMATION CONTAINED HEREIN IS THE PROPERTY OF SPORT SYSTEMS CANADA INC. AND IS NOT TO BE REPRODUCED WITHOUT THE WRITTEN PERMISSION OF THIS MANUFACTURER. WE ASSUME NO RESPONSIBILITY FOR UNAUTHORIZED USE OF THIS DRAWING. SPORT SYSTEMS CANADA INC. IS NOT RESPONSIBLE FOR LOCAL PERMITS AND OCCUPANCY REQUIREMENTS.



28 Industrial Drive, Box 940  
Almonte, Ontario, Canada  
K0A 1A0  
www.ssci.ca  
1.877.600.4667  
T 613.256.1112  
F 613.256.5876

CLIENT  
**SPORT SYSTEMS**

TITLE  
**SURFACE MOUNT BENCH -21'**

REV.	DATE	DWG No:
	2021-03-23	BL-SM-21
SCALE	DES.	PAGE
N.T.S.	BAT	1 OF 2

ITEM NO.	PART NUMBER	DESCRIPTION	QTY.
1	AL-16723A-21	2" X 10" NOMINAL BLEACHER PLANK ANODIZED FINISH - 21'-0"	1
2	BL-20774	RETAINER CLIP - ALUMINUM	10
3	BL-EC16723	MOLDED END CAP-INSERT-BLACK POLYCARBONATE	2
4	BL-SM	SURFACE MOUNT BENCH STRUT	5
5	HW-B-50005	5/16" x 1-1/4" HDG, GR 2 CARRIAGE BOLT	10
6	HW-N-10002	5/16" HDG. GR, 2 HEX NUT	10
7	HW-R-10000	ALUMINUM POP RIVET 3/16" x 0.251-0.375	4
8	HW-W-20002	5/16" LOCK WASHER, HDG.	10

THIS DRAWING AND ALL INFORMATION CONTAINED HEREIN IS THE PROPERTY OF SPORT SYSTEMS CANADA INC. AND IS NOT TO BE REPRODUCED WITHOUT THE WRITTEN PERMISSION OF THIS MANUFACTURER. WE ASSUME NO RESPONSIBILITY FOR UNAUTHORIZED USE OF THIS DRAWING. SPORT SYSTEMS CANADA INC. IS NOT RESPONSIBLE FOR LOCAL PERMITS AND OCCUPANCY REQUIREMENTS.



28 Industrial Drive, Box 940  
Almonte, Ontario, Canada  
K0A 1A0

www.ssci.ca  
1.877.600.4667  
T 613.256.1112  
F 613.256.5876

CLIENT  
**SPORT SYSTEMS**

TITLE  
**SURFACE MOUNT BENCH -21'**

REV.	DATE	DWG No:
	2021-03-23	BL-SM-21

SCALE	DES.	PAGE
N.T.S.	BAT	2 OF 2