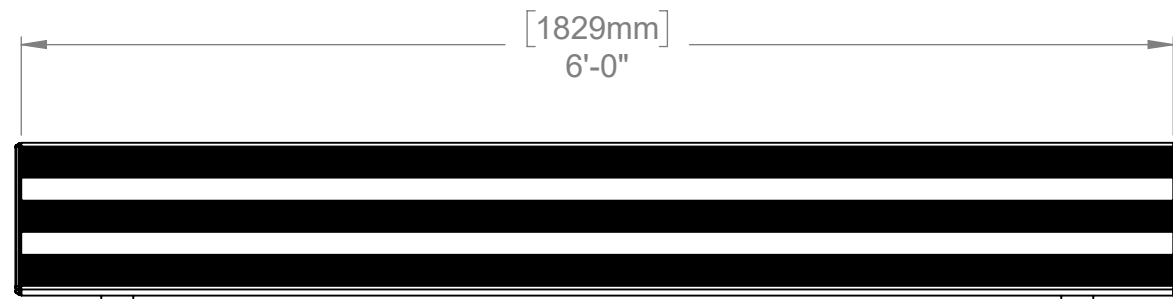


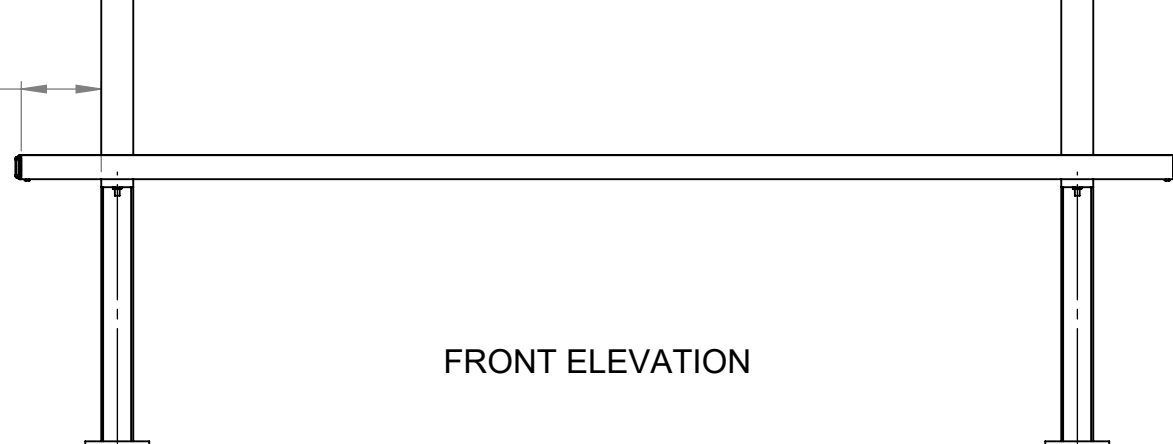


PLAN ELEVATION

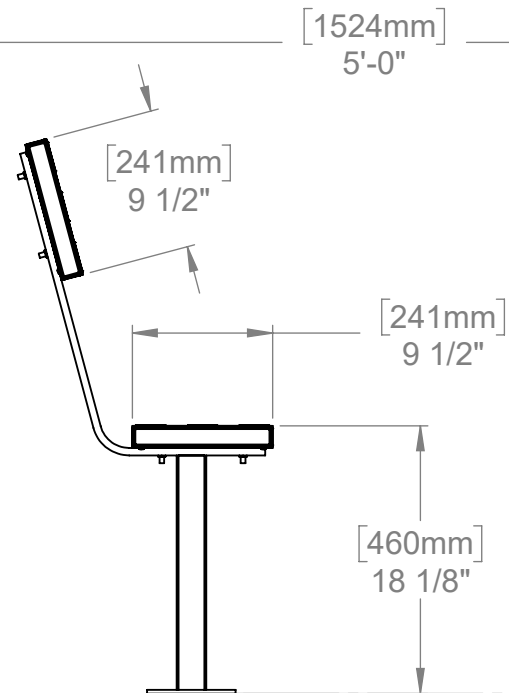


FRONT ELEVATION

[127mm]
5" TYP.



FRONT ELEVATION



LEFT ELEVATION



AL-16723A - SEAT PLANK

BL-EC16723
(MOLDED END-CAP)

HW-R-10000
(3/16" ALUM. RIVET)

DETAIL A
SCALE 1 : 7
END-CAP

BL-20774-A
RETAINER CLIP

HW-B-50005
5/16" x 1-1/4" CARRIAGE BOLT

BL-20774-A
RETAINER CLIP

HW-W-20002
5/16" LOCK WASHER

HW-N-10002
5/16" HEX NUT

BL-SM-BR-04

RECOMMENDED MOUNTING HARDWARE
3/8" X 3" WEDGE BOLT
(SUPPLIED BY OTHERS)

THIS DRAWING AND ALL INFORMATION CONTAINED HEREIN IS THE PROPERTY OF SPORT SYSTEMS CANADA INC. AND IS NOT TO BE REPRODUCED WITHOUT THE WRITTEN PERMISSION OF THIS MANUFACTURER. WE ASSUME NO RESPONSIBILITY FOR UNAUTHORIZED USE OF THIS DRAWING. SPORT SYSTEMS CANADA INC. IS NOT RESPONSIBLE FOR LOCAL PERMITS AND OCCUPANCY REQUIREMENTS.



28 Industrial Drive, Box 940
Almonte, Ontario, Canada
K0A 1A0

www.ssci.ca
1.877.600.4667
T 613.256.1112
F 613.256.5876

CLIENT
SPORT SYSTEMS

TITLE
BL-SURFACE MOUNT- BACKREST - 6'

REV.	DATE	DWG No.
	2021/10/29	BL-SM-6BR

SCALE	DES.	PAGE
N.T.S.	BAT	1 OF 2

ITEM NO.	PART NUMBER	DESCRIPTION	QTY.
1	AL-16723A-6	2" X 10" NOMINAL BLEACHER PLANK ANODIZED FINISH - 6'-0"	2
2	BL-20774	RETAINER CLIP - ALUMINUM	8
3	BL-EC16723	MOLDED END CAP-INSERT-BLACK POLYCARBONATE	4
4	BL-SM-BR-04	BLEACHER, SURFACE MOUNT WITH BACK REST	2
5	HW-B-50005	5/16" x 1-1/4" HDG, GR 2 CARRIAGE BOLT	8
6	HW-N-10002	5/16" HDG. GR,2 HEX NUT	8
7	HW-R-10000	ALUMINUM POP RIVET 3/16" x 0.251-0.375	8
8	HW-W-20002	5/16" LOCK WASHER, HDG.	8

THIS DRAWING AND ALL INFORMATION CONTAINED HEREIN IS THE PROPERTY OF SPORT SYSTEMS CANADA INC. AND IS NOT TO BE REPRODUCED WITHOUT THE WRITTEN PERMISSION OF THIS MANUFACTURER. WE ASSUME NO RESPONSIBILITY FOR UNAUTHORIZED USE OF THIS DRAWING. SPORT SYSTEMS CANADA INC. IS NOT RESPONSIBLE FOR LOCAL PERMITS AND OCCUPANCY REQUIREMENTS.



28 Industrial Drive, Box 940
Almonte, Ontario, Canada
K0A 1A0

www.ssci.ca
1.877.600.4667
T 613.256.1112
F 613.256.5876

CLIENT
SPORT SYSTEMS

TITLE
BL-SURFACE MOUNT- BACKREST - 6'

REV.	DATE	DWG No:
	2021/10/29	BL-SM-6BR

SCALE	DES.	PAGE
N.T.S.	BAT	2 OF 2