

STRINGER PLACEMENT

THIS DRAWING AND ALL INFORMATION CONTAINED HEREIN IS THE PROPERTY OF SPORT SYSTEMS CANADA INC. AND IS NOT TO BE REPRODUCED WITHOUT THE WRITTEN PERMISSION OF THIS MANUFACTURER. WE ASSUME NO RESPONSIBILITY FOR UNAUTHORIZED USE OF THIS DRAWING. SPORT SYSTEMS CANADA INC. IS NOT RESPONSIBLE FOR LOCAL PERMITS AND OCCUPANCY REQUIREMENTS.



Building a Better Game

28 Industrial Drive, Box 940  
Almonte, Ontario, Canada  
K0A 1A0

www.ssci.ca  
1.877.600.4667  
T 613.256.1112  
F 613.256.5876

CLIENT

S.S.C.I.

TITLE

TOWING KIT 5TB 15ft. BLEACHER  
INSTALLATION INSTRUCTIONS

REV.	DATE	DWG No:
01	AUG.10/2016	BL-5TB-15TK

SCALE	DES.	PAGE
N.T.S.	John Cox	1 of 7

ITEM NO.	PART NUMBER	DESCRIPTION	QTY.	COMPONENT REFERENCE
1	BL-5TB-C-STRINGER	STEEL BLEACHER STRINGER (MODIFIED)	2	
2	BL-5TB-B-STRINGER	STEEL BLEACHER STRINGER (MODIFIED)	1	
3	BL-FB-145.5	FRONT BRACE 2" x 3" x 1/4"	2	
4	BL-TBR-152.5	TOW BAR RECIEVER 2-1/2" x 2-1/2" x 3/16" x 152-1/2"	1	
5	ST-A-10002	TOW BAR STRINGER MOUNTS	3	
6	BL-AH-107	AXLE HOUSING 1-1/2" x 1-1/2" x 3/16" x 107"	1	
7	BL-TB-122	TOW BAR	1	
8	HW-38-26LP	3/8" x 3" LOCK PIN,SQUARE WIRE ZINC PLATED	6	
9	HW-N-2000-Z	1/2" SERRATED FLANGE NUT ZINC PLATED	2	
10	HW-2080000	1250 4-Bolt High Speed Trailer Stub Axle	2	
11	HW-4200048	2" COUPLER	1	
12	ST-JB-12	1-1/2" x 2" x 3/16" x 12" JACK BRACKET	1	
13	ISO 8676 - M12x1.5 x 25-C	BOLTS SUPPLIED WITH ITEM 9 STUB AXLE	8	
14	HW-W-30000	3/8" FLAT WASHER 1" OD	6	QTY. PER BLEACHER
15	HW-B-40000	GR 5 Hex Mech Galv 3/8" x 1-1/4"	4	QTY. PER BLEACHER
16	HW-N-10000	3/8" SERRATED FLANGE NUT MECH. GALV.	16	QTY. PER BLEACHER
17	HW-B-40001	GR5 HEX MECH GALV. 3/8" x 3"	6	
18	HW-B-40002	GR5 HEX MECH GALV. 3/8" x 2-1/2"	6	QTY. PER BLEACHER
19	HW-B-075-589PAP	1/2-12 x 2-3/4" GR5 BOLT	2	
20	HW-2026755	RIM & TIRE ASSEMBLY	2	
21	HW-805505	TOP CRANK HANDLE JACK	1	
22	HW-8049364	TRAILER HITCH BALL MOUNT CLASS 3 6" x 4-3/4" BALL MOUNT 6" DROP	1	
23	HW-8194243	2" TRAILER HITCH BALL	1	

**NOTE: HARDWARE QUANTITIES**

WERE QTY. PER BLEACHER IS INDICATED QUANTITIES MUST BE ALTERED AS PER BLEACHER QUANTITY ORDERED

THIS DRAWING AND ALL INFORMATION CONTAINED HEREIN IS THE PROPERTY OF SPORT SYSTEMS CANADA INC. AND IS NOT TO BE REPRODUCED WITHOUT THE WRITTEN PERMISSION OF THIS MANUFACTURER. WE ASSUME NO RESPONSIBILITY FOR UNAUTHORIZED USE OF THIS DRAWING. SPORT SYSTEMS CANADA INC. IS NOT RESPONSIBLE FOR LOCAL PERMITS AND OCCUPANCY REQUIREMENTS.



Building a Better Game

28 Industrial Drive, Box 940  
Almonte, Ontario, Canada  
K0A 1A0

www.ssci.ca  
1.877.600.4667  
T 613.256.1112  
F 613.256.5876

CLIENT

**S.S.C.I.**

TITLE

**TOWING KIT 5TB 15ft. BLEACHER  
INSTALLATION INSTRUCTIONS**

REV.	DATE	DWG No:
01	AUG.10/2016	BL-5TB-15TK

SCALE	DES.	PAGE
N.T.S.	John Cox	2 of 7

NOTES:

SEE SHEET 2 FOR BALLOON ITEMS AND QUANTITIES

# HARDWARE



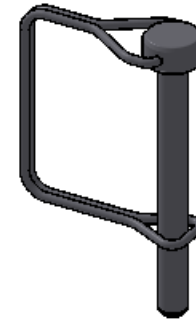
9 HW-N-2000-Z



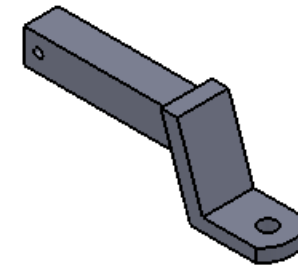
16 HW-N-10000



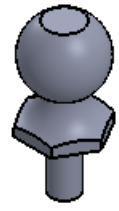
14 HW-W-30000



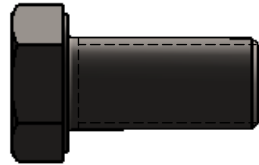
8 HW-38-26LP



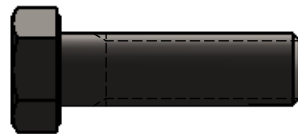
22 HW-8049364



23 HW-8194243



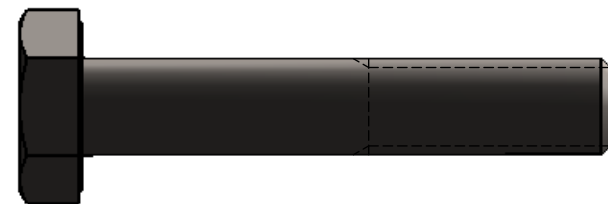
13 ISO 8676-M12 x 1.5 x 25-C



15 HW-B-40000



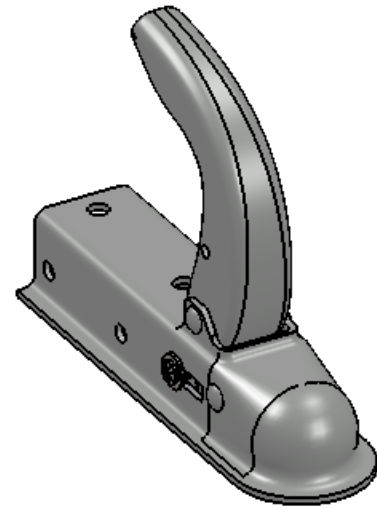
18 HW-B-40002



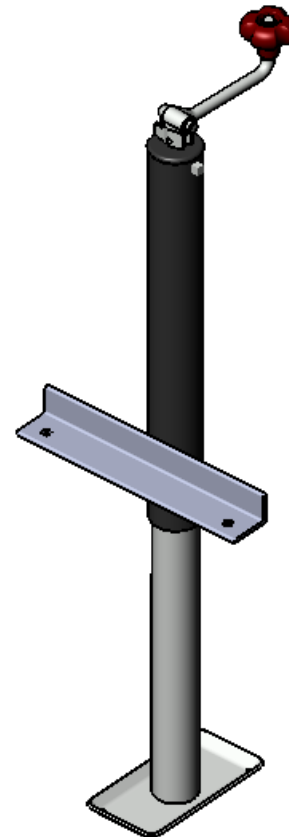
19 HW-B-075-589PAP



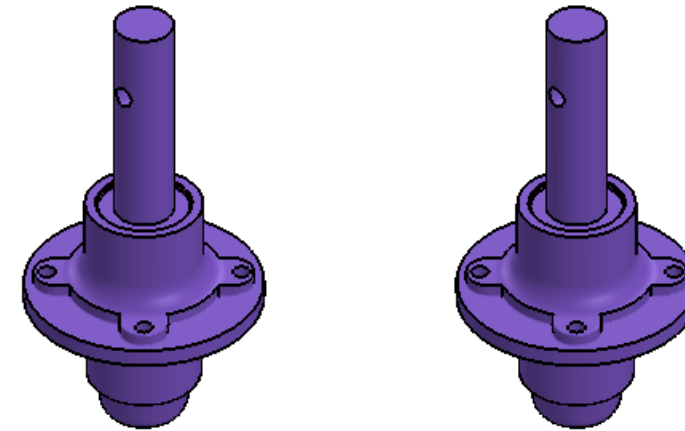
17 HW-B-40001



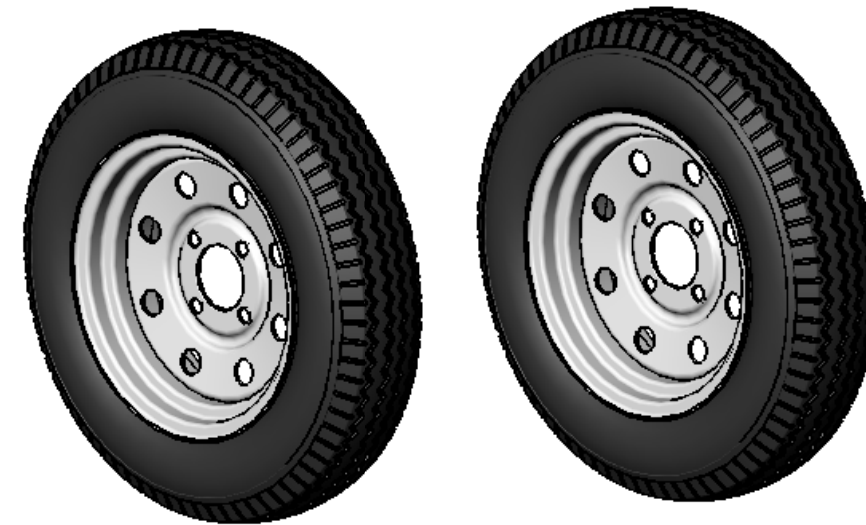
11 HW-4200048



21 HW-805505  
TOP CRANK HANDLE JACK



10 HW-2080000



20 HW-206755

THIS DRAWING AND ALL INFORMATION CONTAINED HEREIN IS THE PROPERTY OF SPORT SYSTEMS CANADA INC. AND IS NOT TO BE REPRODUCED WITHOUT THE WRITTEN PERMISSION OF THIS MANUFACTURER. WE ASSUME NO RESPONSIBILITY FOR UNAUTHORIZED USE OF THIS DRAWING. SPORT SYSTEMS CANADA INC. IS NOT RESPONSIBLE FOR LOCAL PERMITS AND OCCUPANCY REQUIREMENTS.



Building a Better Game

28 Industrial Drive, Box 940  
Almonte, Ontario, Canada  
K0A 1A0

www.ssci.ca  
1.877.600.4667  
T 613.256.1112  
F 613.256.5876

CLIENT

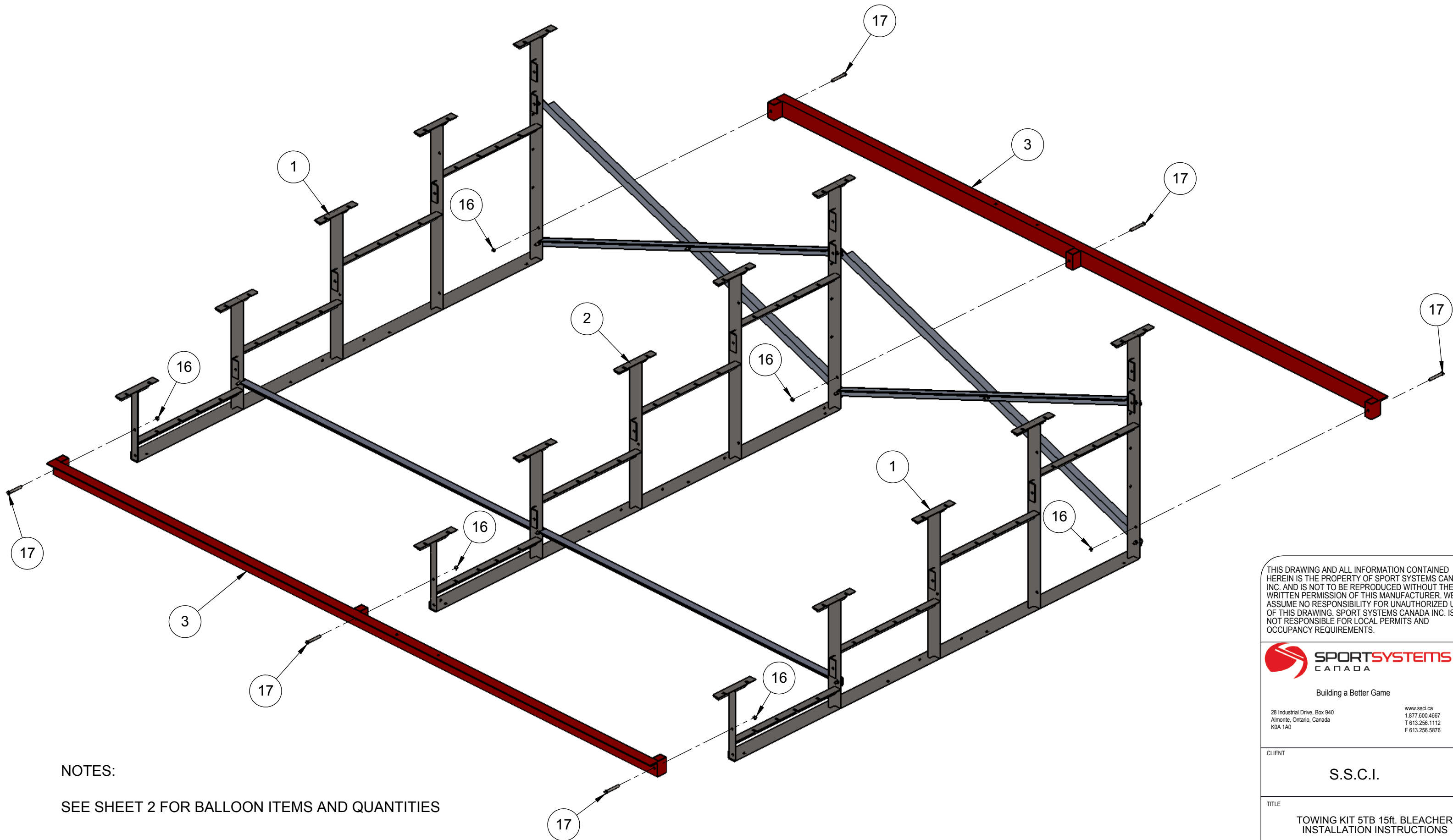
S.S.C.I.

TITLE

TOWING KIT 5TB 15ft. BLEACHER  
INSTALLATION INSTRUCTIONS

REV.	DATE	DWG No.
01	AUG.10/2016	BL-5TB-15TK

SCALE	DES.	PAGE
N.T.S.	John Cox	3 of 7



NOTES:

SEE SHEET 2 FOR BALLOON ITEMS AND QUANTITIES

THIS DRAWING AND ALL INFORMATION CONTAINED HEREIN IS THE PROPERTY OF SPORT SYSTEMS CANADA INC. AND IS NOT TO BE REPRODUCED WITHOUT THE WRITTEN PERMISSION OF THIS MANUFACTURER. WE ASSUME NO RESPONSIBILITY FOR UNAUTHORIZED USE OF THIS DRAWING. SPORT SYSTEMS CANADA INC. IS NOT RESPONSIBLE FOR LOCAL PERMITS AND OCCUPANCY REQUIREMENTS.



Building a Better Game

28 Industrial Drive, Box 940  
Almonte, Ontario, Canada  
K0A 1A0

www.ssci.ca  
1.877.600.4667  
T 613.256.1112  
F 613.256.5876

CLIENT

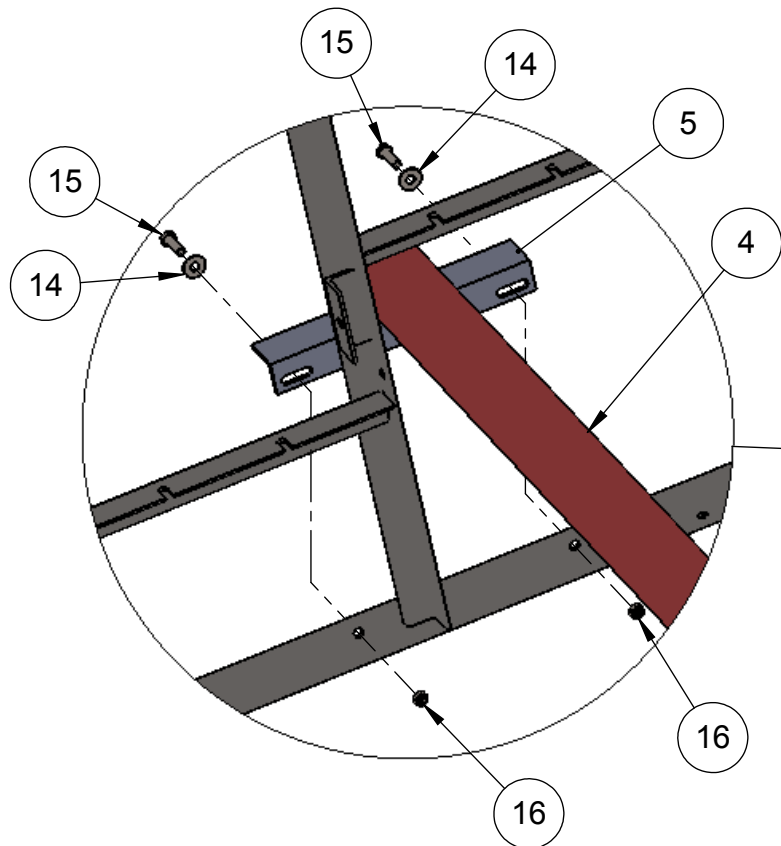
S.S.C.I.

TITLE

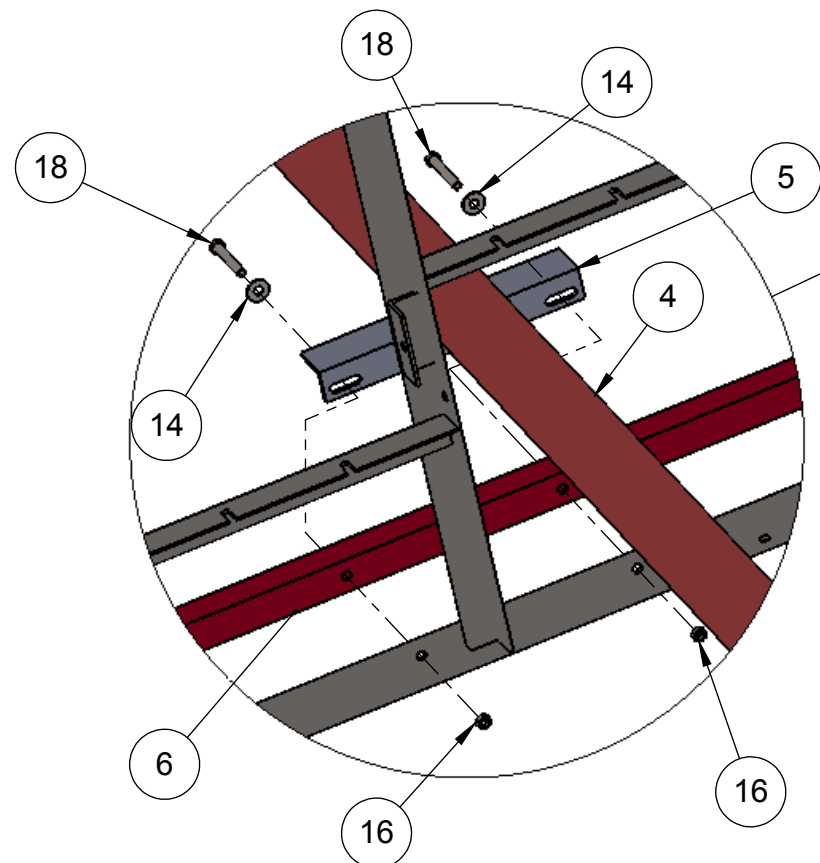
TOWING KIT 5TB 15ft. BLEACHER  
INSTALLATION INSTRUCTIONS

REV. 01	DATE AUG.10/2016	DWG No: BL-5TB-15TK
------------	---------------------	------------------------

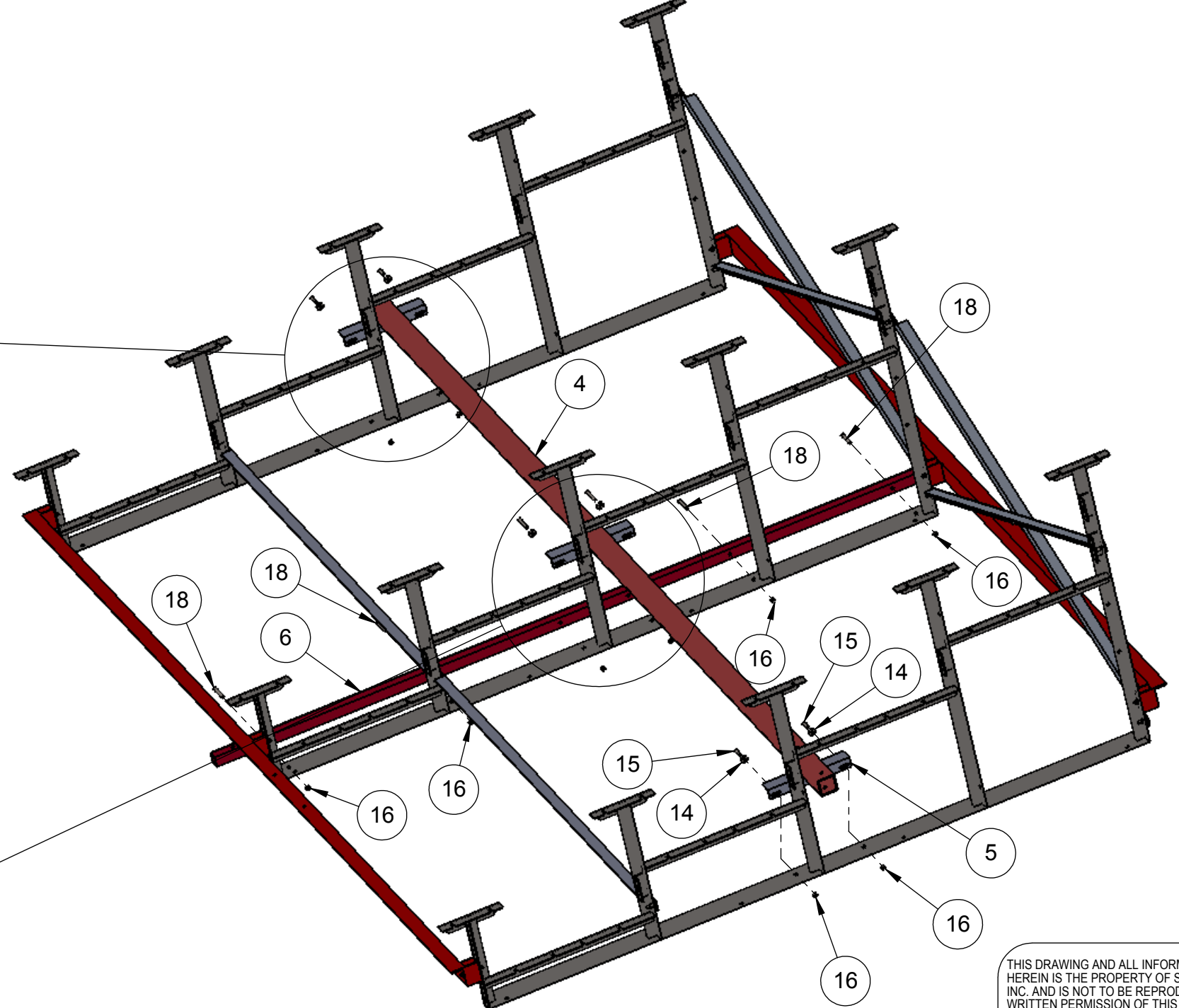
SCALE N.T.S.	DES. John Cox	PAGE 4 of 7
-----------------	------------------	----------------



DETAIL: REAR AXLE HOUSING AND TOW BAR RECEIVER  
SCALE: 1:6 MOUNT  
SCALE 1 : 8



DETAIL: CENTRE MOUNT AXLE HOUSING AND TOW BAR RECEIVER  
SCALE 1 : 8



NOTES:

SEE SHEET 2 FOR BALLOON ITEMS AND QUANTITIES

THIS DRAWING AND ALL INFORMATION CONTAINED HEREIN IS THE PROPERTY OF SPORT SYSTEMS CANADA INC. AND IS NOT TO BE REPRODUCED WITHOUT THE WRITTEN PERMISSION OF THIS MANUFACTURER. WE ASSUME NO RESPONSIBILITY FOR UNAUTHORIZED USE OF THIS DRAWING. SPORT SYSTEMS CANADA INC. IS NOT RESPONSIBLE FOR LOCAL PERMITS AND OCCUPANCY REQUIREMENTS.



Building a Better Game

28 Industrial Drive, Box 940  
Almonte, Ontario, Canada  
K0A 1A0

www.ssci.ca  
1.877.600.4667  
T 613.256.1112  
F 613.256.5876

CLIENT

S.S.C.I.

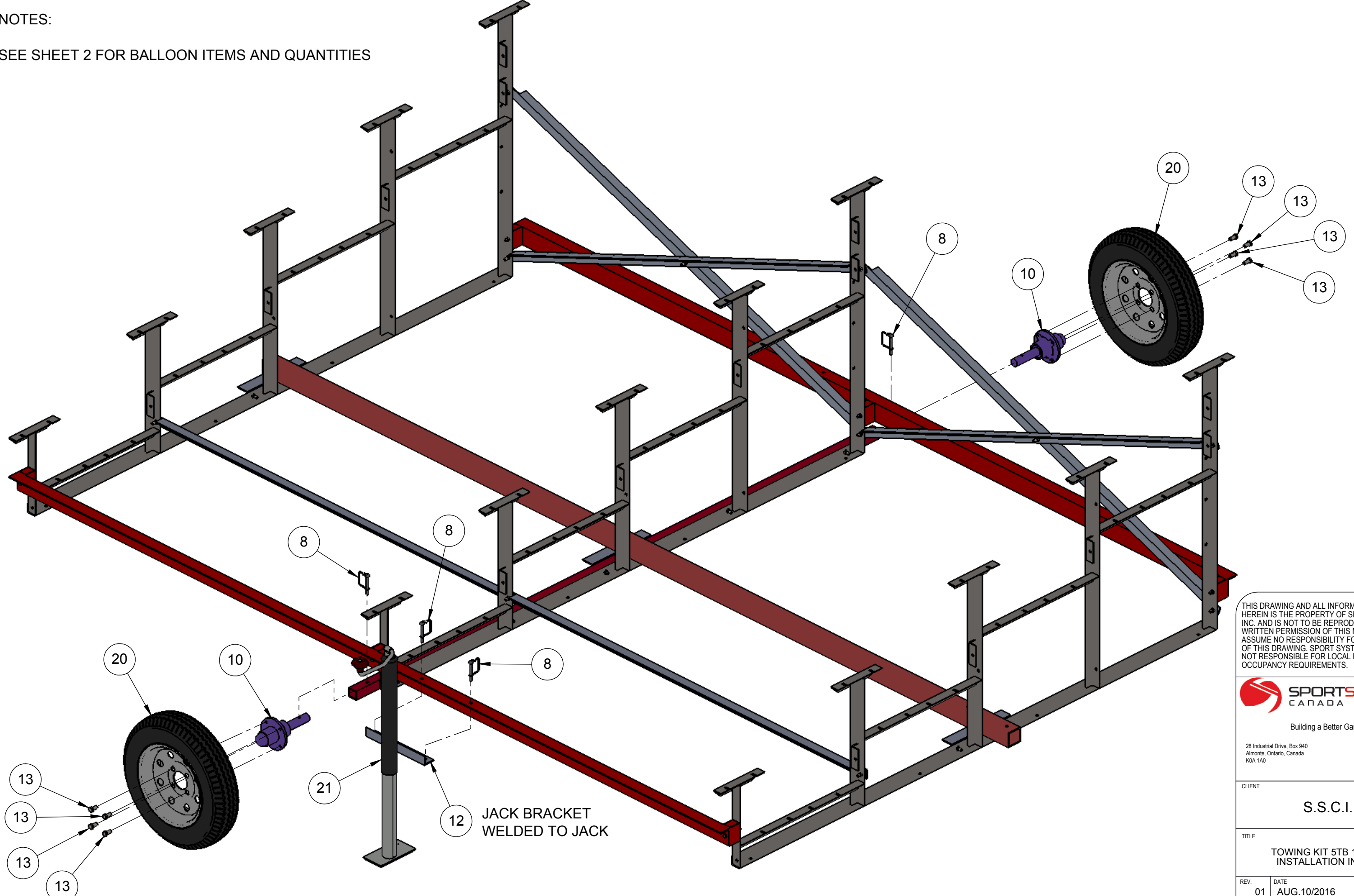
TITLE

TOWING KIT 5TB 15ft. BLEACHER  
INSTALLATION INSTRUCTIONS

REV.	DATE	DWG No:
01	AUG.10/2016	BL-5TB-15TK
SCALE	DES.	PAGE
N.T.S.	John Cox	5 of 7

NOTES:

SEE SHEET 2 FOR BALLOON ITEMS AND QUANTITIES



THIS DRAWING AND ALL INFORMATION CONTAINED HEREIN IS THE PROPERTY OF SPORT SYSTEMS CANADA INC. AND IS NOT TO BE REPRODUCED WITHOUT THE WRITTEN PERMISSION OF THIS MANUFACTURER. WE ASSUME NO RESPONSIBILITY FOR UNAUTHORIZED USE OF THIS DRAWING. SPORT SYSTEMS CANADA INC. IS NOT RESPONSIBLE FOR LOCAL PERMITS AND OCCUPANCY REQUIREMENTS.



Building a Better Game

28 Industrial Drive, Box 940  
Almonte, Ontario, Canada  
K0A 1A0

www.ssci.ca  
1.877.600.4667  
T 613.256.1112  
F 613.256.5876

CLIENT

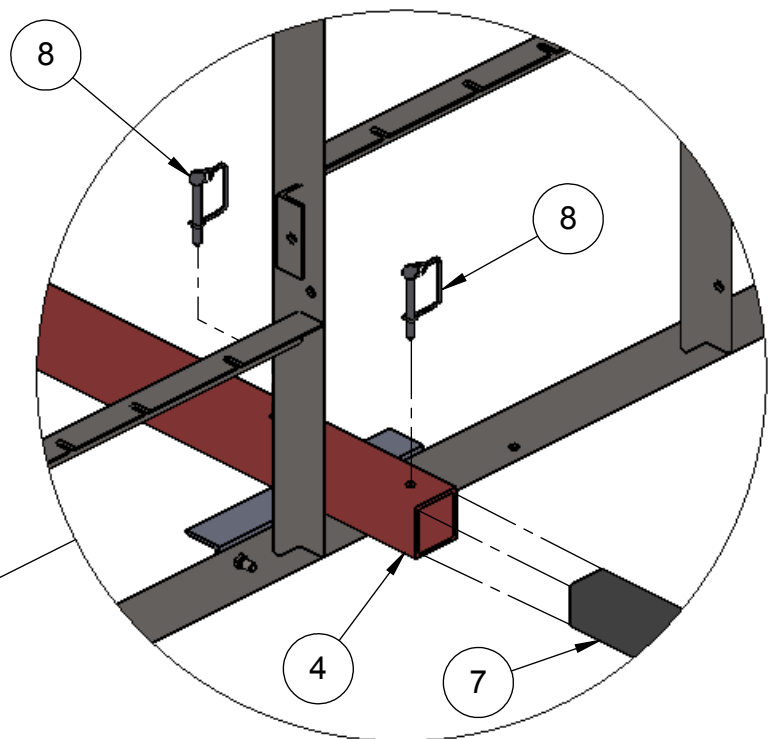
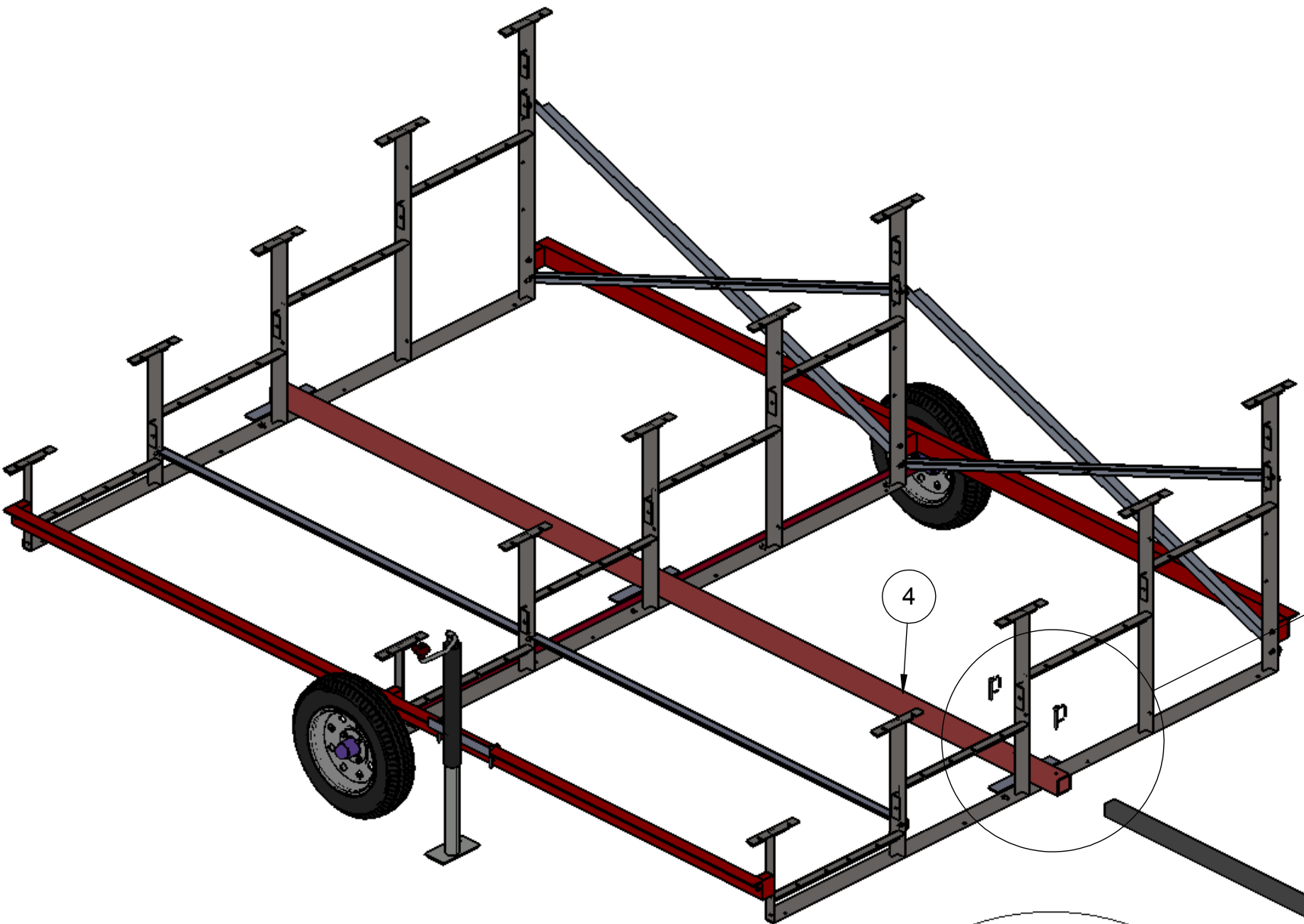
S.S.C.I.

TITLE

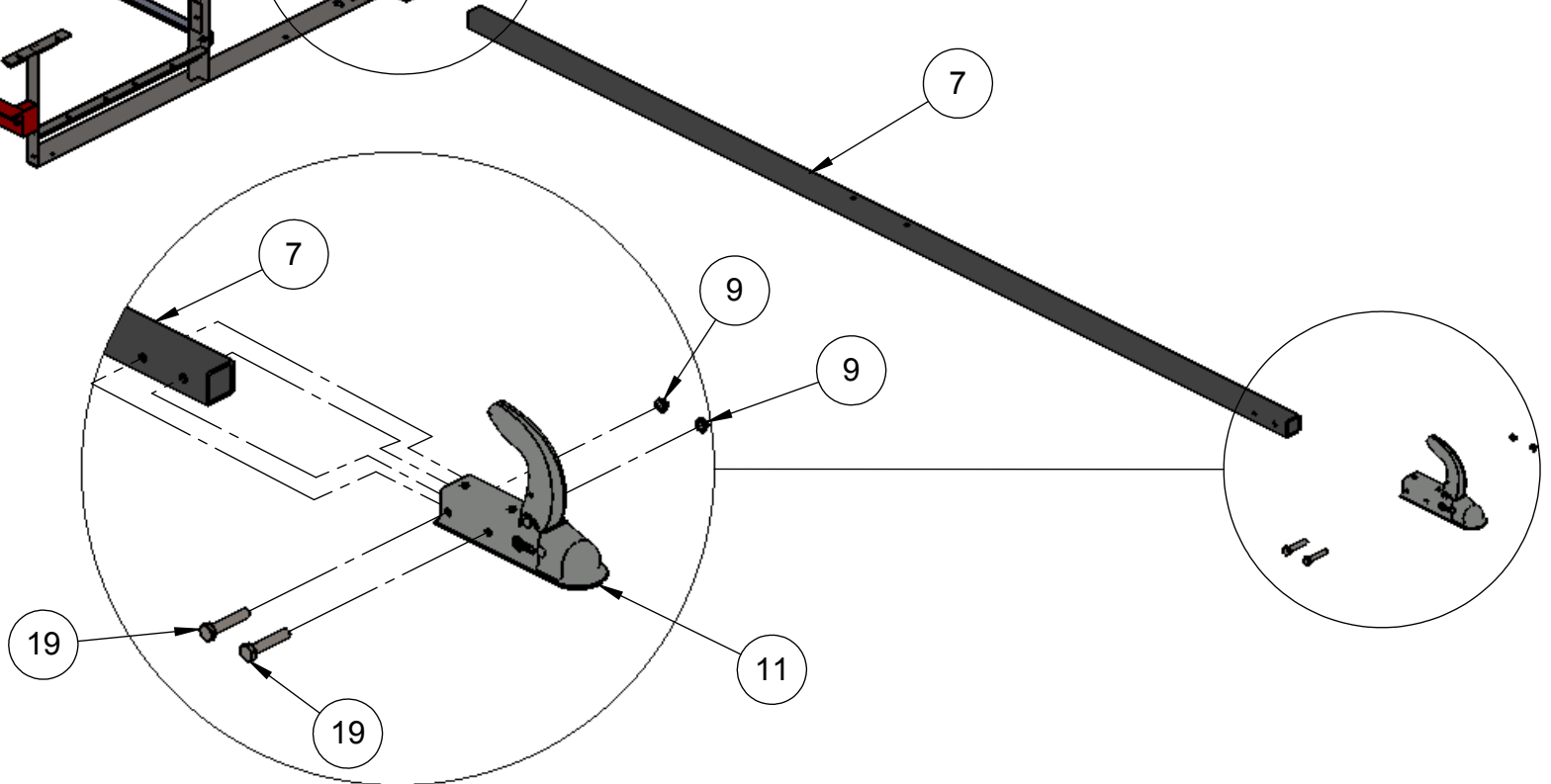
TOWING KIT 5TB 15ft. BLEACHER  
INSTALLATION INSTRUCTIONS

REV.	DATE	DWG No:
01	AUG.10/2016	BL-5TB-15TK

SCALE	DES.	PAGE
N.T.S.	John Cox	6 of 7



DETAIL: TOW BAR ASSEMBLY  
SCALE: 1:8



DETAIL: COUPLER ASSEMBLY

NOTES:  
SEE SHEET 2 FOR BALLOON ITEMS AND QUANTITIES

THIS DRAWING AND ALL INFORMATION CONTAINED HEREIN IS THE PROPERTY OF SPORT SYSTEMS CANADA INC. AND IS NOT TO BE REPRODUCED WITHOUT THE WRITTEN PERMISSION OF THIS MANUFACTURER. WE ASSUME NO RESPONSIBILITY FOR UNAUTHORIZED USE OF THIS DRAWING. SPORT SYSTEMS CANADA INC. IS NOT RESPONSIBLE FOR LOCAL PERMITS AND OCCUPANCY REQUIREMENTS.



Building a Better Game

28 Industrial Drive, Box 940  
Almonte, Ontario, Canada  
K0A 1A0

www.ssci.ca  
1.877.600.4667  
T 613.256.1112  
F 613.256.5876

CLIENT  
**S.S.C.I.**

TITLE  
**TOWING KIT 5TB 15ft. BLEACHER  
INSTALLATION INSTRUCTIONS**

REV. <b>01</b>	DATE <b>AUG.10/2016</b>	DWG No: <b>BL-5TB-15TK</b>
-------------------	----------------------------	-------------------------------

SCALE <b>N.T.S.</b>	DES. <b>John Cox</b>	PAGE <b>7 of 7</b>
------------------------	-------------------------	-----------------------