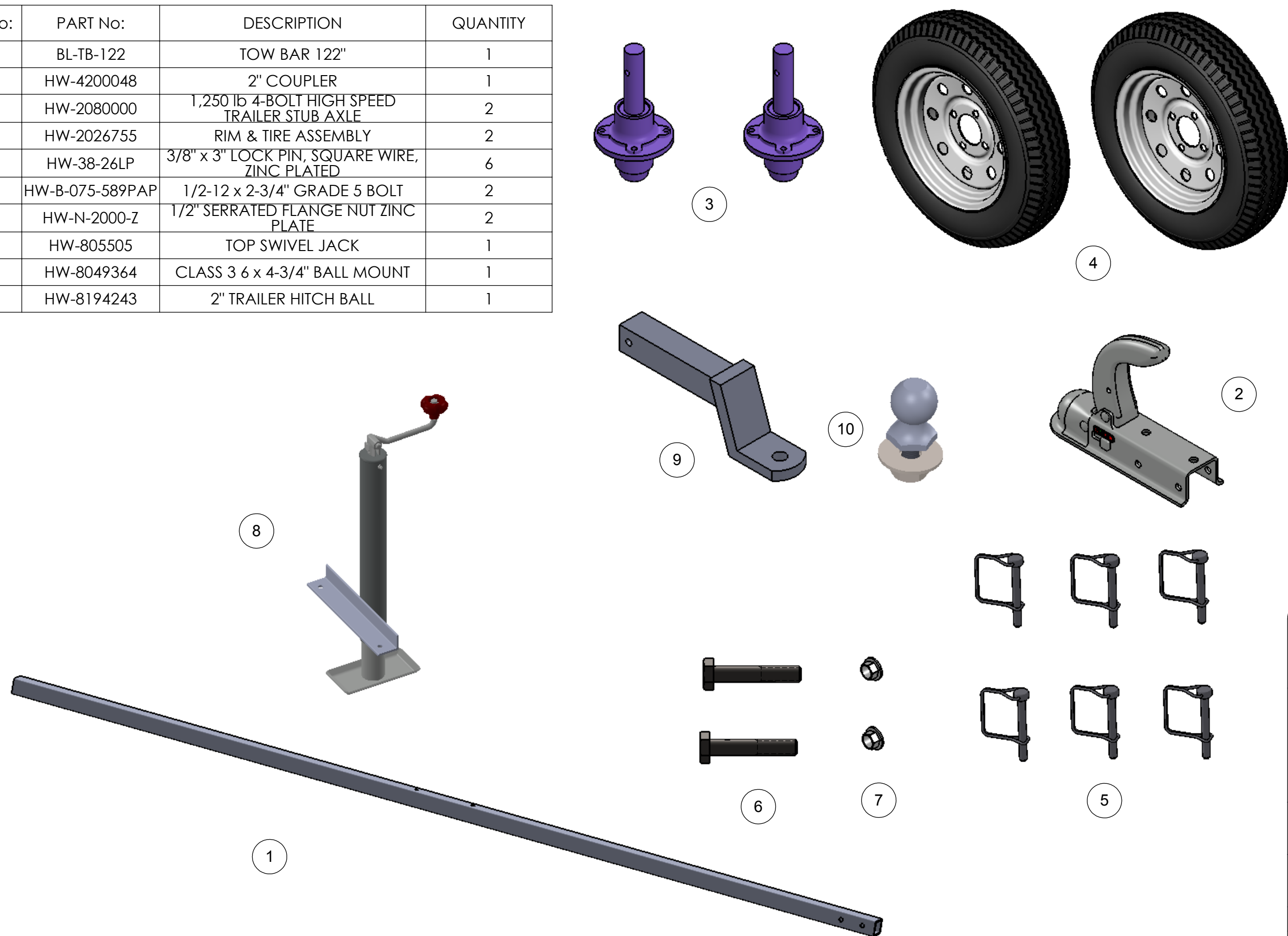


ITEM No:	PART No:	DESCRIPTION	QUANTITY
1	BL-TB-122	TOW BAR 122"	1
2	HW-4200048	2" COUPLER	1
3	HW-2080000	1,250 lb 4-BOLT HIGH SPEED TRAILER STUB AXLE	2
4	HW-2026755	RIM & TIRE ASSEMBLY	2
5	HW-38-26LP	3/8" x 3" LOCK PIN, SQUARE WIRE, ZINC PLATED	6
6	HW-B-075-589PAP	1/2-12 x 2-3/4" GRADE 5 BOLT	2
7	HW-N-2000-Z	1/2" SERRATED FLANGE NUT ZINC PLATE	2
8	HW-805505	TOP SWIVEL JACK	1
9	HW-8049364	CLASS 3 6 x 4-3/4" BALL MOUNT	1
10	HW-8194243	2" TRAILER HITCH BALL	1



THIS DRAWING AND ALL INFORMATION CONTAINED HEREIN IS THE PROPERTY OF SPORT SYSTEMS CANADA INC. AND IS NOT TO BE REPRODUCED WITHOUT THE WRITTEN PERMISSION OF THIS MANUFACTURER. WE ASSUME NO RESPONSIBILITY FOR UNAUTHORIZED USE OF THIS DRAWING. SPORT SYSTEMS CANADA INC. IS NOT RESPONSIBLE FOR LOCAL PERMITS AND OCCUPANCY REQUIREMENTS.



Building a Better Game

28 Industrial Drive, Box 940
Almonte, Ontario, Canada
K0A 1A0

www.ssci.ca
1.877.600.4667
T 613.256.1112
F 613.256.5876

CLIENT

S.S.C.I.

TITLE

WHEEL AND TONGUE KIT

REV.	DATE	DWG No:
01	May 28/2014	BL-WTK-21

SCALE	DES.	PAGE
N.T.S.	John Cox	1 of 1