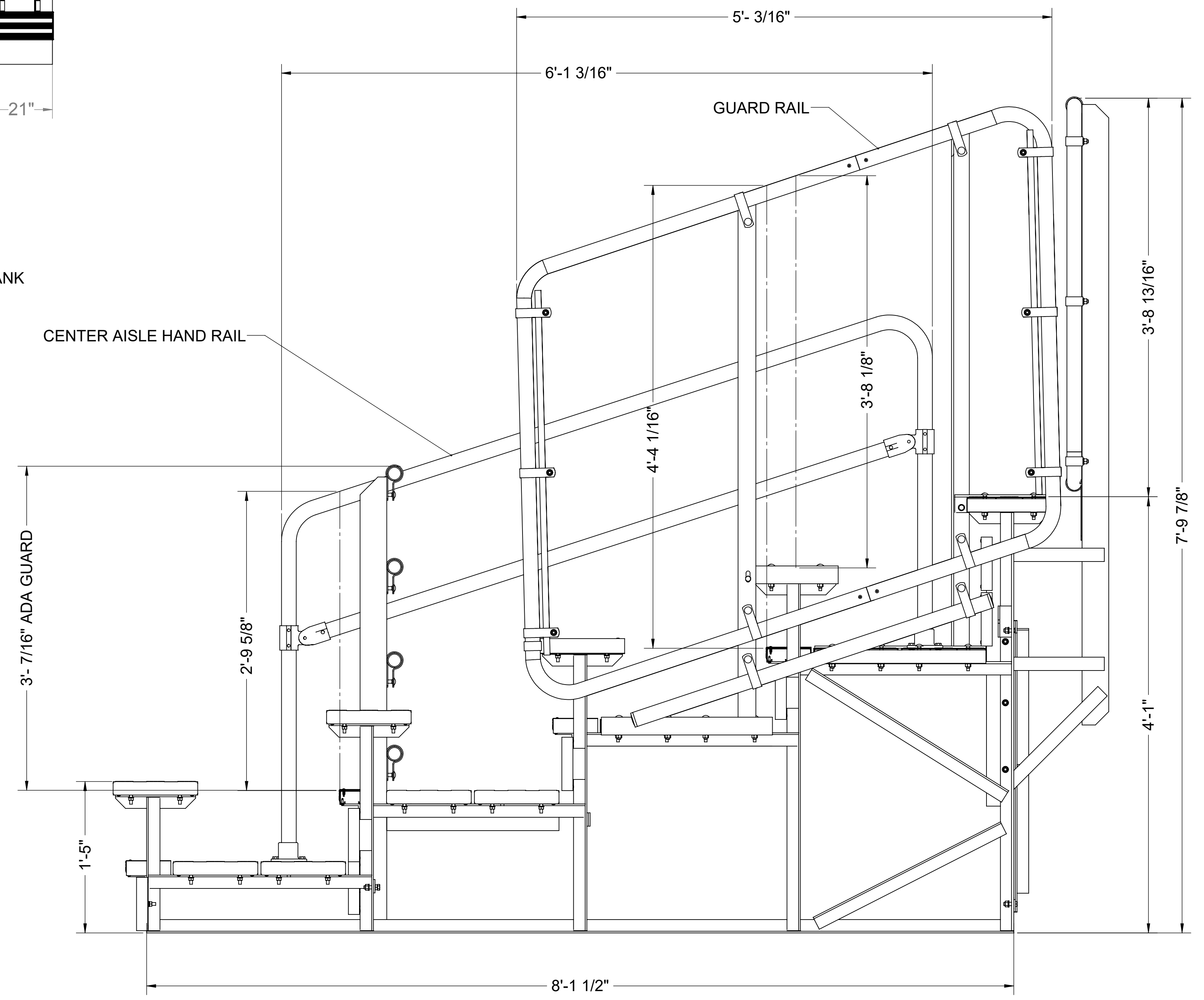
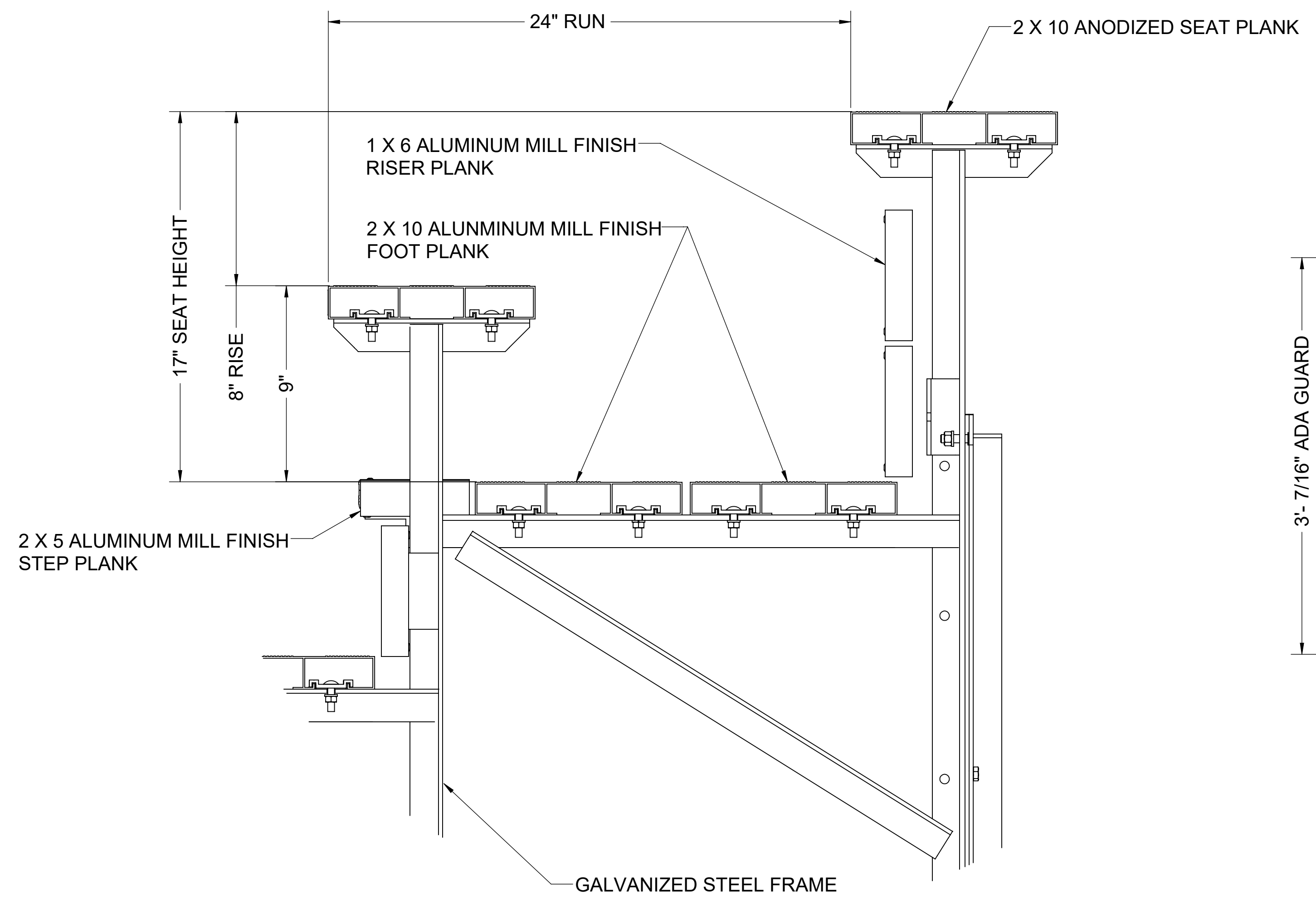
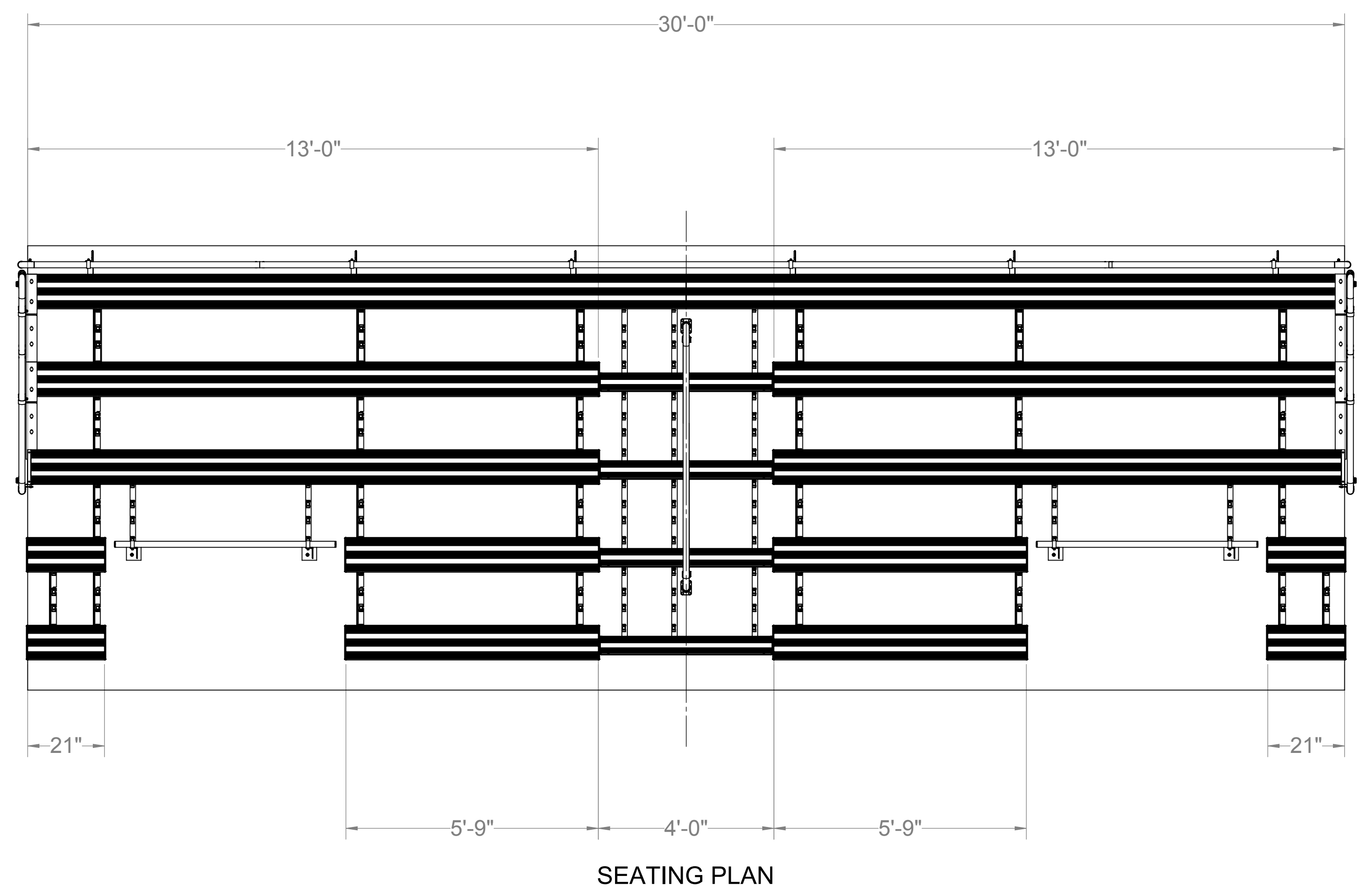


REVISIONS			
REV.	DESCRIPTION	DATE	APPROVED

BENCH SEATS @ 18" PER SEAT = 62



THIS DRAWING AND ALL INFORMATION CONTAINED HEREIN IS THE PROPERTY OF SPORT SYSTEMS CANADA INC. AND IS NOT TO BE REPRODUCED WITHOUT THE WRITTEN PERMISSION OF THIS MANUFACTURER. WE ASSUME NO RESPONSIBILITY FOR UNAUTHORIZED USE OF THIS DRAWING. SPORT SYSTEMS CANADA INC. IS NOT RESPONSIBLE FOR LOCAL PERMITS AND OCCUPANCY REQUIREMENTS.

**SPORT SYSTEMS**  
BUILDING A BETTER GAME

30 Industrial Drive, Box 980  
Aurora, Ontario, Canada  
G2A 4A0

www.ssc.ca  
1-877-666-6667  
719-226-1112  
F 913-226-5678

CLIENT: SPORTS SYSTEMS

TITLE: 5 TIER BLEACHER 30FT. - 8" RISE 24" RUN DOUBLE FOOT BOARD WITH STAIR AISLE AND ADA

REV	DATE	DWG NO
0	2025-07-30	BL-STB-30-4ADA-8-24
SCALE	DES	PAGE
N.T.S	DH	1 OF 1